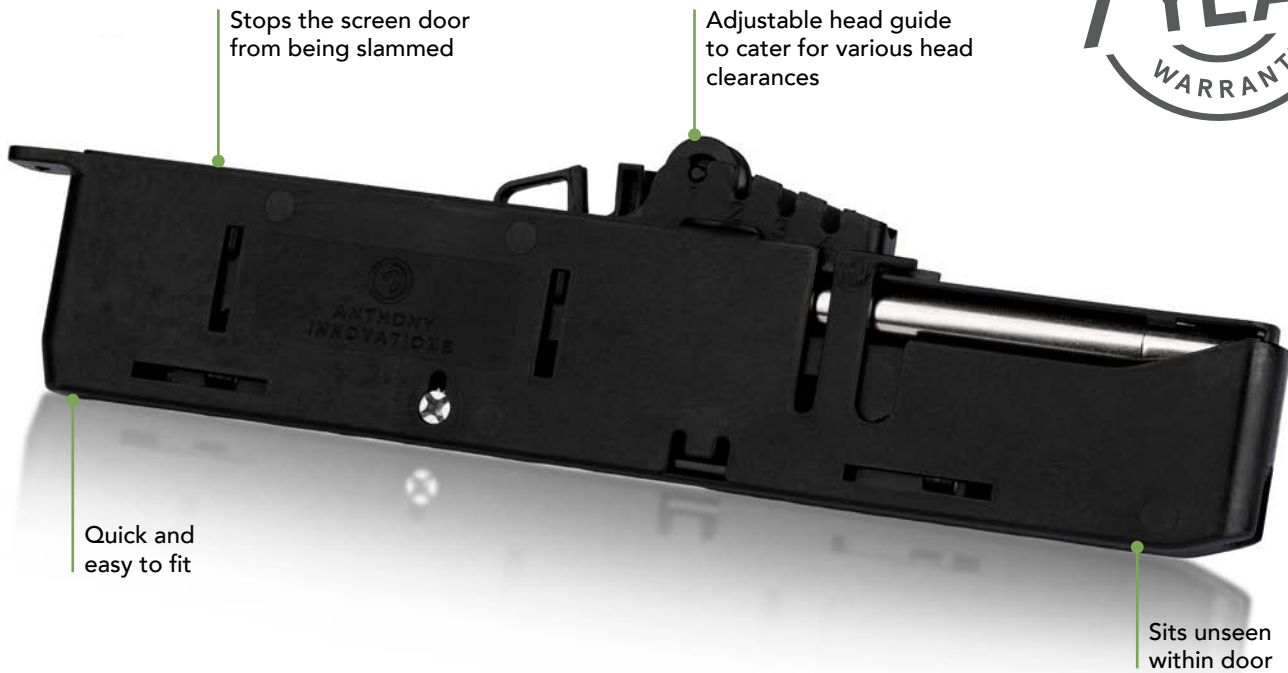


Alspec Screen Door Soft Closer

Stop your security doors from slamming!

proudly partnered with



Features

- Now includes 3 striker sizes to accommodate various head track clearances
- Fits all Alspec sliding security door sections
- Utilises standard lock punch tooling
- Non-intrusive mounting sits unseen within door extrusion
- Soft close to prevent injury to hands and protect other hardware by reducing regular shock impact
- Greatly reduces noise when firmly closing the door

Pack Includes:

- KWIKfit™ Soft Closer
- 3x Strikers
- 3x Alspec Offset Security Door Rollers SS 40kg (1311905)
- 3x set of Head Guides



Order Number

1311906 ALSPEC SECURITY DOOR SOFT CLOSER SC3250PK

Alspec Screen Door Soft Closer

Assembly Detail

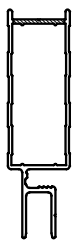
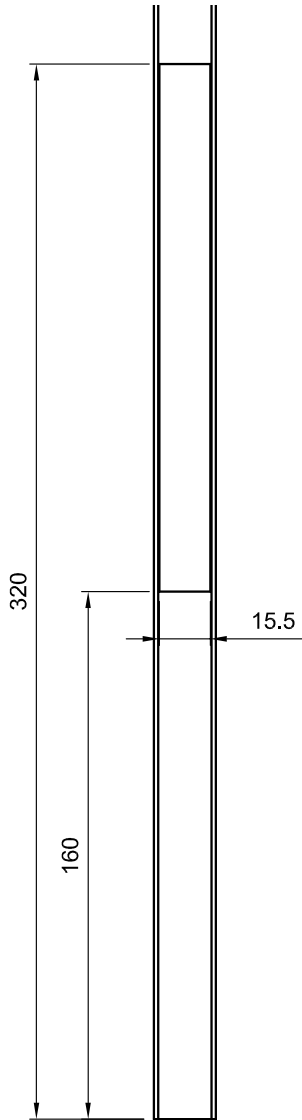
proudly partnered with



MACHINING - CLOSER BODY

Machined on top rail lock end only

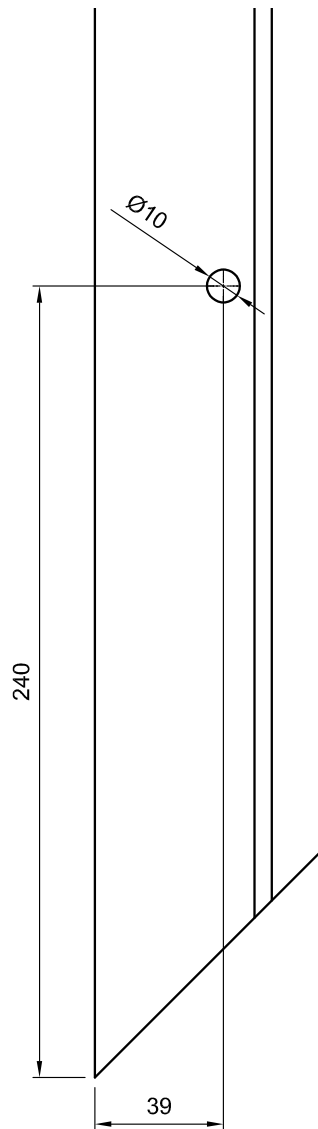
Existing screen door lock punch can be used to machine this detail.



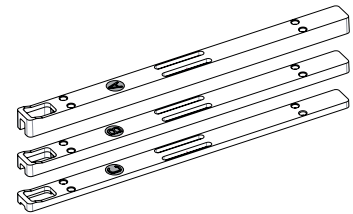
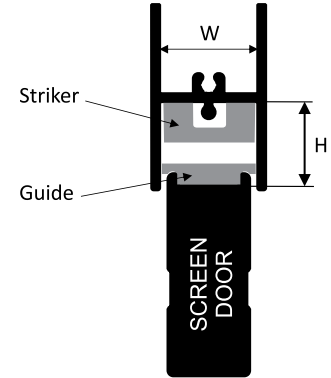
MACHINING - ROLLER ADJUSTMENT SCREW

Machined on top rail lock end, inside face only

Existing screen door roller punch can be used to machine this detail.



STRIKER PLATE SELECTION



DIMENSION (H)	STRIKER SELECTION
9-12mm	A
11-16mm	B
15-19mm	C

See the product in action!
Scan the QR Code below:



SD9 door frame shown, can be used on other Alspec security door sections.
Contact your local Alspec Area Manager for more information