

MCCALLUM HINGE CONCEALED FIXINGS

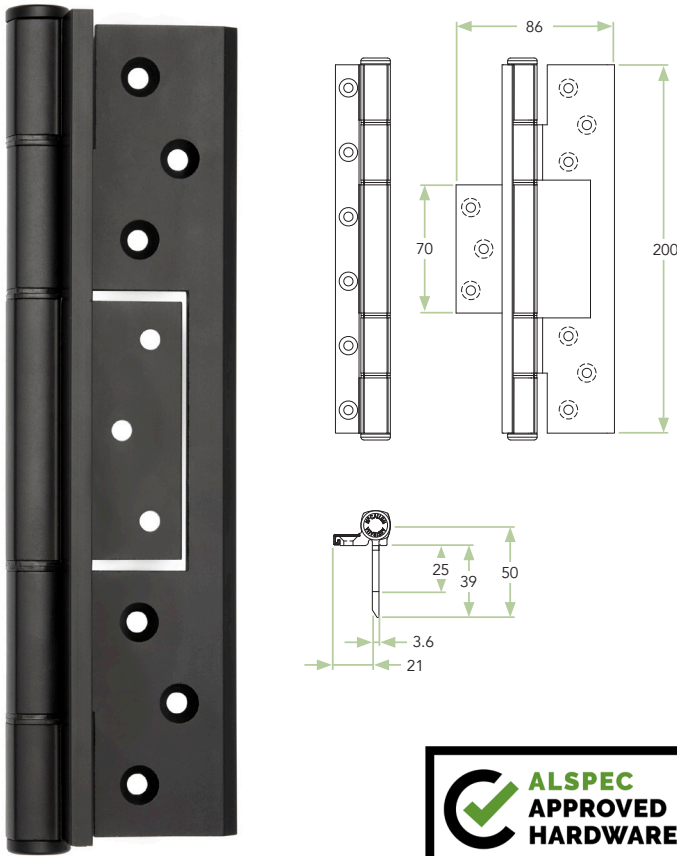
A20040 FRAME FOLD INTERFOLD HINGE

proudly partnered with



Quality Hinges Since 1939

The A20040 Aluminium Interfold hinge has primarily been designed for larger & heavier doors. A unique five-knuckle design for enhanced strength and durability, while improving the aesthetics via a cover plate concealing the frame-fold face fixing screws.



ORDER NUMBERS

| | |
|---------|--|
| 1374054 | A20040 ALUMINIUM INTERFOLD HINGE 200mm CONCEALED FIXING SNA |
| 1374055 | A20040 ALUMINIUM INTERFOLD HINGE 200mm CONCEALED FIXING BLK |

FEATURES

- Material: High strength Aluminium Alloy T6
- Hinge Pin: 6mm Diameter 304 grade Stainless Steel
- Bushes: Flanged Nylon
- Endcaps: Aluminium Pressed Interference fit
- Fastening screws supplied: 10G x 12mm 304SS undercut countersunk self-tapping Phillips drive screw
- Face Fix: Concealed Wrap-around face fixing to door frame
- Max Panel Weight: 130kg's – 3 Hinges

COMPATIBLE ALSPEC SECTIONS

