

Inspired by the sharp lines of Mount Kosciuszko, the **Asim** hardware range has been designed to complement the clean lines and robustness of our window and door frames. This range includes a square-shaped design that adds a touch of architectural sophistication to any project.

**Designed and Made in Australia
for Australian Conditions.**



ASIM HINGED PROJECTION BOLT SECURITY LOCK

Asim[®] 
HARDWARE BY ALSPEC

 **alspec**[®]
EVERYTHING ALUMINIUM
& HARDWARE

Asim Hinged Projection Bolt Security Lock

Operation:

A reliable mortice lock for hinged doors having with a latch bolt that is retracted by an outside or inside lever. Closing the door causes an auxiliary bolt to release the latch bolt enabling it to enter the aperture in a strike plate. Once fully extended, it may be locked (or unlocked) from either side by key.

Special Features:

- Interior snib lever for quick and convenient locking without the need for a key.
- The jemmy resistant strike plate is designed to deform under attack to enable the strike plate to remain engaged with the bolt, even as the door is jemmied away from the door jamb.
- A notch in the latch bolt engages a profiled strike plate aperture to provide enhanced resistance to forced entry.
- Australian design and manufacture.

Multipoint:

Asim lock body may be connected to multipoint kits to provide three-point locking. These kits provide a top and a bottom bolt, each connected to the main lock body by a steel cable or rod. The remote bolts are activated whenever the door is locked by key or snib (see next page for details).

Installation Features:

- Fits into industry standard cut-outs.
- Standard lock fits door frames from 19mm to 25mm thick.
- Suits both left-hand and right-hand hinged doors.
- Fitting instructions can be downloaded from www.alspec.com.au or QR code.

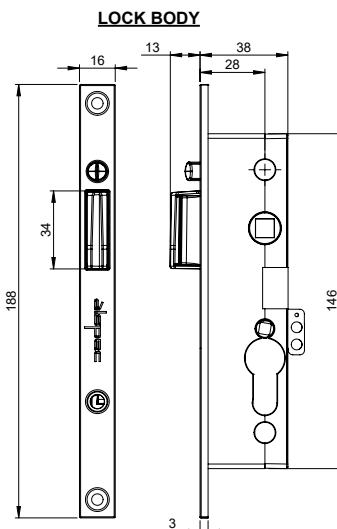
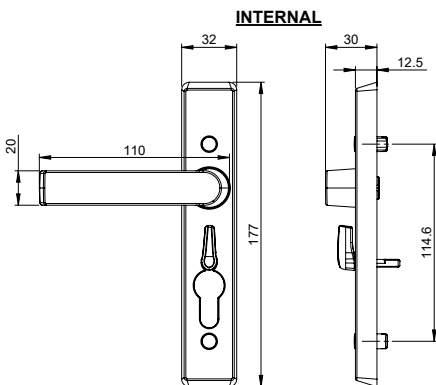


Keying:

- Accepts Alspec euro profile lazy cam cylinder.
- Can be keyed alike.

Finishes:

- A range of powder coated finishes available as shown below.



ITEM No.	ALSPEC ITEM DESCRIPTION
1332260	ASIM HINGED PROJECTION BOLT SEC LOCK - BLACK
1332261	ASIM HINGED PROJECTION BOLT SEC LOCK - WHITE
1332262	ASIM HINGED PROJECTION BOLT SEC LOCK - MONUMENT
1332263	ASIM HINGED PROJECTION BOLT SEC LOCK - PRIMROSE
1332264	ASIM HINGED PROJECTION BOLT SEC LOCK - WOODLAND GREY
1332265	ASIM HINGED PROJECTION BOLT SEC LOCK - PAPERBARK
1332266	ASIM HINGED PROJECTION BOLT SEC LOCK - SURFMIST
1332267	ASIM HINGED PROJECTION BOLT SEC LOCK - WHITE BIRCH
1332268	ASIM HINGED PROJECTION BOLT SEC LOCK - HAMM BROWN
1332269	ASIM HINGED PROJECTION BOLT SEC LOCK - DUNE

Multipoint Kits

E-KIT

Cable System
Uses steel cables that provide quiet and reliable operation. Cables are only available in standard lengths.




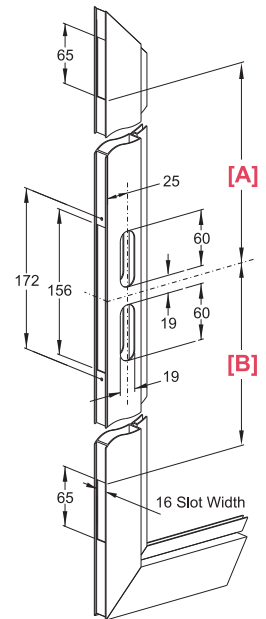
H14R

Rod System
Uses simple steel rods that are only available in standard lengths.



H14R-A

Adjustable Rod
Uses steel rods that can be set to any length and fixed with a special brass coupling.

Door Cutout

	Alspec Code	Description	[A]	[B]
Cable	1308092	Cable operated multipoint kit for Asim hinged projection bolt series - EKIT/H	682mm	826mm
	1308099	Cable operated multipoint kit for Asim hinged projection bolt series - EKIT/H-ST150	532mm	826mm
	1308094	Cable operated multipoint kit for Asim hinged projection bolt series - EKIT/L	826mm	682mm
	1308091	Cable operated multipoint kit for Asim hinged projection bolt series - EKIT/P	375mm	961mm
Rod	1308012	Rod operated multipoint kits for Asim hinged projection bolt series - H14R/H	682mm	826mm
	1308080	Rod operated multipoint kits for Asim hinged projection bolt series - H14R/L	826mm	682mm
	1308863	Rod operated multipoint kits for Asim hinged projection bolt series - H14R/P	375mm	961mm
	1308006	Adjustable rod operated multipoint kits for Asim hinged projection bolt series - H14R/A	Any	Any

Tolerance +/- 3mm

Accessories

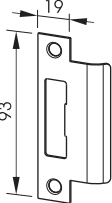
ALSPEC 5 PIN LAZY CAM CYLINDER

Re-pinable double cylinder with C4 keyway.



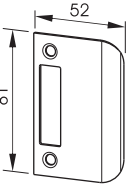
1308055 (SP1)

Standard strike plate for Asim Projection Locks. (Stainless Steel)



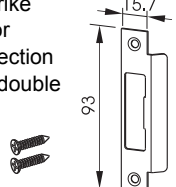
1308607 (WSP1)

Wide strike plate for Asim Projection Locks.



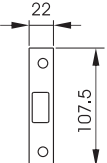
1308915 (SP24)

Narrow strike plate kit for Asim Projection Locks on double doors.



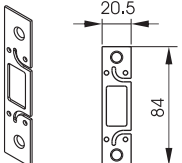
1370075 (SPS1)

Strike plate spacer for standard catch plate 1308055.



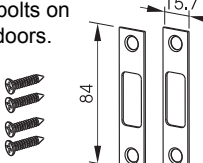
1308917 (SP11) for multipoint

Standard catch plate for E-Kit, U-Kit, and H14R remote bolts.



1308916 (SP23) for multipoint

Narrow catch plate kit for E-Kit and H14R remote bolts on double doors.





Contact your local branch to purchase

SYDNEY BRANCH 3 Alspec Place, Eastern Creek NSW 2766

Phone: 02 9834 9500 | Fax: 02 9834 9532 | info@alspec.com.au | sydney@alspec.com.au

MELBOURNE BRANCH

26-40 Pound Road West
Dandenong South VIC 3175
Phone: 03 8787 6333
Fax: 03 8787 6399
melbourne@alspec.com.au

BRISBANE BRANCH

8-22 Jutland Street
Loganlea QLD 4131
Phone: 07 3089 4900
Fax: 07 3089 4999
brisbane@alspec.com.au

ADELAIDE BRANCH

1 Pope Court
Beverley SA 5009
Phone: 08 8150 6960
Fax: 08 8150 6999
adelaide@alspec.com.au

DARWIN BRANCH

25 Bishop Street
Woolner NT 0820
Phone: 08 8941 7300
darwin@alspec.com.au

CANBERRA BRANCH

28 Sheppard Street
Hume ACT 2620
Phone: 02 5134 3300
canberra@alspec.com.au

PERTH BRANCH

30 Holder Way
Malaga WA 6090
Phone: 08 9209 9100
Fax: 08 9209 9199
perth@alspec.com.au

NEWCASTLE BRANCH

95 Griffiths Road
Lambton NSW 2299
Phone: 02 4952 9111
Fax: 02 4952 9728
newcastle@alspec.com.au

BRENDALE BRANCH

24 Doherty Street
Brendale QLD 4500
Phone: 07 3205 9911
Fax: 07 3205 9915
brendale@alspec.com.au

SUNSHINE COAST BRANCH

4-8 Empire Crescent
Chevallum QLD 4555
Phone: 07 5437 6123
Fax: 07 5437 6124
chevallum@alspec.com.au

TOWNSVILLE BRANCH

21 Carroll Street
Mount Louisa QLD 4814
Phone: 07 3089 4965
Fax: 1300 131 747
townsville@alspec.com.au

CAIRNS BRANCH

34-38 Hargreaves Street
Edmonton QLD 4869
Phone: 07 4037 6666
Fax: 07 4037 6699
cairns@alspec.com.au

BUNDABERG BRANCH

17 Production Street
Svensson Heights QLD 4670
Phone: 07 4111 2000
Fax: 07 4111 2099
bundaberg@alspec.com.au

Call 1300 ALSPEC (1300 257 732)
alspec.com.au