

Security Screen Door Hardware



We take the worry out of
protecting what's valuable to you.
Lockwood: *no worries*[®]

25YEAR MECHANICAL
WARRANTY

LOCKWOOD

ASSA ABLOY

alspec
ALUMINIUM SYSTEMS
SPECIALISTS

www.lockweb.com.au

Contents



8654 Hinged Security

Screen Door Lock

page 3



8653 Sliding Security

Screen Door Lock

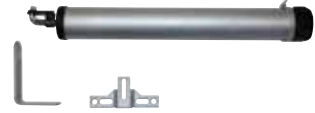
page 12



300-4 Screen

Screen Door Latch

page 17



403 Pneumatic

Screen Door Closer

page 19

8654 Hinged Security Screen Door Lock



Description

The Lockwood 8654 Hinge Security Door Lock has been designed in Australia and manufactured to stringent quality specifications. Incorporating Lockwood's advanced safety and security feature, DualSelect®, the 8654 Hinge Security Door Lock is ideal for use in residential applications.

Application

Single or multi point mortice hinge security door lock available in high strength (3 point) and standard versions. Snib only and no snib mortice locksets are also available.

Product Details

Bolt	Stainless steel hookbolt for increased security
Description	Large ergonomically improved snib to assist with operation
Dimensions	Suits standard 20mm door thickness
Handing	Suits left or right handed hinged screen doors
Finishes	Chrome Plate (CP) Satin Chrome Pearl (SP) Everbrass (Gold Plate) (EVB) Polyester Powdercoat (PPC) Black (BLK) Brown (BRN) Gold Spangle (GSP) Magnolia (MAG) Primrose (PRM) White (WH) White Birch (WB)
Installation	Fits industry standard cut outs/door preparation. Retrofits Whitco Tasman Mk2 and Mk3 Locks.
Latch	Self latching with stainless steel hook deadbolt for improved security performance
Locking	Key locking from both sides. Inside snib locking (with key override). Can only be locked when fully engaged with strike
Plate	Stainless Steel front end plates

Note: Safety mode: (Privacy-lock / Snibbed) Secure mode: (Deadlock). Snib only version also available. No snib version also available. Optional 3 point kits available for premium security. When 3 point kit is fitted, snib activates/operates all 3 locking points

Standards and Compliance

S6 High security for maximum protection Australian Standard (AS4145.2:2008)

D7 High durability for maximum frequency usage Australian Standard (AS4145.2:2008).

Successfully tested on security screen doors in accordance with Australian Standard (AS 5039-2008): Security Screen Doors and Security Window Grilles.

Australian Standard (AS 5041-2003): Methods of Test.

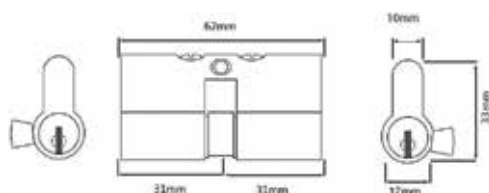
8654 Hinged Security Screen Door Lock

Features and Specifications

- 2 stage key locking, offers safety and security for all occupants by giving a choice of selecting safety mode or secure mode when exiting the home
- Turning the key to the first selection engages the safety lock, this offers security from the outside whilst allowing occupants inside to safely exit using the internal lever and snib
- Turning the key to the second selection engages the secure lock, this provides internal and external security, and requires the key to unlock the door from inside and outside
- Push on actuating bar suits above or below centreline applications
- Zinc diecast lock mechanism and furniture
- Easy installation for both new and retrofit applications
- Accepts Lockwood Euro profile lazy cam cylinder
- Available in display and trade packs

Keying

- Use with Lockwood Euro profile lazy cam cylinder - with Kinetic Defence™ and Anti-Drill
- 2 x 5 pin cylinder
- Can be keyed alike to other Lockwood C4 door and window products



Polyester Powdercoat Finishes

Part Number	Finish	Description
1304455 -034	Black	Single point lock set no cylinder
1304455 -011	Brown	Single point lock set no cylinder
1304455 -033	Gold Spangle	Single point lock set no cylinder
1304455 -082	Magnolia	Single point lock set no cylinder
1304455 -012	Primrose	Single point lock set no cylinder
1304455 -015	Stone Beige	Single point lock set no cylinder
1304455 -010	White	Single point lock set no cylinder
1304455 -027	White Birch	Single point lock set no cylinder
1304453 -034	Black	Single point lock set no cylinder, no snib
1304516 -034	Black	Single point lock set no cylinder, extra wide strike
1304447 -034	Black	Single point lock set snib only

Plated Finishes

Part Number	Finish	Description
1304455 -ON9	Chrome Plate	Single point lock set no cylinder
1304455 -0ZA	Everbrass (Gold Plate)	Single point lock set no cylinder
1304455 -094	Sain Chrome Pearl	Single point lock set no cylinder

Accessories / Spare Parts

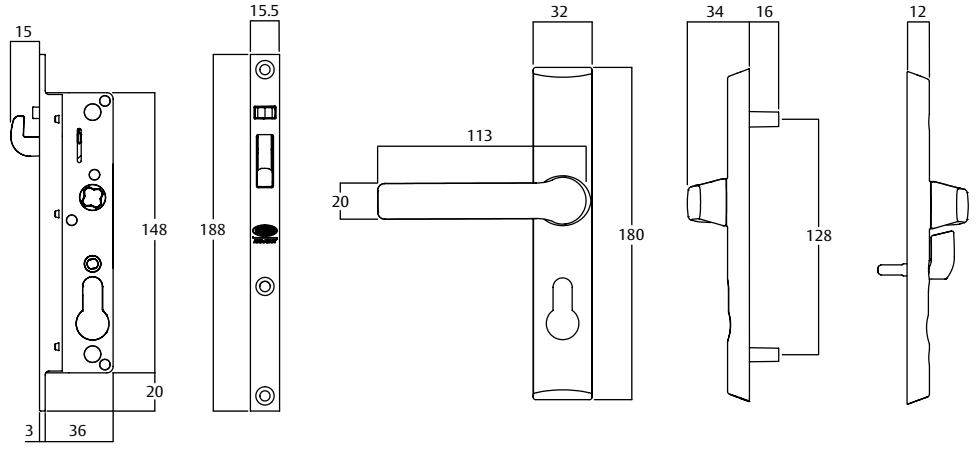
Part Number	Lockwood Part Number	Description
1304313	8650-2CP	Anti Drill Euro Cylinder with Kinetic Defence
1304456	8654-3PK	Standard 3 point kit
1304457	8654-3PK/HS	High security 3 point kit
1304454	8654-3PK/PBT	Projection Bolt 3 point kit
1304470	SP8654-20	Strike centre lock (standard)
1304458	SP8654-21	Strike centre lock (extra width)
1304474	SP8654-22	Strike centre lock (12mm step over)
1304471	SP8654-23	Strike aux lock (standard)
1304472	SP8654-24	Strike aux lock (12mm step over)
1304523	SP8654-25	8654 strike french door
1304469	SP8654-26	8654/MK3 Tasman retrofit strike
1304498	SP8654-27	8654 strike packer 1.5mm - main lock PK = 50
1304501	SP8654-28	8654 actuator bar spacer PK = 50
1304473	SP8654-29	8654 narrow plate main lock strike french/double doors
1304475	SP8654-30	8654 narrow plate auxiliary lock strike french/double doors
1304495	SP8654-31	8654 projection bolt 3PT actuator bar-grey
1304494	SP8654-55	8654 standard 3PT actuator bar-black PK=100
1304496	SP8654-AUX-STP	8654 Auxiliary lock strike pocket template-SS
1304525	SP8654-MAIN-STP	8654 main lock strike pocket template-SS

Note: Complete lockset includes furniture, snib, strike, installation instructions and screw packs.

8654 Hinged Security Screen Door Lock



Interior



Kinetic Defence®
Bump and pick resistant.

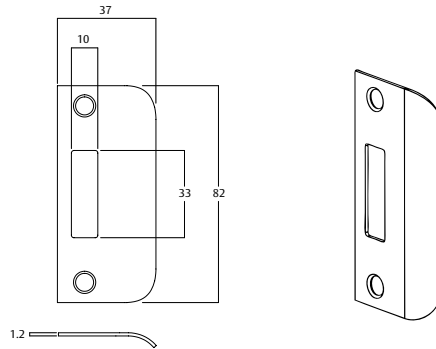


DualSelect®
Turn the key for safety mode. Turn the key further to select secure mode.

8654 Hinged Security Screen Door Lock

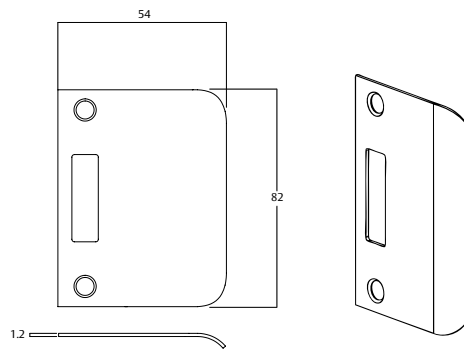
Strike - Centre Lock (Standard)

Part Number 1304470
SP8654-20



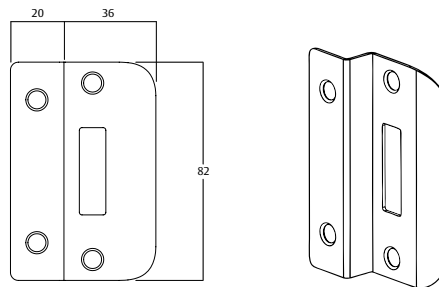
Strike - Centre Lock (Extra Width)

Part Number 1304458
SP8654-21



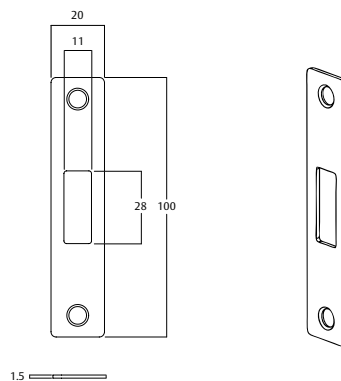
Strike - Centre Lock (12mm Step Over)

Part Number 1304474
SP8654-22



Strike - Aux Lock (Standard)

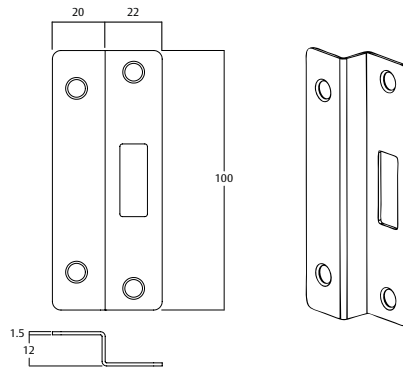
Part Number 1304471
SP8654-23



8654 Hinged Security Screen Door Lock

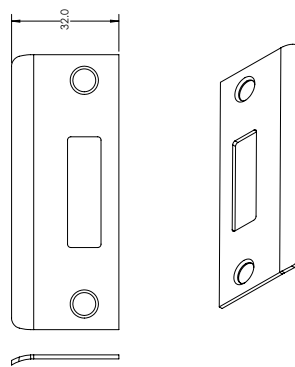
Strike - Aux Lock
(12mm Step Over)

Part Number 1304472
SP8654-24



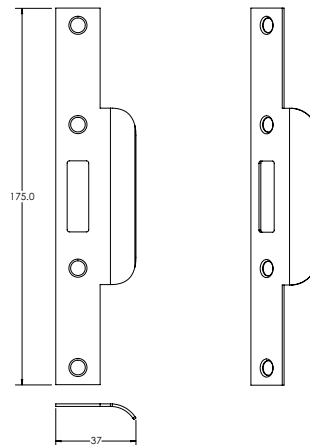
8654 Strike - French Door

Part Number 1304523
SP8654-25



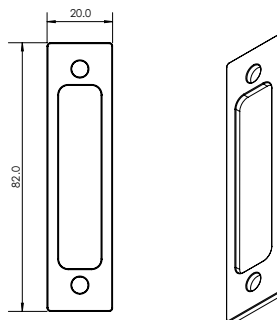
8654/MK3 Tasman - Retrofit
Strike

Part Number 1304469
SP8654-26



8654 Strike Packer 1.5mm -
Main Lock PK = 50

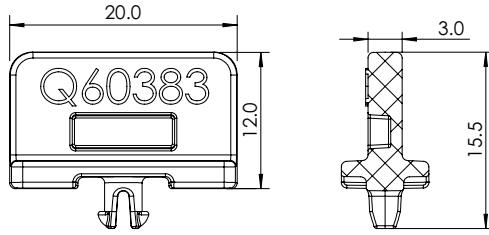
Part Number 1304498
SP8654-27



8654 Hinged Security Screen Door Lock

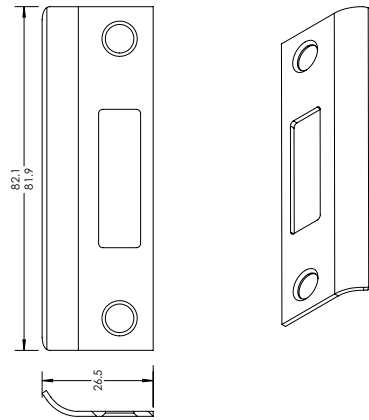
8654 Actuator Bar Spacer
PK = 50

Part Number 1304501
SP8654-28



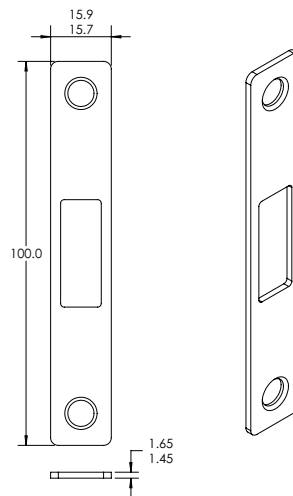
8654 Narrow Plate Main Lock
Strike - French/Double Doors

Part Number 1304473
SP8654-29



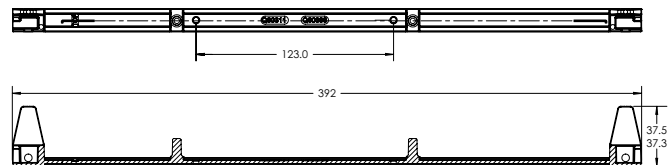
8654 Narrow Plate Auxiliary
Lock Strike - French/Double
Doors

Part Number 1304475
SP8654-30



8654 Projection Bolt 3PT
Actuator Bar-Grey

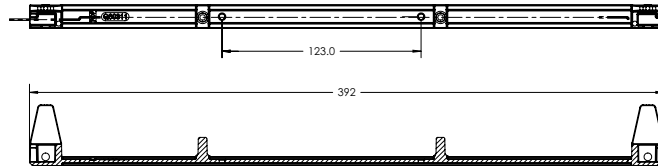
Part Number 1304495
SP8654-31



8654 Hinged Security Screen Door Lock

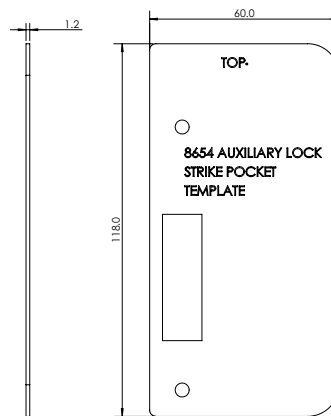
8654 STANDARD 3PT
ACTUATOR BAR-BLACK PK=100

Part Number 1304494
SP8654-55



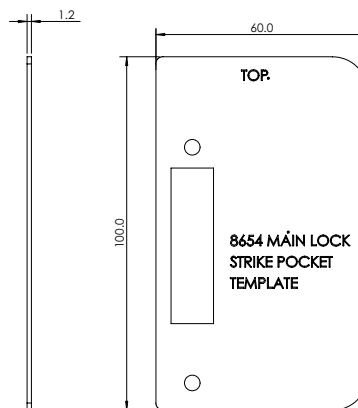
8654 Auxiliary Lock Strike
Pocket Template-SS

Part Number 1304496
SP8654-AUX-STP



8654 Main Lock Strike Pocket
Template-SS

Part Number 1304525
SP8654-MAIN-STP



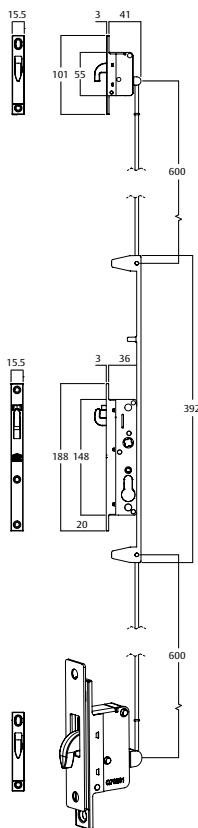
8654 Hinged Security Screen Door Lock

8654 - 3 Point Kits

Part Number 1304456
8654-3PK

Description

Standard 3 Point Locking Kit utilizing hook bolt actuators for premium security.

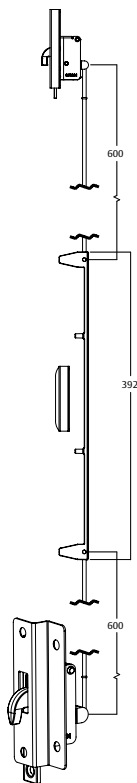


8654 - 3 Point Kits

Part Number 1304457
8654-3PK/HS

Description

High Security 3 Point Locking Kit utilizing hook bolt actuators and high security step over strikes for optimum security.



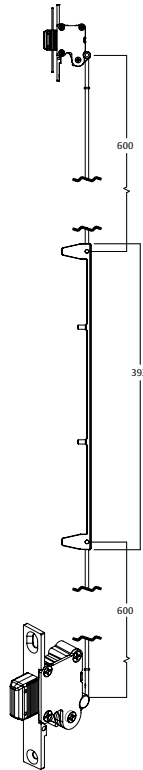
8654 Hinged Security Screen Door Lock

8654 - 3 Point Kits

Part Number 1304454
8654-3PK/PBT

Description

Projection Bolt 3 Point Locking Kit utilizing projection bolt actuators. Allows ease of installation while still offering premium security.



8653 Sliding Security Screen Door Lock



Description

The Lockwood 8653 Sliding Door Lock incorporates Lockwood's advanced safety and security features, DualSelect® and LockAlert® the 8653 Sliding Security Door Lock is ideal for use in residential applications.

Application

Single or multi point mortise sliding security door lock available in high strength (3 point) and standard versions. A snib only mortise lockset is also available.

Product Details

Latch	Self latching with stainless steel parrot beak deadlatch
Description	Large ergonomically improved snib to assist with operation
Dimensions	Suits standard 20mm door thickness
Handing	Suits left or right handed sliding screen doors
Finishes	Black (BLK) Primrose (PRM) White (WH) Bright Chrome (CP) Satin Chrome (SC) Polyester Powdercoat (PPC)

Note: Safety mode: (Privacy-lock / Snibbed) Secure mode: (Deadlock). Snib only version also available. version also available. No snib version also available. Optional 3 point kits available for premium security. When 3 point kit is fitted, snib activates/operates all 3 locking points

Standards and Compliance

S7

High security for maximum protection Australian Standard (AS4145.2:2008).

D8

High durability for maximum frequency usage Australian Standard (AS4145.2:2008).

Successfully tested on security screen doors in accordance with Australian Standard (AS 5039-2008): Security Screen Doors and Security Window Grilles.

Australian Standard (AS 5041-2003): Methods of Test.

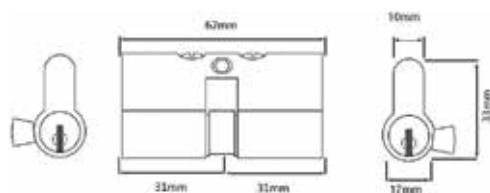
8653 Sliding Security Screen Door Lock

Features and Specifications

- 2 stage key locking, offers safety and security for all occupants by giving a choice of selecting privacy lock or deadlock when exiting the home
- Turning the key to the first selection engages the privacy lock, this offers security from the outside whilst allowing occupants inside to safely exit using the internal lever
- Turning the key to the second selection engages the deadlock, this provides internal and external security, and requires the key to unlock the door from inside and outside
- Zinc diecast lock mechanism and furniture
- Easy installation for both new and retrofit applications
- Accepts Lockwood Euro profile lazy cam cylinder
- Available in display and trade packs

Keying

- Use with Lockwood Euro profile lazy cam cylinder
- 2 x 5 pin cylinder
- Can be keyed alike to other Lockwood door and window products.



Polyester Powdercoat Finishes

Part Number	Finish	Description
1304311 -034	Black	Single point lock set no cylinder
1304311 -012	Primrose	Single point lock set no cylinder
1304311 -010	White	Single point lock set no cylinder
1304311 -015	Stone Beige	Single point lock set no cylinder
1304316 -034	Black	Single point snib only lockset

Plated Finishes

Part Number	Finish	Description
1304311 -ON9	Chrome Plate	Single point lock set no cylinder
1304311 -094	Satin Chrome Pearl	Single point lock set no cylinder

Accessories

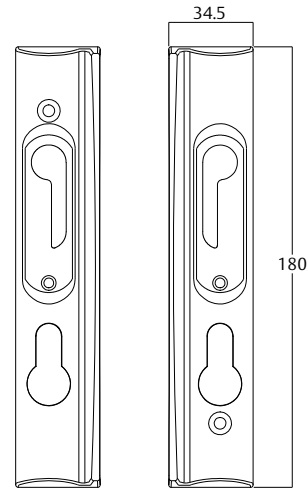
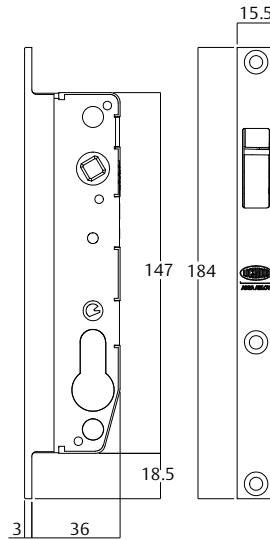
Part Number	Lockwood Part Number	Description
1304654	8653-3PK/RF	Retrofit 3 point kit
1304310	8653-3PK	Standard 3 point kit
1304313	8650-2CP	Anti Drill Euro Cylinder with Kinetic Defence
1304653	8653DUMBLK	8653 Dummy handle set
1304314	SP8653-53	High Strength Strike
1304312	SP8653-64	High Strength Strike 9.5mm

Note: Complete Lockset includes furniture, snibs, strike, installation instructions and screw packs.

8653 Sliding Security Screen Door Lock



Interior



Kinetic Defence®
Bump and pick resistant.



DualSelect®
Turn the key for safety mode. Turn the key further to select secure mode.



LockAlert™
Interior Indicator shows lock status at a glance.



Safety Mode
Securely locked from outside and free from inside.



Secure Mode
Securely locked from both inside and outside. For when nobody is home.



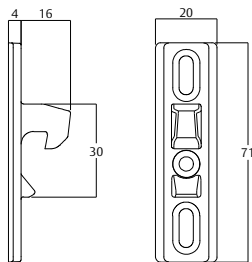
Passage Mode
Free to enter from outside and free to exit from inside.

8653 Sliding Security Screen Door Lock

Standard Strike (Zinc)

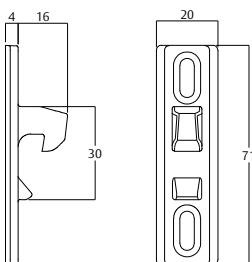
Part Number N/A

Note: Comes standard in all 8653 lock packs.



High Strength Strike (Stainless Steel)

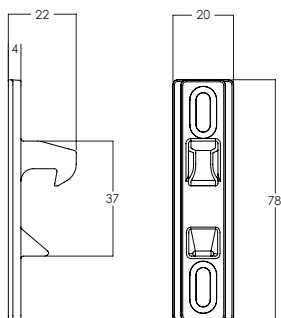
Part Number 1304314
SP8653-53



Auxiliary Strike/3 Point (Stainless Steel)

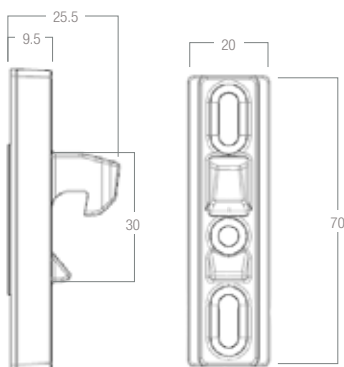
Part Number N/A

Note: Comes standard in 8653-3PK.



Extra Thick Strike

Part Number 1304312
SP8653-64



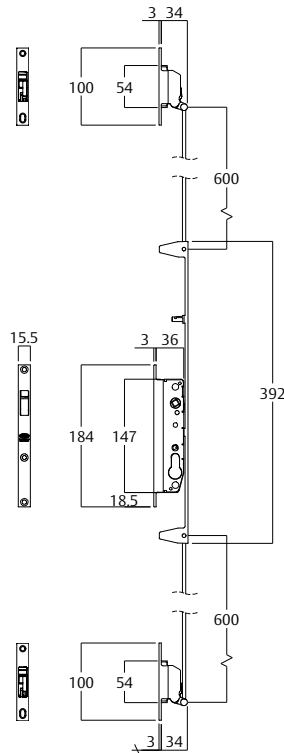
8653 Sliding Security Screen Door Lock

8653 - 3 Point Kits

Part Number 1304310
8653-3PK

Description

Standard 3 Point Locking kit for premium security.

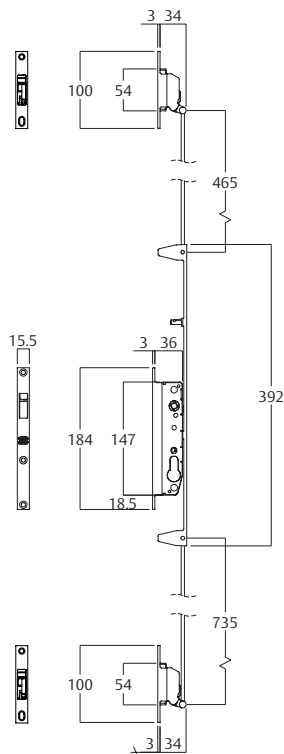


8653 - 3 Point Kits

Part Number 1304654
8653-3PK/RF

Description

Retrofit 3 Point Locking kit for premium security (above center line fit).



300-4 Screen Door Latch



Features and Specifications

Opened from outside by knob, from inside by lever. Bolt may be held retracted or deadlocked by snib inside.

Application

Suitable for screen doors.

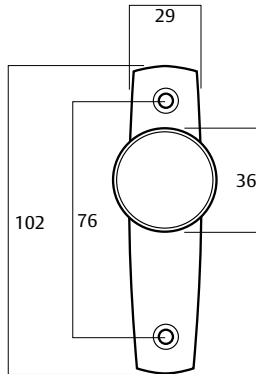
Product Details

Bolt	High purity zinc alloy 8mm projection
Door Thickness	19 mm to 38 mm
Materials	Zinc diecast case, bolt, knob and lever handle. Brass escutcheon. Steel spindle and strike.

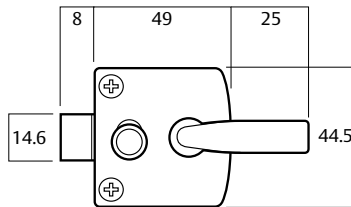
300-4 Screen Door Latch

300-4 Screen Door Latch

Part Number	Lockwood Part Number	Finish
1304003	300-4BRNDP	Brown
1304004	300-4CPDP	Chrome Plate
1304005	300-4PBDP	Polished Brass
1304006	300-4SCPDP	Satin Chrome Pearl



Exterior



Interior

403 Pneumatic Screen Door Closer



Description

403 Pneumatic Screen Door Closer is suitable for right or left hand hinged screen doors or light internal doors weighing up to 21kgs.

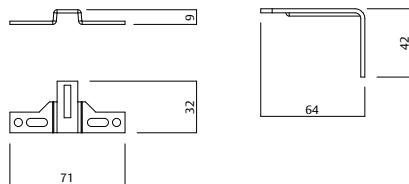
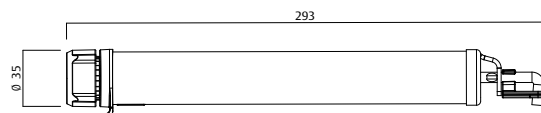
Features and Specifications

- Spring loaded bleed valve for smooth closing
- Closing speed easily hand adjustable
- Door hold-open feature
- Surface mounting
- Rapid air release function
- Automatic latch operation
- Easy installation

Product Details

Materials Aluminium drawn cylinder, Zinc diecast cylinder end cap, Zinc plated steel rod and brackets.

Maximum Door Weight 21 kgs



403 Pneumatic Screen Door Closer

Part Number	Finish
1304163 -011	Brown
1304163 -031	Silver
1304163 -034	Black
1304163 -012	Primrose
1304163 -010	White

Note: 403 Screen Door Closer for Doors Weighing up to 21 kgs



ASSA ABLOY

Lockwood is the leading brand in the Australian locking industry. With an established reputation for high quality products, this iconic brand provides a wide range of locking solutions to residential housing, commercial building and industrial application markets. Lockwood is supported by an extensive distribution and after-sales support network. Our customers include retailers, architects, trade and industrial personnel, locksmiths and security dealers.

ASSA ABLOY is the global leader in door opening solutions, dedicated to satisfying end-user needs for security, safety and convenience.

ASSA ABLOY is represented in all major regions, in both mature and emerging markets, with leading positions in Australia, Europe and North America.

ASSA ABLOY Australia Pty Ltd
235 Huntingdale Road
Oakleigh, Victoria, 3166
Australia

1300 LOCK UP (1300 562 587)
lockweb.com.au

ASSA ABLOY New Zealand Ltd
6 Armstrong Road
Albany, Auckland, 0632
New Zealand

info.nz@assaabloy.com
Telephone +64 9415 7111
assaabloy.co.nz

25YEAR MECHANICAL WARRANTY

The Lockwood 25 Year Mechanical Warranty

Our belief that we manufacture the finest premium products available in today's market place is backed by the Lockwood 25 Year Mechanical Warranty, ensuring that Lockwood continues to keep Australians safe by delivering security and peace of mind.

For warranty terms and conditions, please visit www.lockweb.com.au or call 1300WARRANTY



Alspec Sydney

3 Alspec Place,
Eastern Creek NSW, 2766

Ph: 1300 ALSPEC
02 9834 9500
F: 02 9834 9555
sydney@alspec.com.au

Alspec Newcastle

95 Griffiths Road,
Lambton NSW, 2299

Ph: 1300 ALSPEC
02 4952 9111
F: 02 4952 9728
newcastle@alspec.com.au

Alspec Brisbane

8-22 Jutland Street,
Loganlea QLD, 4131

Ph: 1300 ALSPEC
07 3089 4900
F: 07 3089 4999
brisbane@alspec.com.au

Alspec Cairns

11 Southgate Close
Woree QLD, 4868

Ph: 07 3089 4985
F: 07 4035 5967
cairns@alspec.com.au

Alspec Townsville

28 Camuglia Street,
Garbutt QLD, 4814

Ph: 1300 ALSPEC
1300 257 732
F: 1300 131 747
townsville@alspec.com.au

Alspec Darwin

25 Bishop Street,
Woolner NT, 0820

Ph: 1300 ALSPEC
08 8941 7300
F: 08 8941 7322
darwin@alspec.com.au

Alspec Perth

30 Holder Way,
Malaga WA, 6090

Ph: 1300 ALSPEC
08 9209 9100
F: 08 9209 9199
perth@alspec.com.au

Alspec Adelaide

106-108 Ashley Street,
Torrensville SA, 5031

Ph: 1300 ALSPEC
08 8150 6960
F: 08 8354 2277
adelaide@alspec.com.au

Alspec Melbourne

26-40 Pound Road West,
Dandenong South VIC, 3175

Ph: 1300 ALSPEC
03 8787 6333
F: 03 8787 6399
melbourne@alspec.com.au

