

## SECURITY DOOR SECTIONS

\* DENOTES WHERE STOCKED: A=ADELAIDE, B=BRISBANE, C=CAIRNS, D=DARWIN, M=MELBOURNE, N=NEWCASTLE, P=PERTH, S=SYDNEY, T=TOWNSVILLE

 <b>SD2</b> DOOR FRAME Anod. Per. 228 Paint Per. 194 * B, N	 <b>SD8</b> DOOR FRAME Anod. Per. 232 Paint Per. 197 * A, M, S	 <b>SD13</b> DOOR FRAME Anod. Per. 180 Paint Per. 170 * MELBOURNE ONLY	 <b>SD31</b> DOOR FRAME Anod. Per. 270 Paint Per. 225 * PERTH ONLY
 <b>SD3</b> DOOR FRAME Anod. Per. 229 Paint Per. 193 * N, S	 <b>SD9</b> DOOR FRAME Anod. Per. 227 Paint Per. 192 * ALL BRANCHES	 <b>SD13BF</b> OPEN BOTTOM FRAME Anod. Per. 347 Paint Per. 143 * MELBOURNE ONLY	 <b>SD35</b> DOOR FRAME Anod. Per. 296 Paint Per. 228 * PERTH ONLY
 <b>SD7</b> DOOR FRAME Anod. Per. 229 Paint Per. 194 * BRISBANE ONLY	 <b>SD14</b> DOOR FRAME Anod. Per. 258 Paint Per. 176 * MELBOURNE ONLY	 <b>SD16</b> DOOR FRAME Anod. Per. 266 Paint Per. 175 * B, T	 <b>SD5T</b> DOOR FRAME Anod. Per. 229 Paint Per. 186 * ADELAIDE ONLY

## SECURITY WINDOW SECTIONS

 <b>SW1</b> SECURITY WINDOW FRAME Anod. Per. 143 Paint Per. 100 * A, B, C, D, M, N, S, T	 <b>SW3</b> SECURITY WINDOW FRAME Anod. Per. 134 Paint Per. 100 * B, C, S, T	 <b>SW42</b> SECURITY WINDOW FRAME 42mm Anod. Per. 180 Paint Per. 126 * PERTH ONLY
 <b>SW1A</b> SECURITY WINDOW WITH LEG Anod. Per. 181 Paint Per. 123 * A, M, N, S	 <b>SW4</b> LW SECURITY WINDOW Anod. Per. 134 Paint Per. 100 * BRISBANE ONLY	 <b>SW98</b> SECURITY WINDOW WITH LEG (Q3835) Anod. Per. 181 Paint Per. 144 * PERTH ONLY
 <b>SW2</b> SECURITY WINDOW FRAME WITH LEG Anod. Per. 173 Paint Per. 117 * B, C, T	 <b>SW16</b> LONG LEG SECURITY WINDOW Anod. Per. 167 Paint Per. 100 * B, T	 <b>SW99</b> SECURITY WINDOW FRAME Anod. Per. 142 Paint Per. 100 * PERTH ONLY

## JOINER (JS) SECTIONS

 <b>JS1</b> JOINER SECTION Anod. Per. 125 Paint Per. 100 * A, B, C, M, N, P, S, T	 <b>JS2</b> JOINER SECTION Anod. Per. 153 Paint Per. 100 * ALL BRANCHES	 <b>JS3</b> DOOR ADAPTOR Anod. Per. 100 Paint Per. 100 * B, S	 <b>JS4</b> SEC DOOR 1/2 JOINER Anod. Per. 138 Paint Per. 100 * M, P
--	--	--	---

## FLY DOOR SECTIONS

 <b>FD1A</b> MEDIUM DUTY FLY FRAME Anod. Per. 176 Paint Per. 143 * A, B, M, N, P, S	 <b>FD2</b> SCREEN DOOR Anod. Per. 245 Paint Per. 176 * MELBOURNE ONLY	 <b>FD3</b> SCREEN DOOR CAP Anod. Per. 129 Paint Per. 100 * MELBOURNE ONLY
--	---	---

## EXTRUDED FLY FRAME

 <b>FS2</b> 25mm EXTRUDED FLYSCREEN Anod. Per. 100 Paint Per. 100 * ALL BRANCHES	 <b>FS3</b> 22mm EXTRUDED FLYSCREEN Anod. Per. 100 Paint Per. 100 * A, B, C, M, N, S, T	 <b>FS6</b> FACE FIT FLYSCREEN Anod. Per. 104 Paint Per. 100 * N, S
 <b>L3455</b> SINGLE TOP TRACK Anod. Per. 100 Paint Per. 100 * A, B, C, M, N, P, S, T	 <b>L2353</b> DOUBLE TOP TRACK Anod. Per. 152 Paint Per. 124 * B, C, N, S, T	 <b>L2251</b> FACE FIX DOUBLE TOP TRACK Anod. Per. 172 Paint Per. 172 * BRISBANE ONLY
 <b>L3454</b> SINGLE BOTTOM TRACK Anod. Per. 100 Paint Per. 100 * B, C, M, N, P, S, T	 <b>L2354</b> DOUBLE BOTTOM TRACK Anod. Per. 132 Paint Per. 100 * B, C, N, S, T	 <b>L2253</b> FACE FIX DOUBLE BOTTOM TRACK Anod. Per. 140 Paint Per. 120 * BRISBANE ONLY
 <b>K5110</b> FACE FIX SINGLE TOP TRACK Anod. Per. 114 Paint Per. 100 * BRISBANE ONLY	 <b>K5109</b> FACE FIX SINGLE BOTTOM TRACK Anod. Per. 149 Paint Per. 100 * BRISBANE ONLY	 <b>K7488</b> MIDRAIL Anod. Per. 123 Paint Per. 100 * A, B, P, T
 <b>Q4750</b> CROSS BRACE Anod. Per. 100 Paint Per. 100 * B, C, D, T		

## ALU-GARD

 <b>ALUWK1</b> ALU-GARD WEDGE / KEEPER 3 Metre lengths * A, B, C, D, N, P, S, T	 <b>ALU9</b> ALU-GARD 9mm WINDOW FRAME Anod. Per. 141 Paint Per. 100 * C, S, T	 <b>ALU11</b> ALU-GARD 11mm WINDOW FRAME Anod. Per. 142 Paint Per. 100 * A, C, D, N, P, S, T	 <b>SD95</b> ALU-GARD ADAPTOR COVER STRIP 2.7 or 3 Metre lengths * A, B, C, M, N, P, S, T
 <b>ALU1</b> ALU-GARD DOOR FRAME Anod. Per. 228 Paint Per. 175 * A, B, C, D, N, P, S, T	 <b>ALU2</b> ALU-GARD EDGE MID RAIL Anod. Per. 243 Paint Per. 138 * SYDNEY ONLY	 <b>ALU3</b> 11mm ALU-GARD WINDOW FRAME WITH LEG Anod. Per. Paint Per. * PERTH ONLY	 <b>SD98</b> ALU-GARD WEDGE Anod. Per. 100 Paint Per. 100 * SYDNEY ONLY
 <b>ALU7</b> ALU-GARD EDGE COMBO DOOR FRAME Anod. Per. 263 Paint Per. 206 * ADELAIDE ONLY	 <b>ALU8</b> ALU-GARD EDGE HD COMBO DOOR FRAME Anod. Per. 255 Paint Per. 253 * ADELAIDE ONLY	 <b>ALU96</b> ALU-GARD 19mm OUTLOOK INFILL Anod. Per. 100 Paint Per. 100 * ADELAIDE ONLY	

## ALU-GRILLE ESCAPE

 <b>SW5</b> OUTWARD OPENING ESCAPE SASH Anod. Per. 274 Paint Per. 242 * C, T	 <b>SW20</b> OUTWARD OPENING R/B PERIMETER FRAME Anod. Per. 272 Paint Per. 272 * PERTH ONLY	 <b>SW21</b> OUTWARD OPENING R/B HINGE PERIMETER FRAME Anod. Per. 273 Paint Per. 273 * PERTH ONLY	 <b>SW23</b> OUTWARD OPENING LOCK HANDLE Anod. Per. 129 Paint Per. 129 * B, C, P, S, T	 <b>SW24</b> OUTWARD OPENING STD PERIMETER FRAME Anod. Per. 223 Paint Per. 223 * B, C, P, S, T	 <b>SW25</b> OUTWARD OPENING STD HINGE PERIMETER FRAME Anod. Per. 223 Paint Per. 223 * B, C, P, S, T
---	--	--	---	---	---

## KIDSCREEN™

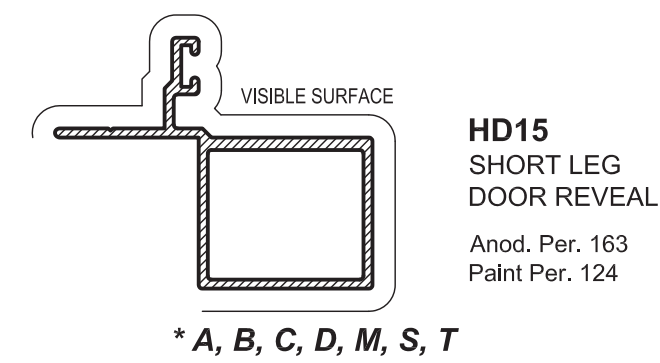
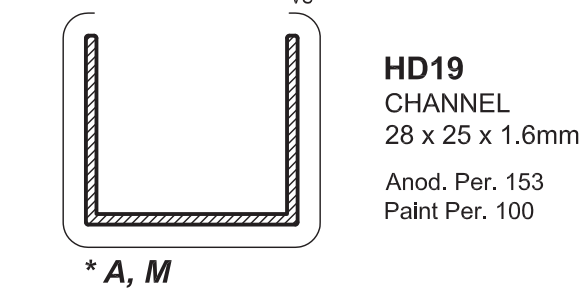
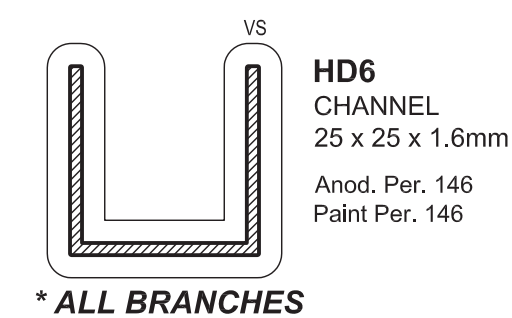
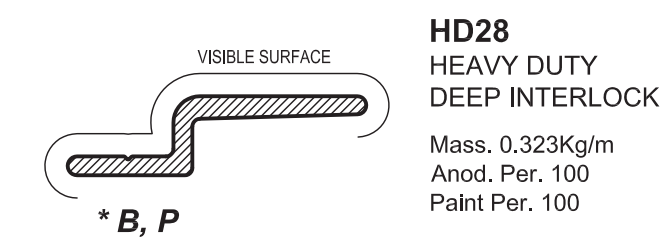
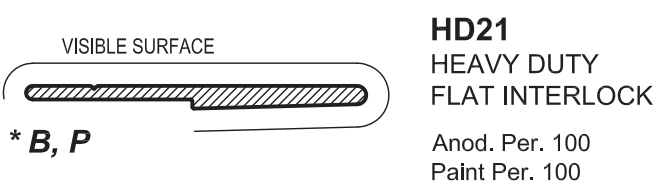
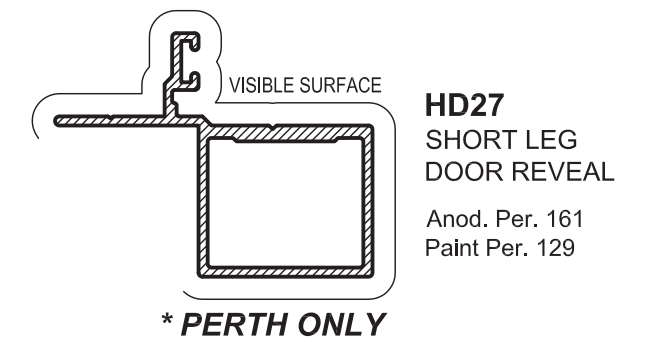
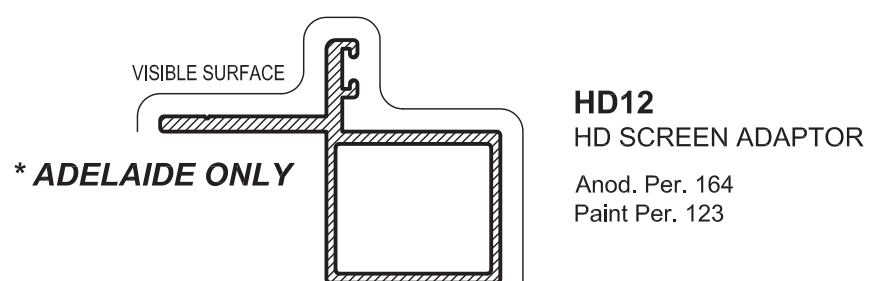
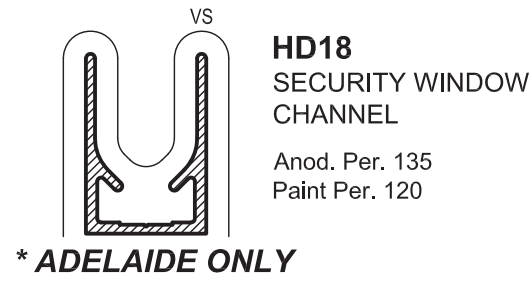
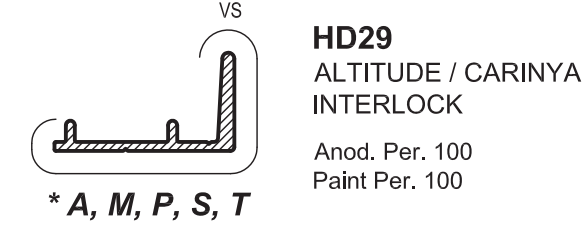
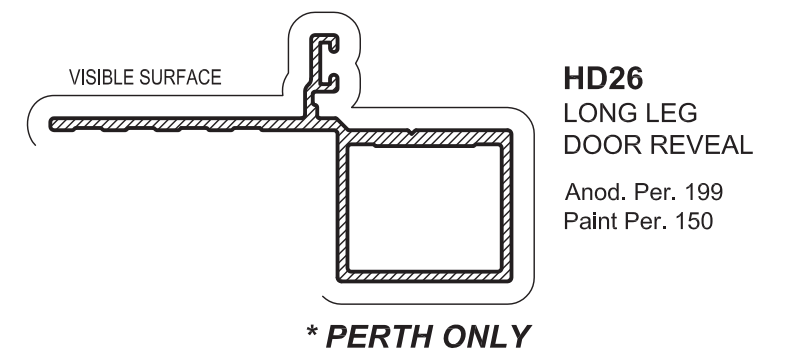
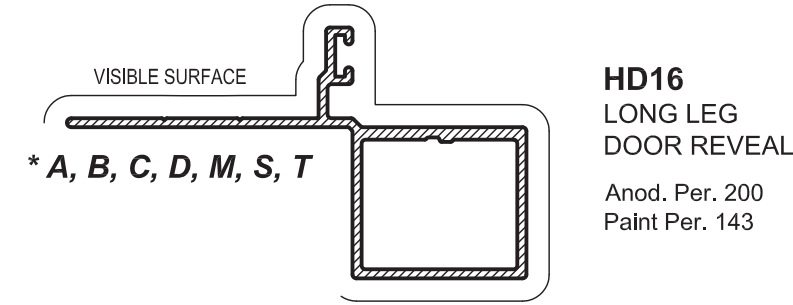
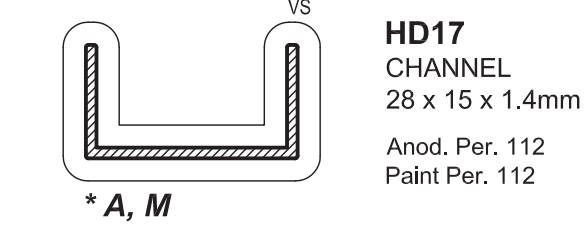
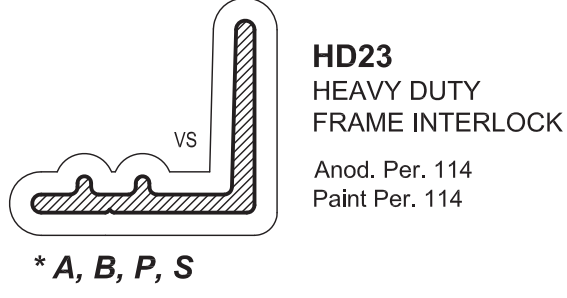
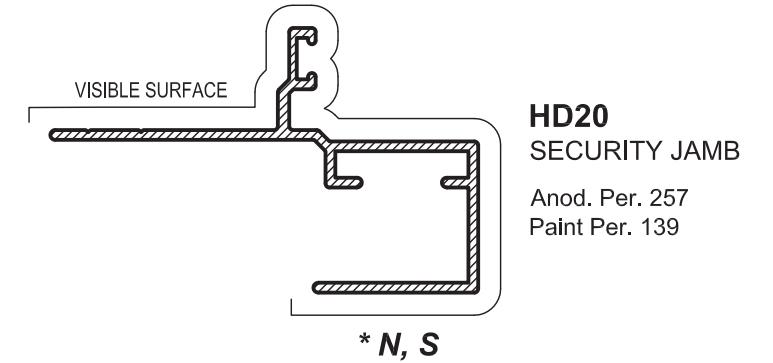
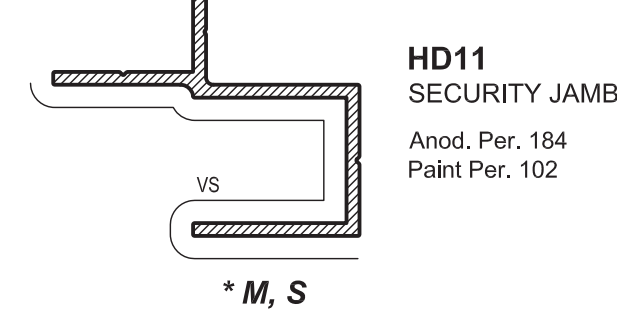
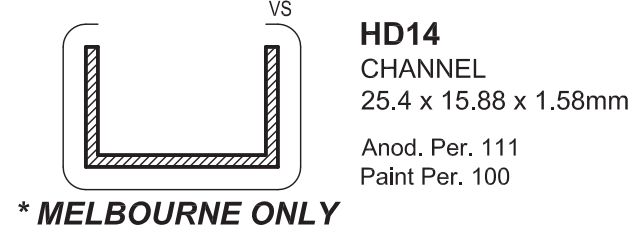
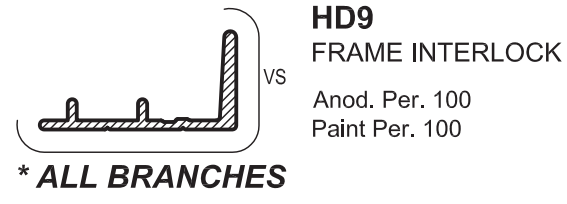
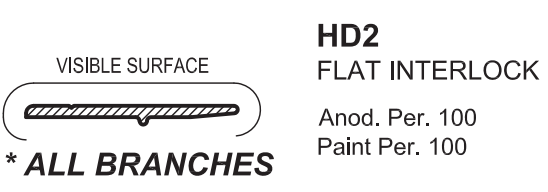
 <b>SW9</b> 9mm KIDSCREEN™ FRAME Anod. Per. 128 Paint Per. 100 * B, C, D, M, N, P, S, T	 <b>SW11</b> 11mm KIDSCREEN™ FRAME Anod. Per. 127 Paint Per. 100 * B, C, D, M, N, P, S, T	 <b>SW10</b> SCREEN RETAINER CLIP Anod. Per. 100 Paint Per. 100 * B, S	 <b>Q4750</b> MIDRAIL Anod. Per. 100 Paint Per. 100 * B, C, D, S, T
--	--	---	--

NOTE: KIDSCREEN IS A LICENCED DEALER PRODUCT. PLEASE CONTACT YOUR AREA MANAGER ABOUT BECOMING A DEALER.

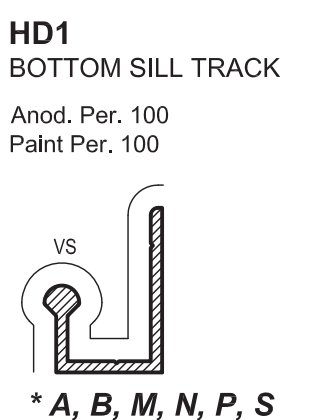
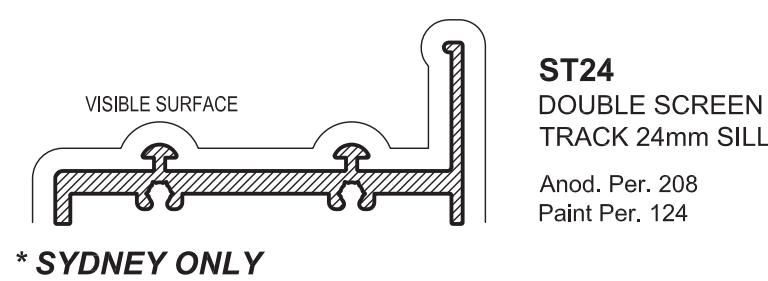
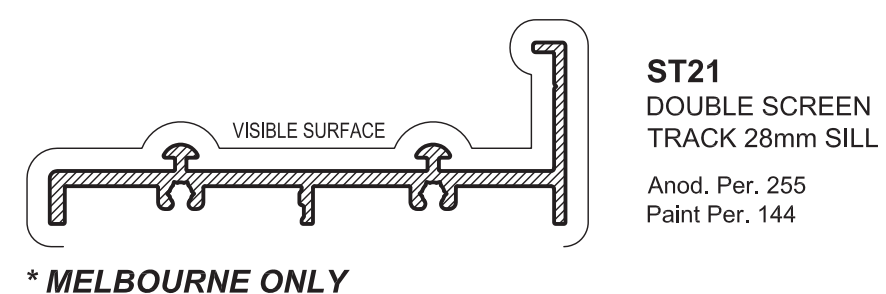
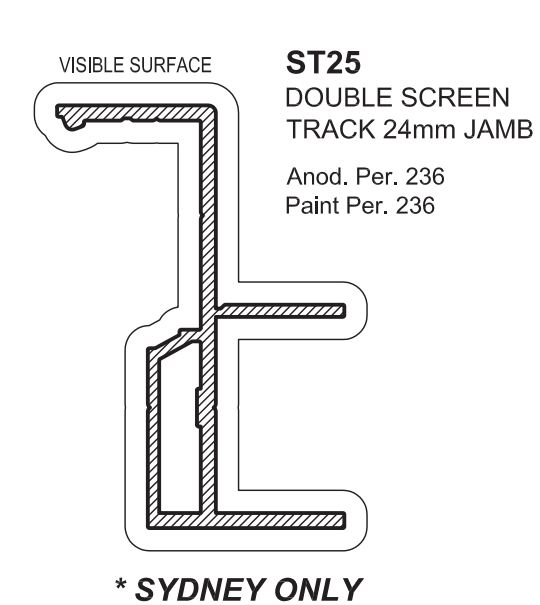
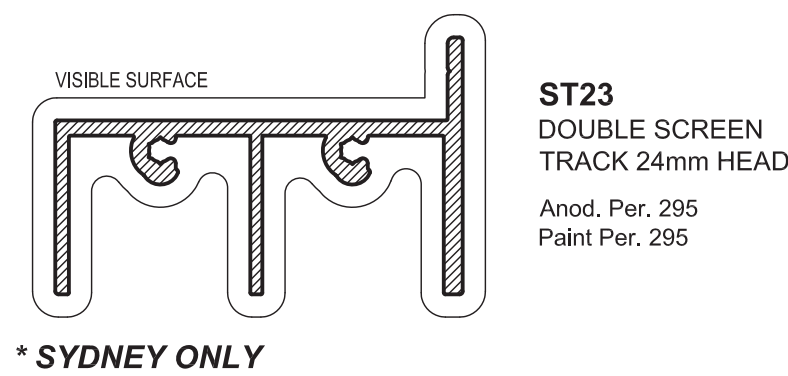
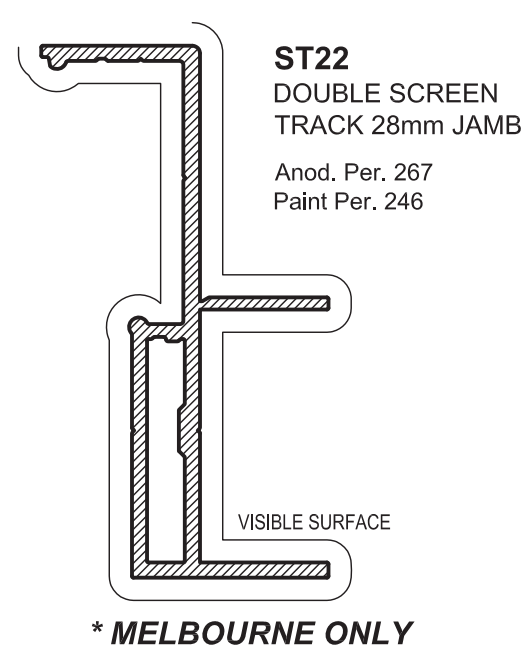
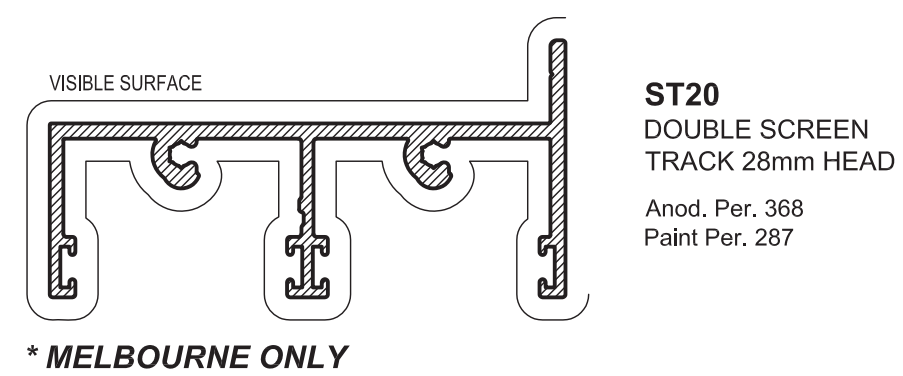
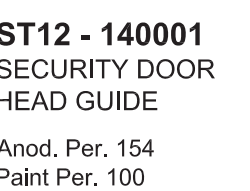
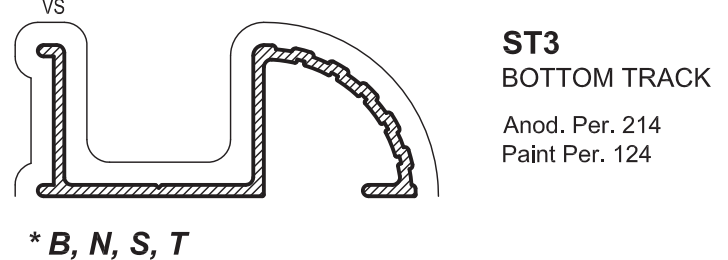
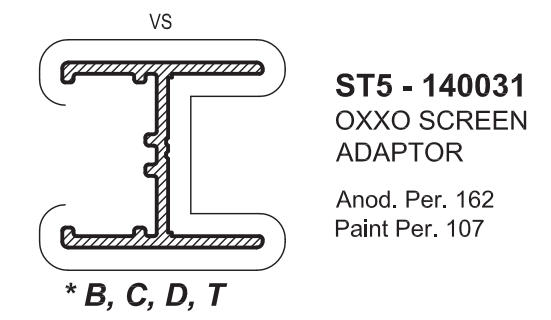
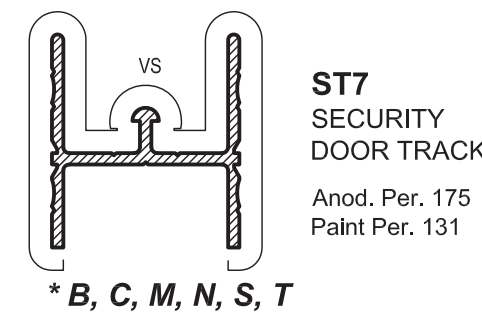
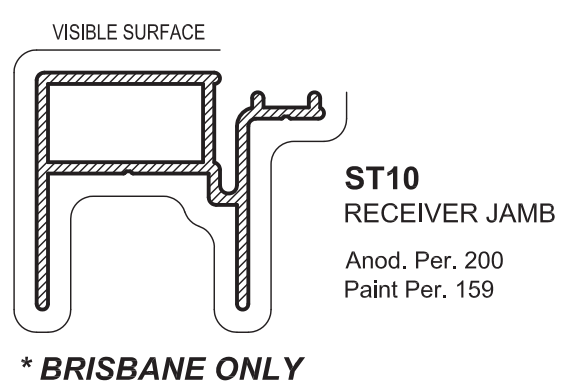
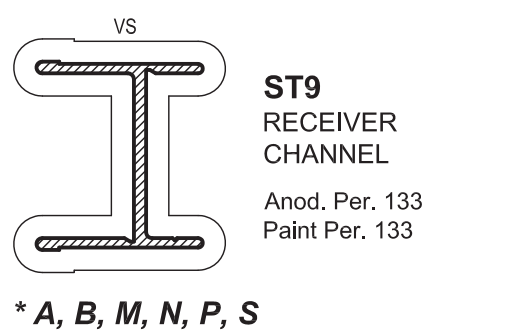
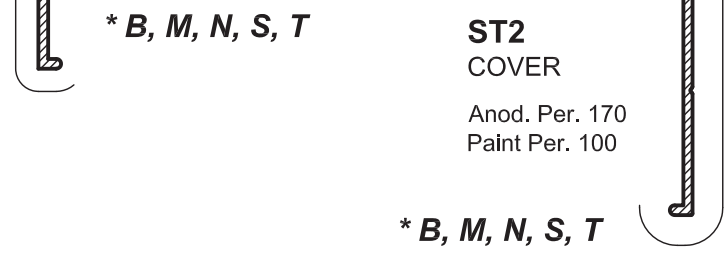
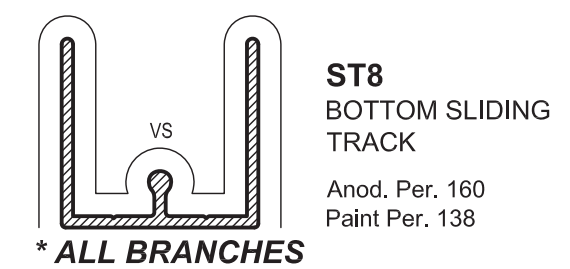
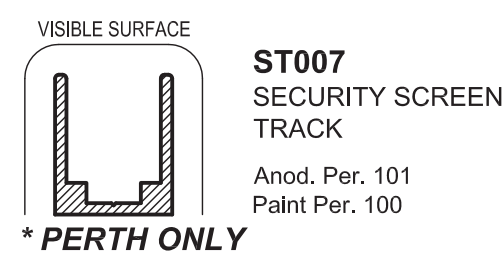
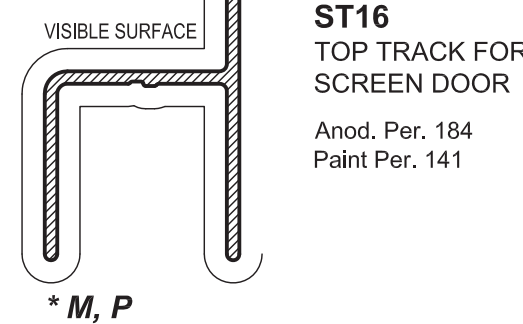
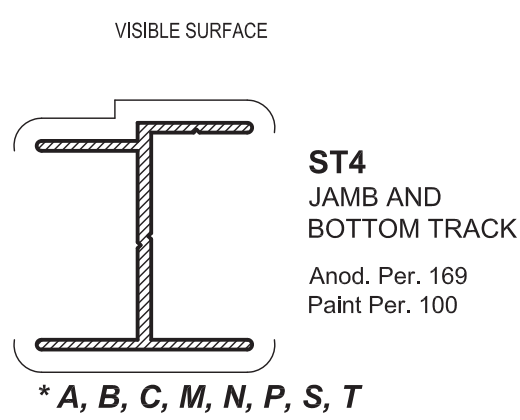
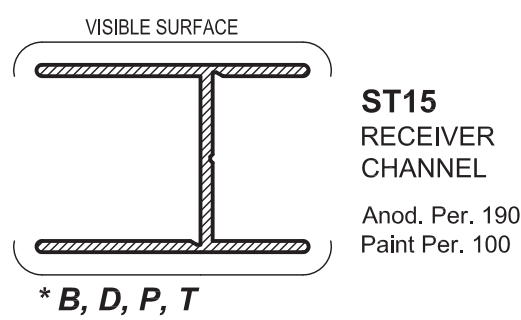
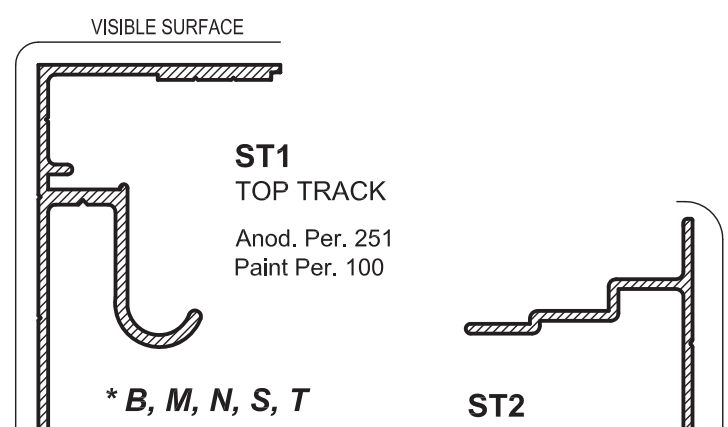


## HD SECTIONS

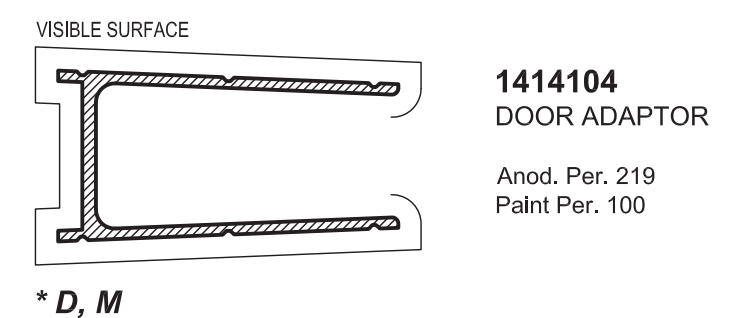
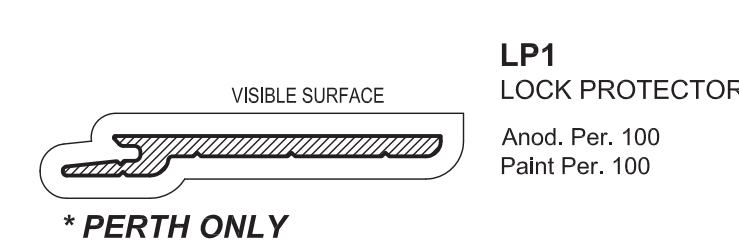
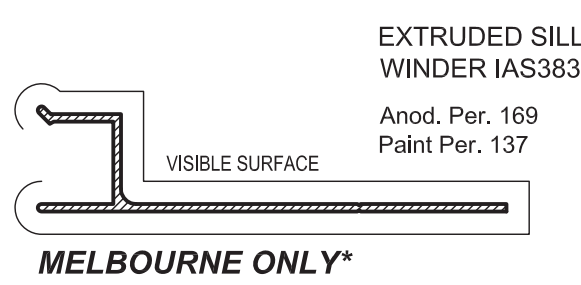
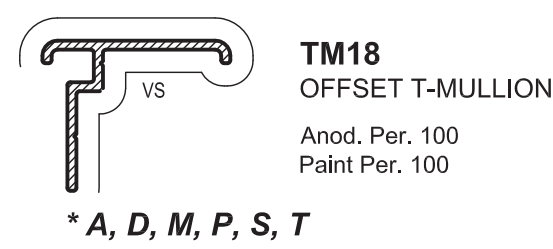
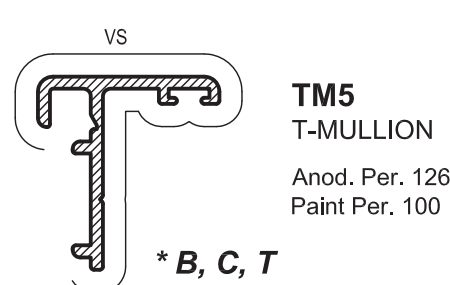
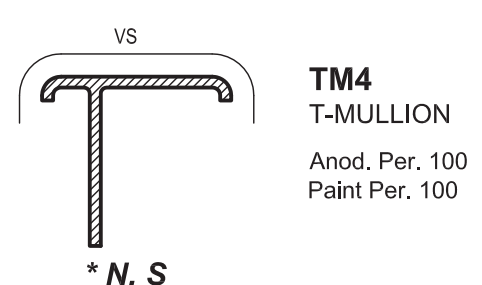
\* DENOTES WHERE STOCKED: A=ADELAIDE, B=BRISBANE, C=CAIRNS, D=DARWIN, M=MELBOURNE, N=NEWCASTLE, P=PERTH, S=SYDNEY, T=TOWNSVILLE



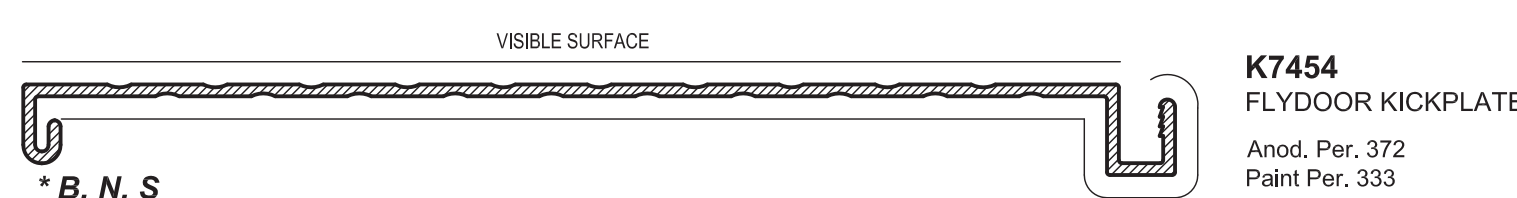
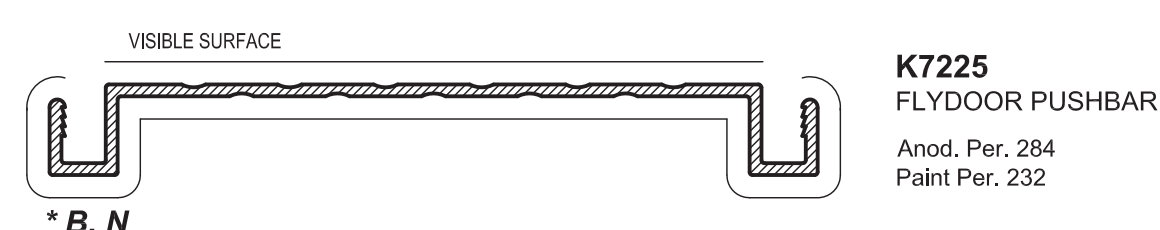
## SLIDING TRACK (ST)



## OTHER SECURITY SECTIONS



## PUSHBAR & KICKPLATE



## BUG STRIP

