

CUSTOMER TECHNICAL MEMO # 138

Subject: 76mm Double Glazed Pocket Framing Option for View-max

Date: 21/2/12

From: Product Development

Please note ALSPEC now have available a 76mm Double glazed pocket framing option to allow the use of highlites, lowlites and sidelites with View-max windows (refer attached detail pages).

ECO251 76mm DG MAINFRAME

ECO252 76mm DG SILL

ECO253 76mm DG BEAD

ECO254 76mm DG GLAZING ADAPTOR

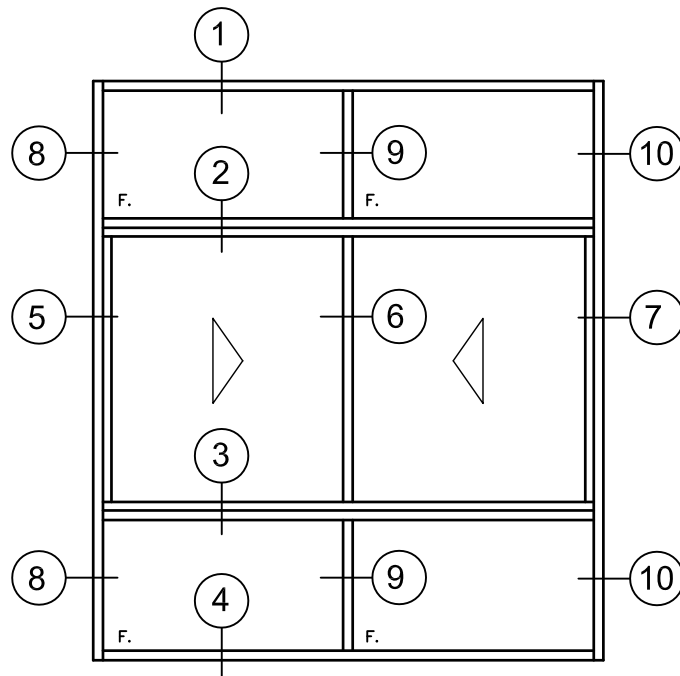
ECO258 76mm DG POCKET INFILL

VM35 76mm DG JAMB ADAPTOR

These extrusions will be added to the View-max Tech Manuals and Wall Charts when next updated. The extrusion drawing pages on the website will be updated as soon as possible.

If you have any questions please do not hesitate to contact your local ALSPEC Area Manager or Sales Office.

76mm VIEWMAX DOUBLE GLAZED SLIDING WINDOW
16mm MAX. GLASS THICKNESS



COPYRIGHT
The Designs, Drawings and Specifications, and the Copyright therein are the property of ALSPEC and must not be passed on to any other party, reproduced or copied wholly or in part without the permission of ALSPEC

TOPIC
76mm Double Glazed Pocket Framing Option for View-max
TECHNICAL MEMO 138

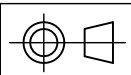
alspec
ALUMINIUM SYSTEMS SPECIALISTS
A.B.N 63 001 252 259
3 ALSPEC PLACE, EASTERN CREEK
N.S.W. 2766
PHONE: (02) 9834 9500
FAX: (02) 9834 9533

DRAWN
WZ

DATE
21.2.12.

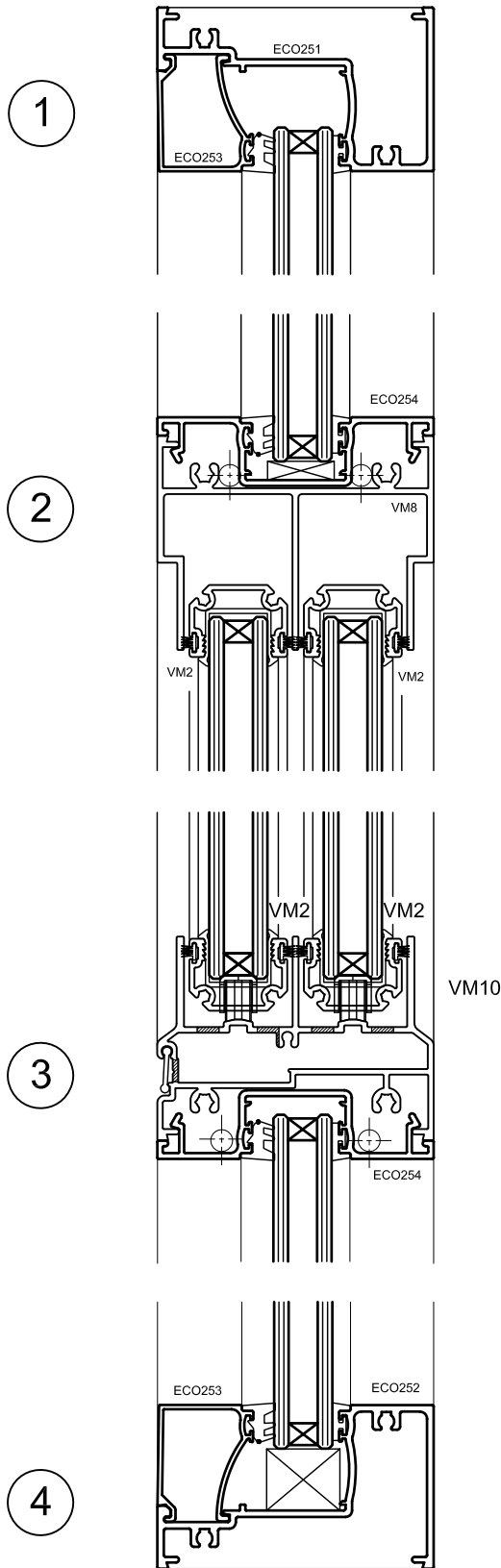
CHECKED
.

SCALE
NTS



DWG No.
TM138-1

REV
.



COPYRIGHT

The Designs, Drawings and Specifications, and the Copyright therein are the property of ALSPEC and must not be passed on to any other party, reproduced or copied wholly or in part without the permission of ALSPEC

TOPIC

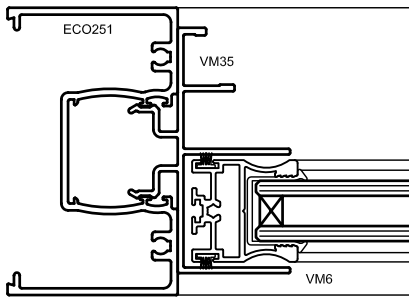
76mm Double Glazed Pocket Framing Option for View-max

TECHNICAL MEMO 138

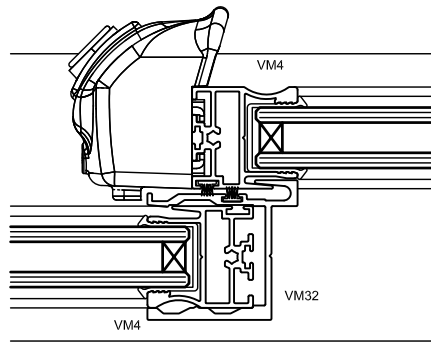


3 ALSPEC PLACE, EASTERN CREEK
N.S.W. 2766
PHONE: (02) 9834 9500
FAX: (02) 9834 9533

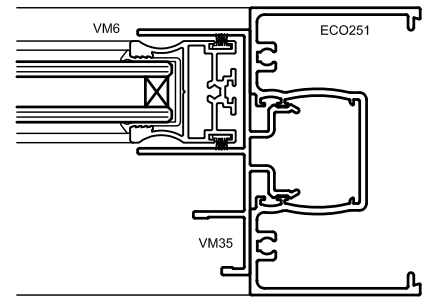
DRAWN WZ	DATE 21.2.12.	CHECKED .	SCALE 1:2 @ A4		DWG No. TM138-2	REV .
-------------	------------------	--------------	-------------------	--	--------------------	----------



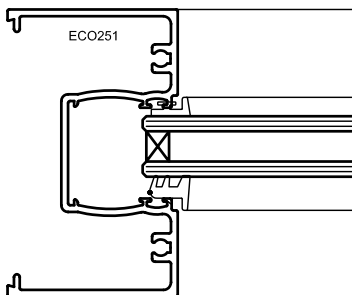
5



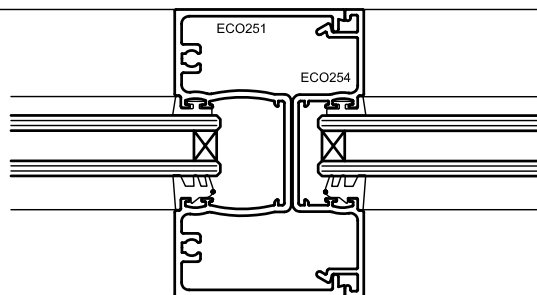
6



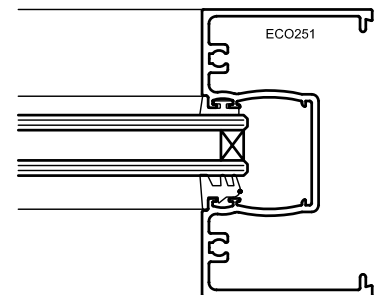
7



8



9



10

COPYRIGHT

The Designs, Drawings and Specifications, and the Copyright therein are the property of ALSPEC and must not be passed on to any other party, reproduced or copied wholly or in part without the permission of ALSPEC

TOPIC

76mm Double Glazed Pocket Framing Option for View-max

TECHNICAL MEMO 138



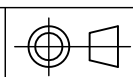
3 ALSPEC PLACE, EASTERN CREEK
N.S.W. 2766
PHONE: (02) 9834 9500
FAX: (02) 9834 9533

DRAWN
WZ

DATE
21.2.12.

CHECKED
.

SCALE
1:2 @ A4



DWG No.
TM138-3

REV
.