

CUSTOMER TECHNICAL MEMO # 146

Subject: 443-H, 443-J, 443-K 35mm Top Hung Awning 18mm Double Glazed Sash Option

Date: 19/6/12

From: Product Development

Please note ALSPEC now have a 443 35mm Top Hung Awning 18mm Double Glazed Sash Option. The following extrusions and accessories are now available.

- 443 – H – Double Glazed Head
- 443 – J - Hinge Sash Double Glazed
- 443 – K - Sash Double Glazed
- GR53 – 18mm DG Channel

Following is a drawing showing the extrusion weights, AP, PP and glazing channel details for your information.

The minimum and maximum specification for the Double Glazed sash is;

Maximum Height	= 1000mm o/a sash
Minimum Height	= 290mm o/a sash
Maximum Width	= 1000mm o/a sash
Minimum Width	= 350mm o/a sash
Maximum Area	= 1.0m ²
Maximum Sash Weight	= 40kg

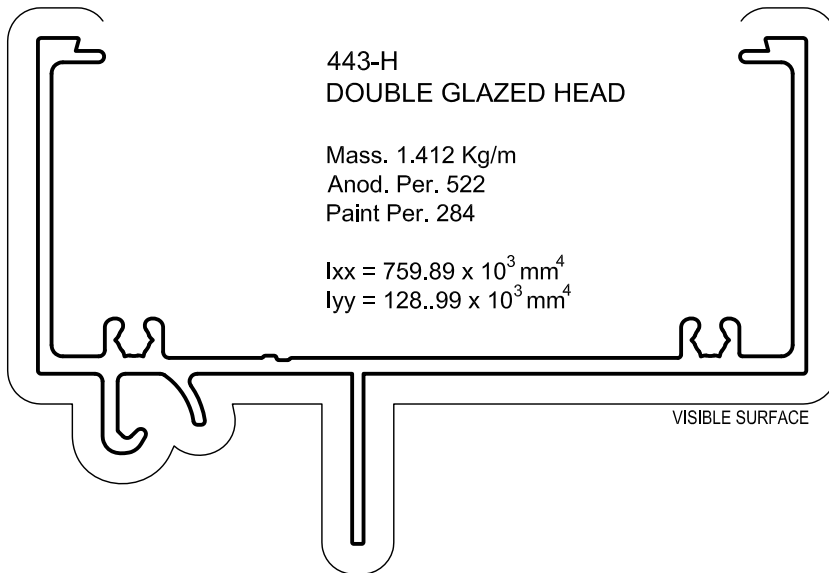
Important notes:

1. Double Glazed sash must be used with 443-H Head
2. 18mm Double Glazing only

Please note 443-H, 443-J, 443-K and GR53 will be included in the next update of the Top Hung Awnings Technical Manual and Wall Chart.

The ALSPEC website .dwg and .dxf files have been updated and published for your use.

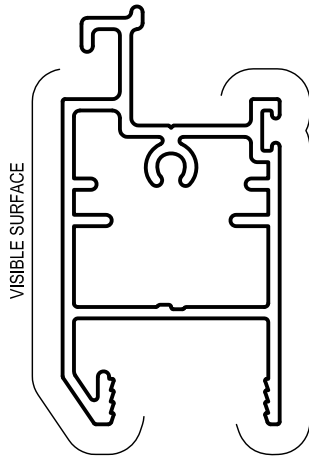
If you have any questions please do not hesitate to contact your local ALSPEC Area Manager or Sales Office.



443-H
DOUBLE GLAZED HEAD

Mass. 1.412 Kg/m
Anod. Per. 522
Paint Per. 284

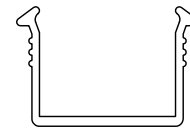
$I_{xx} = 759.89 \times 10^3 \text{ mm}^4$
 $I_{yy} = 128.99 \times 10^3 \text{ mm}^4$



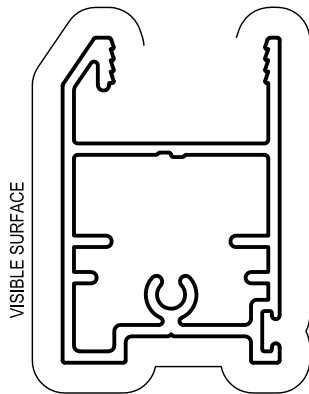
443-J
HINGE SASH D.G

Mass. 0.840 Kg/m
Anod. Per. 239
Paint Per. 114

$I_{xx} = 66.19 \times 10^3 \text{ mm}^4$



GR53 18mm
DG CHANNEL
376087
(40 Metre Roll)



443-K
SASH DOUBLE
GLAZED

Mass. 0.751 Kg/m
Anod. Per. 199
Paint Per. 136

$I_{xx} = 45.89 \times 10^3 \text{ mm}^4$

<p>COPYRIGHT The Designs, Drawings and Specifications, and the Copyright therein are the property of ALSPEC and must not be passed on to any other party, reproduced or copied wholly or in part without the permission of ALSPEC</p>	<p>TOPIC</p> <p>443 35mm TOP HUNG AWNING 18mm DOUBLE GLAZED OPTION</p>		<p>3 ALSPEC PLACE, EASTERN CREEK N.S.W. 2766 PHONE: (02) 9834 9500 FAX: (02) 9834 9533</p>			
	<p>DRAWN</p> <p>SMC</p>	<p>DATE</p> <p>19.6.12.</p>				<p>CHECKED</p> <p>.</p>