

## CUSTOMER TECHNICAL MEMO # 225

**Subject: Air-Flo Security Jamb Fixing Details**

**Date:** March 2015

We are very pleased to advise that we have made a change to the Security Jamb for the Air-Flo Louvre Framing System.

- IAS-845 SECURITY JAMB (1862842) is being replaced with AF38
- AF38 now has countersunk holes to ensure the screws do not foul the Louvre Galleries
- Once existing stock of IAS-845 has run out only the new AF38 with countersunk holes will be stocked
- The reason for the change is that the previous version with a punched hole using just pan head screws had problems with the screw head fouling the Louvre Gallery
- To ensure the correct fixing we have also sourced the exact specification of countersunk security screw required
- The screws come with a BLACK paint finish on the head and are stocked in boxes of 1,000
- See component details below and drawing over page

### **AF38 SECURITY JAMB WITH COUNTERSUNK HOLE**

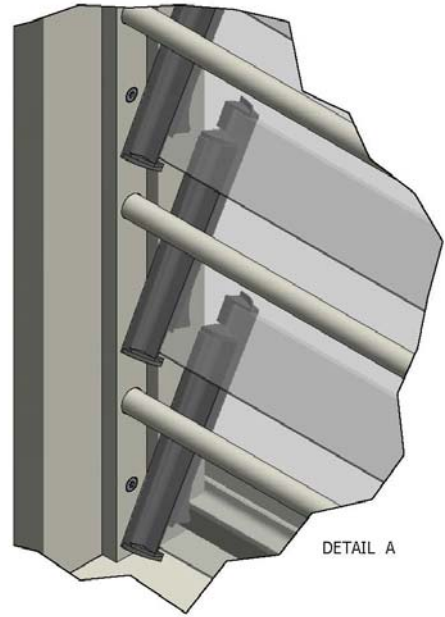
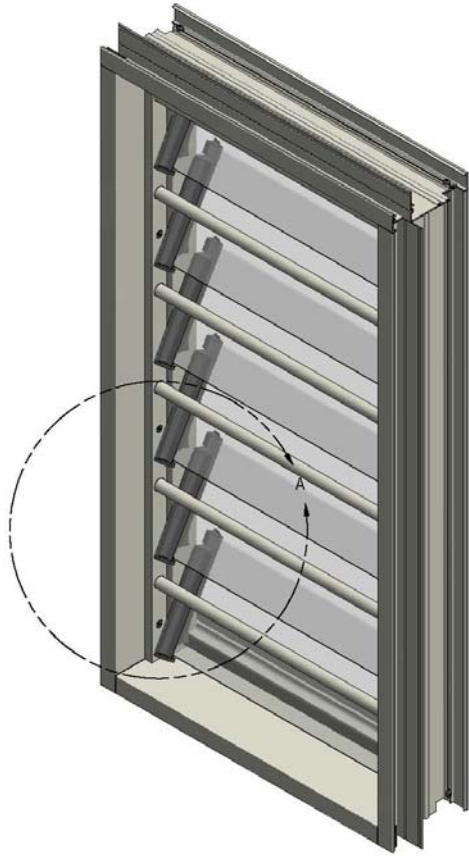
**Part No# 1604286**

### **SECURITY JAMB SCREW (CSK) 25mm SELF DRILLING Box of 1,000**

**Part No# 1383107**

**Finish: 034 Black**





If you have any questions please do not hesitate to contact your Area Manager or local Branch.