

**CUSTOMER TECHNICAL MEMO # 268**

**Subject** New Wide Stiles, Interlocks and Rails for ProGlide

**Date:** 25th July 2016

**Author:** Product Development Team

We are very pleased to advise that we have further extended the options in ProGlide through the addition of a range of Wide Stiles, Interlocks and Rails.

AD889, AD890 and AD891 have been designed to complement the On-site Single Glazed sashes and AD863, AD864 and AS866 are for the On-site Double Glazed sashes.

Code	Description
1602540	AD863 PROGLIDE OSG DG 110mm Beaded Rail
1602541	AD864 PROGLIDE OSG DG 109mm Interlock Stile
1602542	AD866 PROGLIDE OSG DG 109mm Lock Stile
1602530	AD889 PROGLIDE OSG SG 109mm Lock Stile
1602531	AD890 PROGLIDE OSG SG 110mm Beaded Rail
1602532	AD891 PROGLIDE OSG SG 109mm Interlock

These sections will not fit into existing tooling.

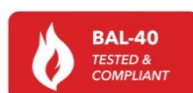
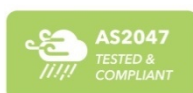
They will be added to AiQ in a future update.

Sections will be stocked in Adelaide Branch.

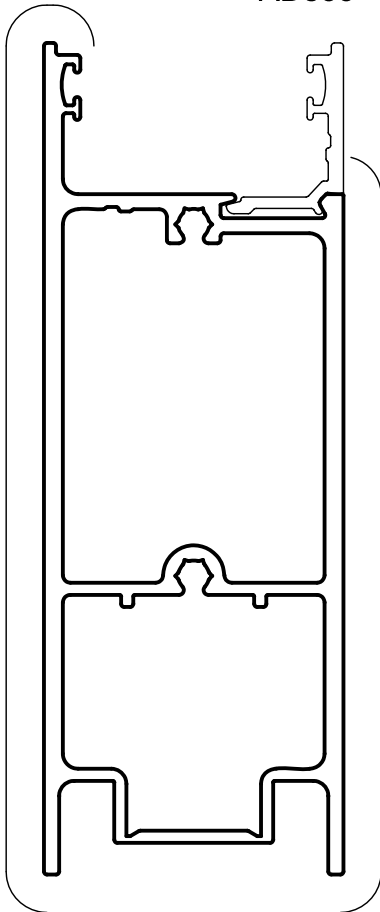
Please refer to following pages for images. All extrusions have been added to the next update of the ProGlide Wall Chart. The Technical Manuals will be updated when next released.

Kind Regards

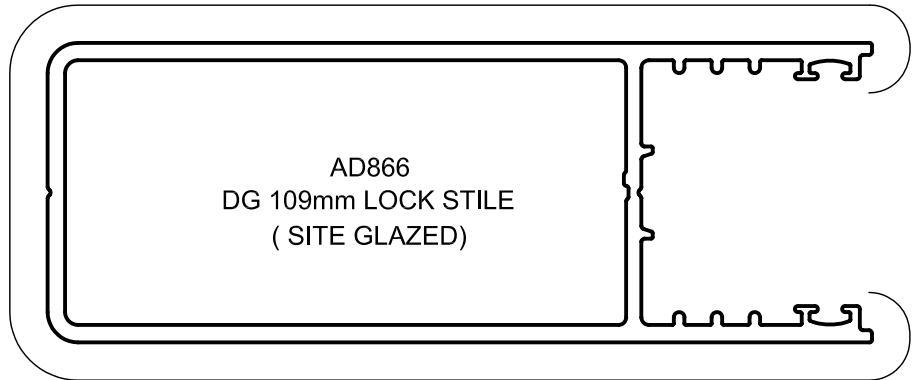
Product Development Team



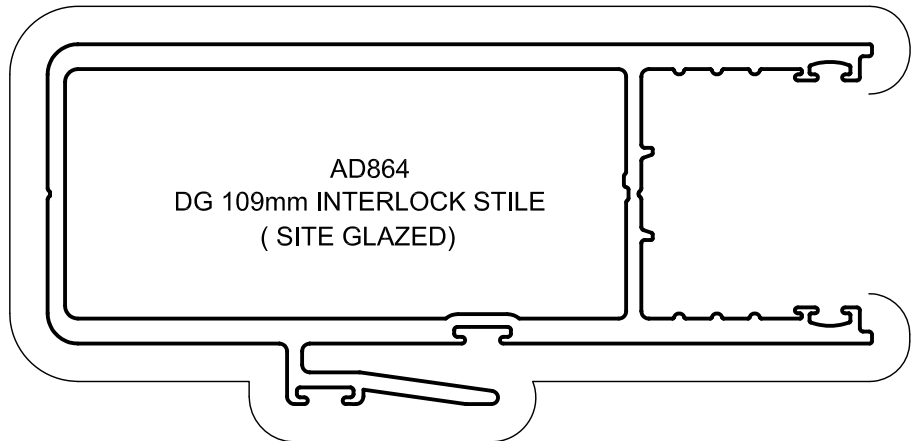
AD833





AD863  
 DG 110mm BEADED RAIL  
 ( SITE GLAZED)

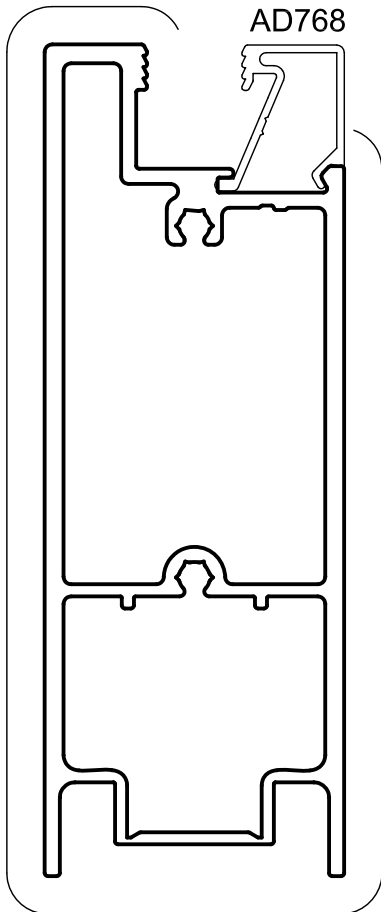


AD866  
 DG 109mm LOCK STILE  
 ( SITE GLAZED)

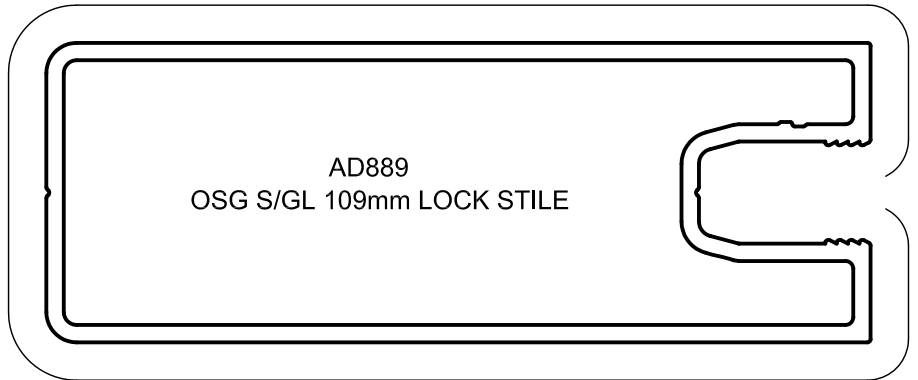


AD864  
 DG 109mm INTERLOCK STILE  
 ( SITE GLAZED)

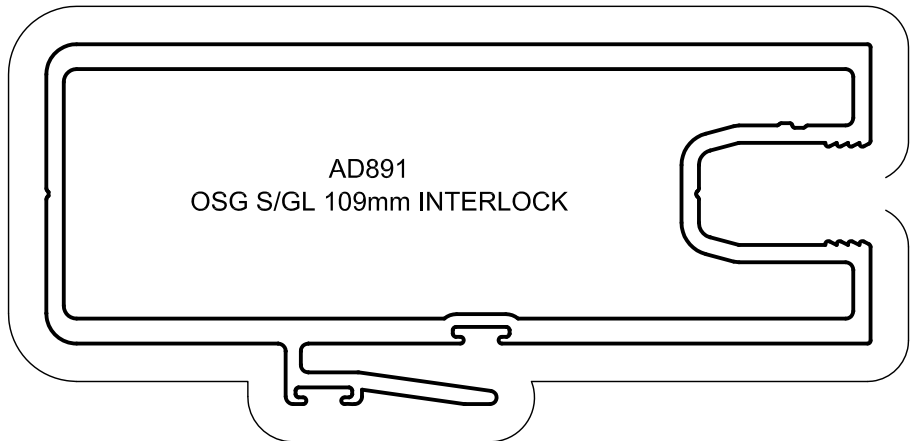
<p><b>COPYRIGHT</b>          The Designs, Drawings and Specifications, and the Copyright therein are the property of ALSPEC and must not be passed on to any other party, reproduced or copied wholly or in part without the permission of ALSPEC</p>	<p>TOPIC</p> <ul style="list-style-type: none"> <li>▪</li> <li>▪</li> <li>▪</li> </ul>			 <b>alspec</b> ALUMINIUM SYSTEMS SPECIALISTS A.B.N 63 001 252 259 3 ALSPEC PLACE, EASTERN CREEK N.S.W. 2766 PHONE: (02) 9834 9500 FAX: (02) 9834 9533		
<p>DRAWN          WZ</p>	<p>DATE          6.7.2016</p>	<p>CHECKED          .</p>	<p>SCALE          1:1 @ A4</p>		<p>DWG No.          TM # 268</p>	<p>REV          .</p>



AD890  
110mm SG BEADED RAIL



AD889  
OSG S/GL 109mm LOCK STILE



AD891  
OSG S/GL 109mm INTERLOCK

<p><b>COPYRIGHT</b> The Designs, Drawings and Specifications, and the Copyright therein are the property of ALSPEC and must not be passed on to any other party, reproduced or copied wholly or in part without the permission of ALSPEC</p>		<p>TOPIC</p> <ul style="list-style-type: none"> <li>▪</li> <li>▪</li> <li>▪</li> </ul>			<p><b>alspec</b> ALUMINIUM SYSTEMS SPECIALISTS A.B.N 63 001 252 259 3 ALSPEC PLACE, EASTERN CREEK N.S.W. 2766 PHONE: (02) 9834 9500 FAX: (02) 9834 9533</p>	
<p>DRAWN WZ</p>	<p>DATE 6.7.2016</p>	<p>CHECKED .</p>	<p>SCALE 1:1 @ A4</p>	