

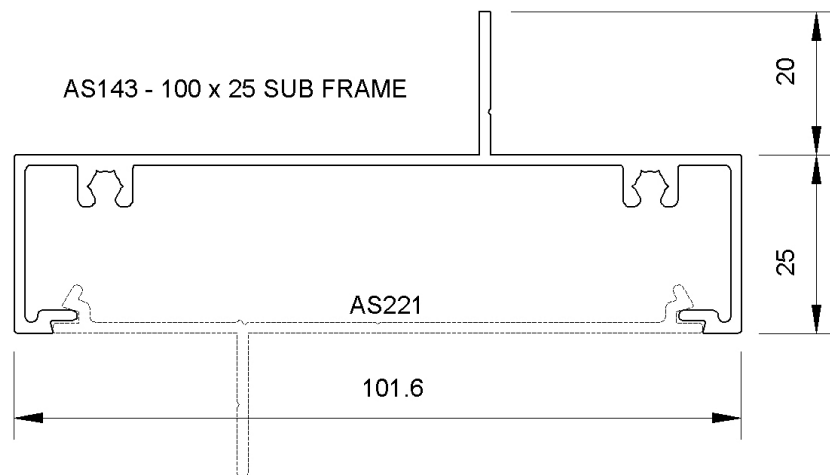
CUSTOMER TECHNICAL MEMO # 180

Subject: AS143 - 100 x 25mm Sub Frame Release

Date: 12/9/2013

From: Product Development

A new sub frame AS143 (1)606105 to suit the McArthur system shall be available for order.



APPLICATION

The sub frame is intended for smaller frame inserts to allow for integration into a McArthur system.

- Smaller frame sizes such as residential products can be inserted into this frame up to 65mm in frame width.
- AS143 can integrate current adaptors including glazing, reveal fin and flush infill.
- Can be used as a perimeter frame for residential or commercial awning sash inserts. Restricted sash weights will apply.

NOTE: Machining of the 20mm up stand leg will be required for assembly of frame. Optional Tooling can be supplied.

If you have any questions please contact your local Area Manager or Sales Office.