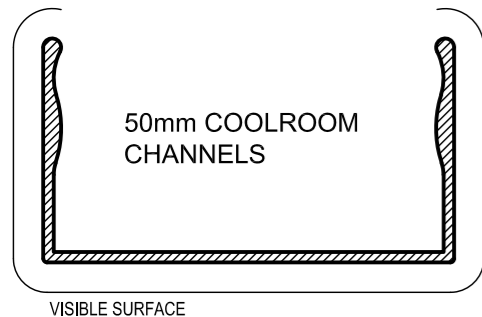
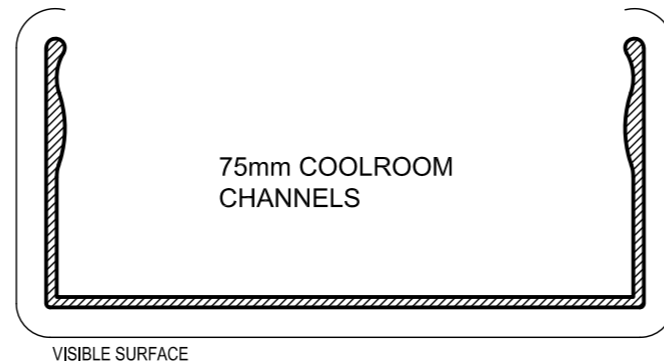


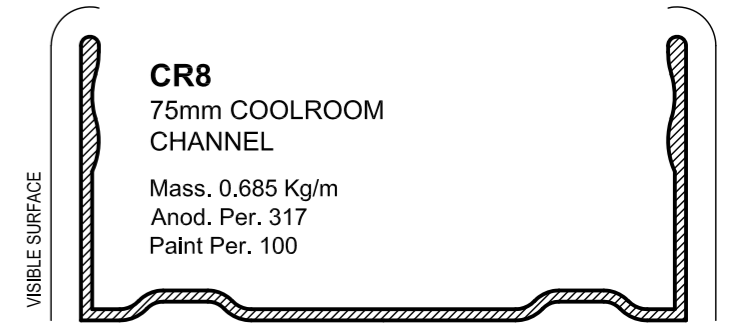
Cool Room & Portable Buildings



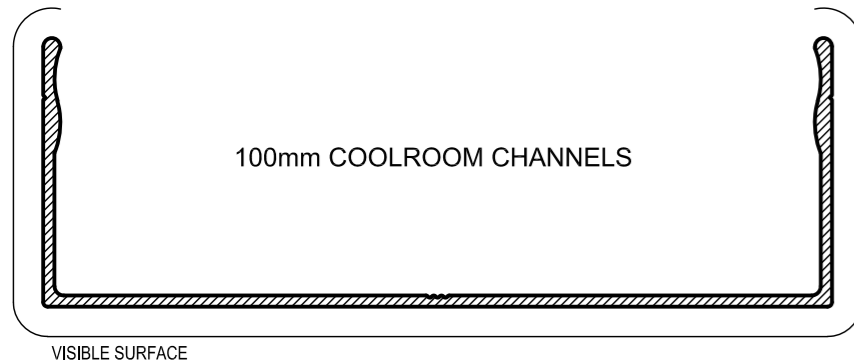
| DESCRIPTION | MASS | AP | PP |
|--------------------------------|------------|-----|-----|
| CH5 CR11 50mm COOLROOM CHANNEL | 0.507 kg/m | 229 | 121 |
| ALC070 50mm COOLROOM CHANNEL | 0.497 kg/m | 229 | 117 |
| ALC070L 50mm COOLROOM CHANNEL | 0.477 kg/m | 227 | 120 |



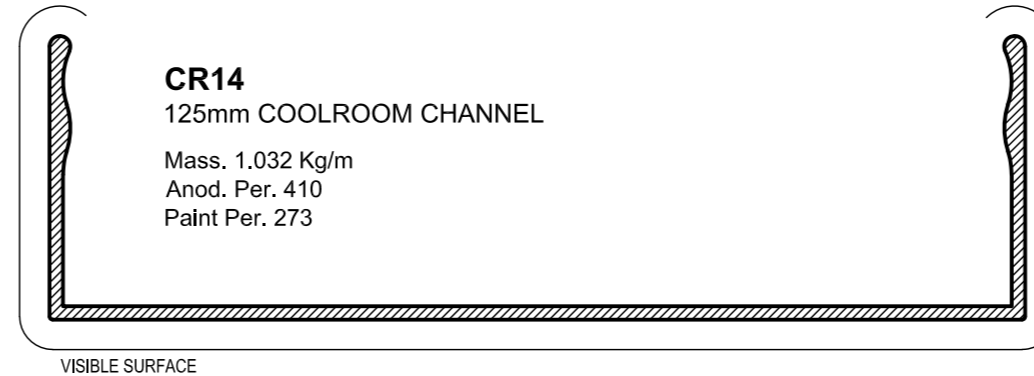
| DESCRIPTION | MASS | AP | PP |
|-------------------------------|------------|-----|-----|
| CR12 75mm COOLROOM CHANNEL | 0.672 kg/m | 312 | 161 |
| ALC071 75mm COOLROOM CHANNEL | 0.642 kg/m | 302 | 154 |
| ALC071L 75mm COOLROOM CHANNEL | 0.625 kg/m | 302 | 157 |



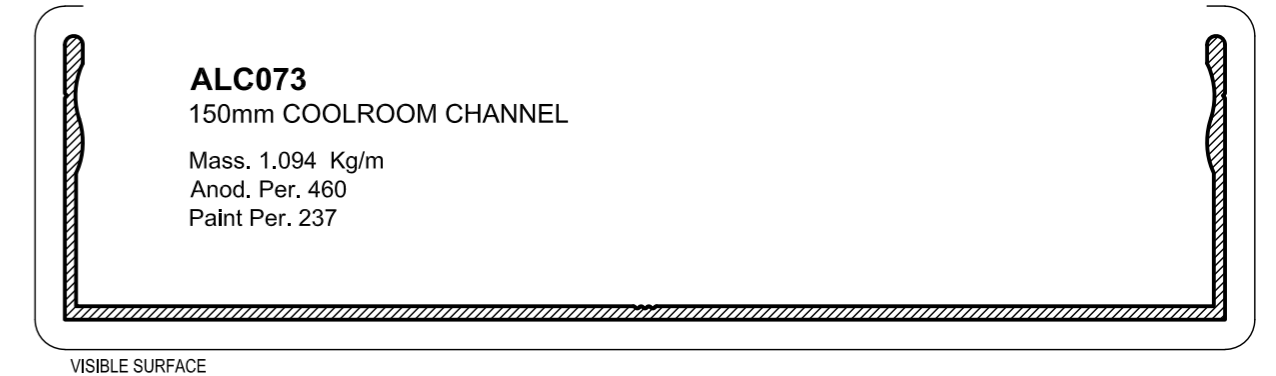
CR8
75mm COOLROOM CHANNEL
Mass. 0.685 Kg/m
Anod. Per. 317
Paint Per. 100



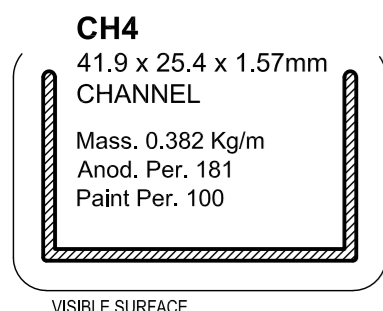
| DESCRIPTION | MASS | AP | PP |
|--------------------------------|------------|-----|-----|
| CR13 100mm COOLROOM CHANNEL | 0.774 kg/m | 361 | 185 |
| ALC072 100mm COOLROOM CHANNEL | 0.741 kg/m | 351 | 179 |
| ALC072L 100mm COOLROOM CHANNEL | 0.723 kg/m | 354 | 184 |



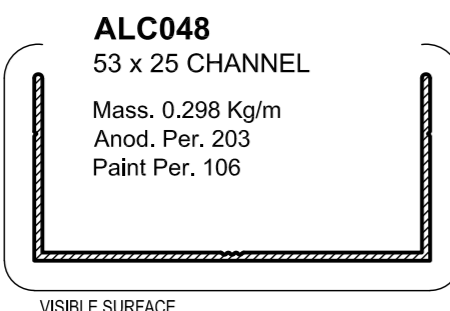
CR14
125mm COOLROOM CHANNEL
Mass. 1.032 Kg/m
Anod. Per. 410
Paint Per. 273



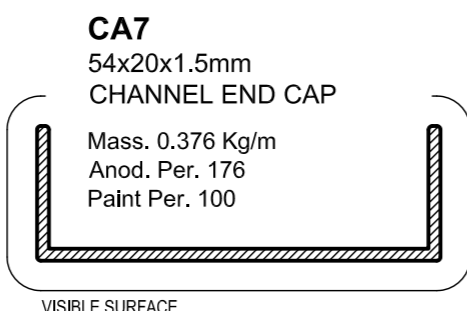
ALC073
150mm COOLROOM CHANNEL
Mass. 1.094 Kg/m
Anod. Per. 460
Paint Per. 237



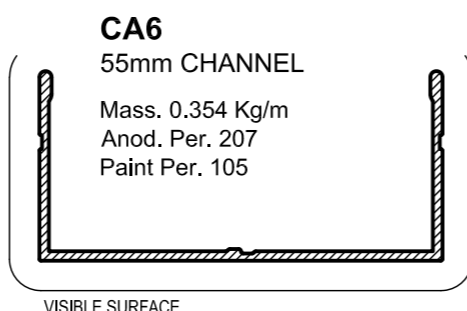
CH4
41.9 x 25.4 x 1.57mm CHANNEL
Mass. 0.382 Kg/m
Anod. Per. 181
Paint Per. 100



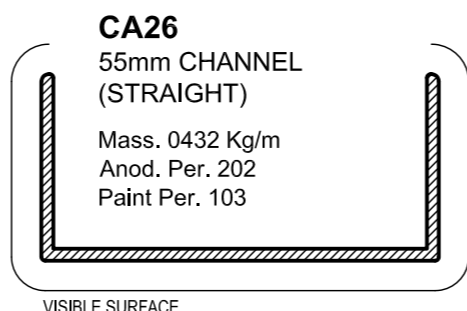
ALC048
53 x 25 CHANNEL
Mass. 0.298 Kg/m
Anod. Per. 203
Paint Per. 106



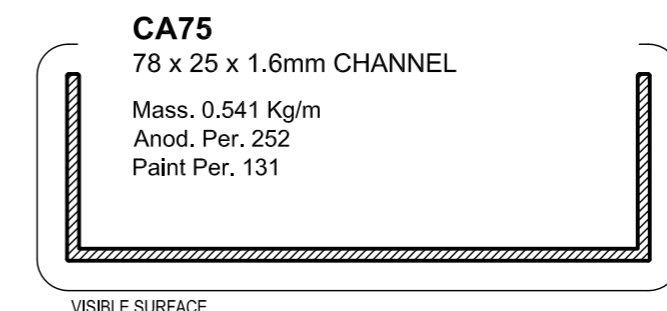
CA7
54x20x1.5mm CHANNEL END CAP
Mass. 0.376 Kg/m
Anod. Per. 176
Paint Per. 100



CA6
55mm CHANNEL
Mass. 0.354 Kg/m
Anod. Per. 207
Paint Per. 105



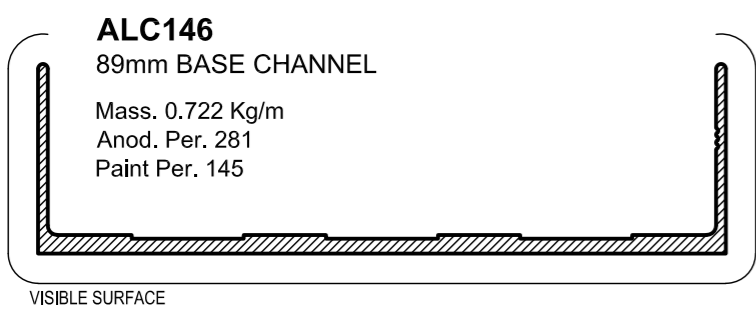
CA26
55mm CHANNEL (STRAIGHT)
Mass. 0.432 Kg/m
Anod. Per. 202
Paint Per. 103



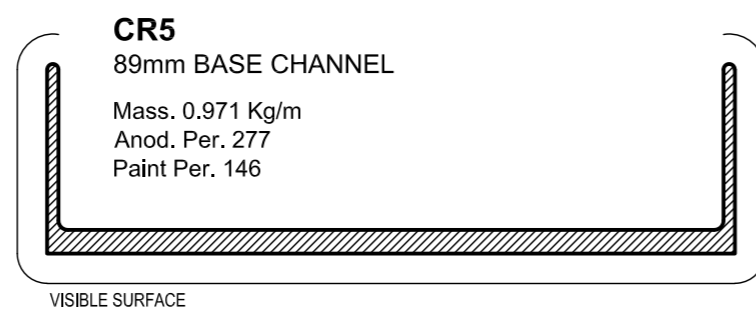
CA75
78 x 25 x 1.6mm CHANNEL
Mass. 0.541 Kg/m
Anod. Per. 252
Paint Per. 131



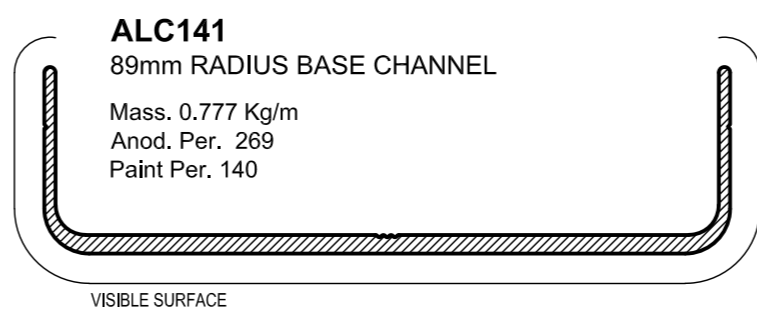
ALC074
100mm COOLROOM CHANNEL
Mass. 0.755 Kg/m
Anod. Per. 354
Paint Per. 182



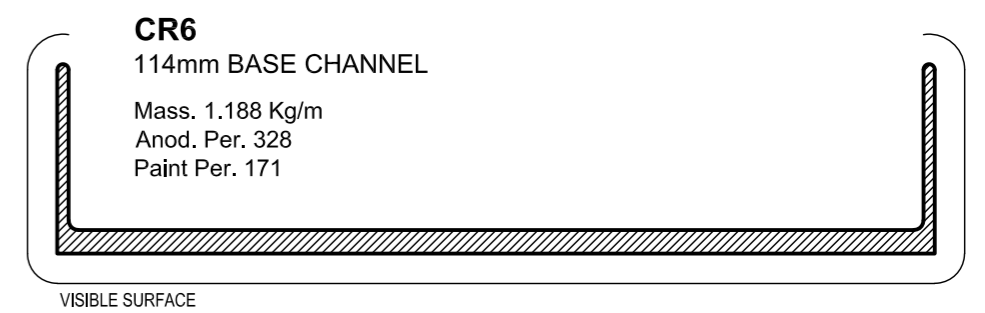
ALC146
89mm BASE CHANNEL
Mass. 0.722 Kg/m
Anod. Per. 281
Paint Per. 145



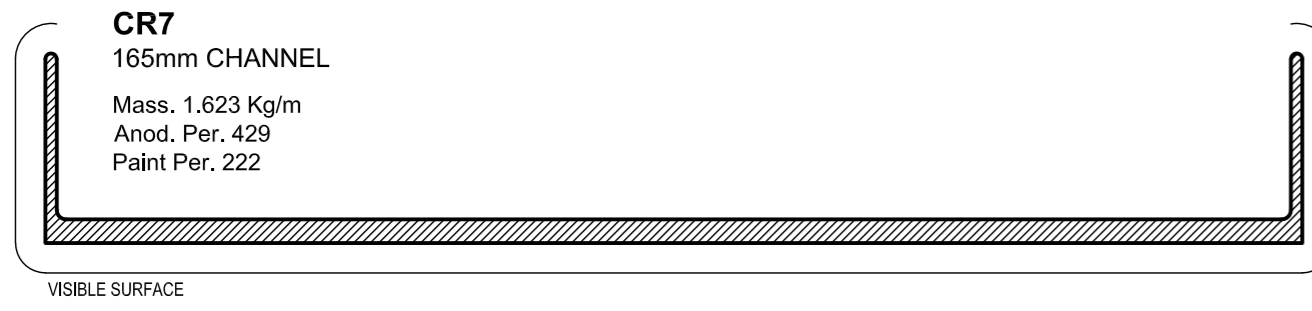
CR5
89mm BASE CHANNEL
Mass. 0.971 Kg/m
Anod. Per. 277
Paint Per. 146



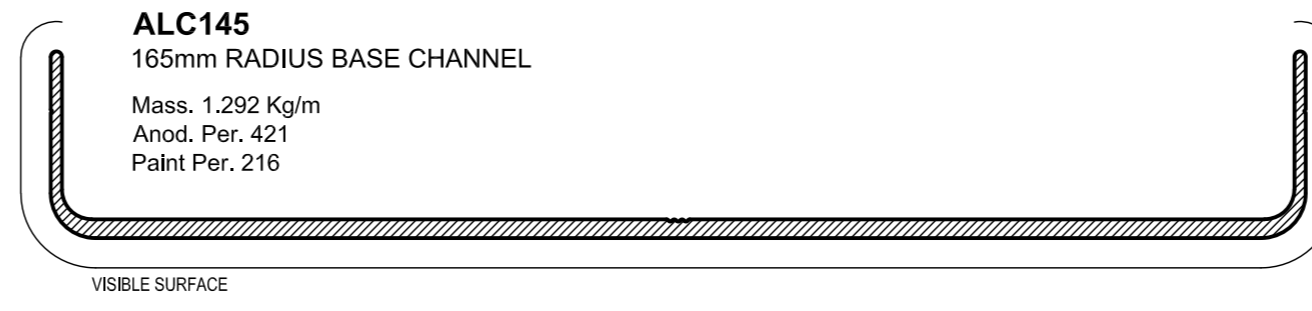
ALC141
89mm RADIUS BASE CHANNEL
Mass. 0.777 Kg/m
Anod. Per. 269
Paint Per. 140



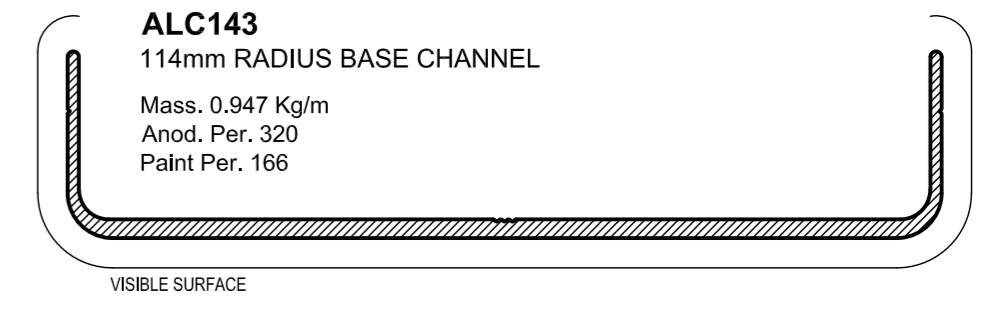
CR6
114mm BASE CHANNEL
Mass. 1.188 Kg/m
Anod. Per. 328
Paint Per. 171



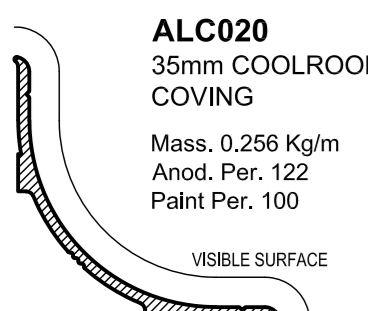
CR7
165mm CHANNEL
Mass. 1.623 Kg/m
Anod. Per. 429
Paint Per. 222



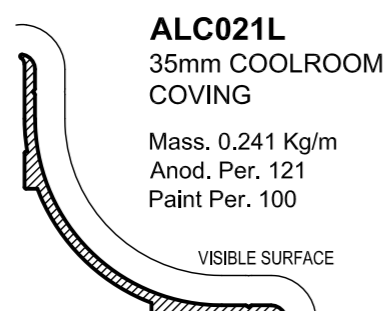
ALC145
165mm RADIUS BASE CHANNEL
Mass. 1.292 Kg/m
Anod. Per. 421
Paint Per. 216



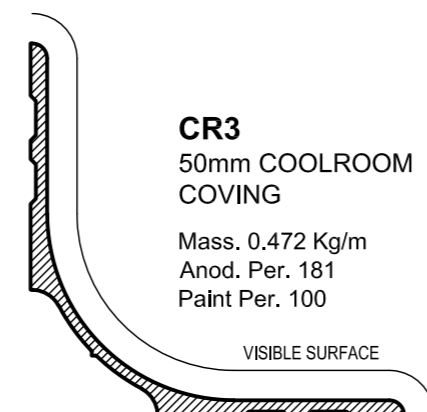
ALC143
114mm RADIUS BASE CHANNEL
Mass. 0.947 Kg/m
Anod. Per. 320
Paint Per. 166



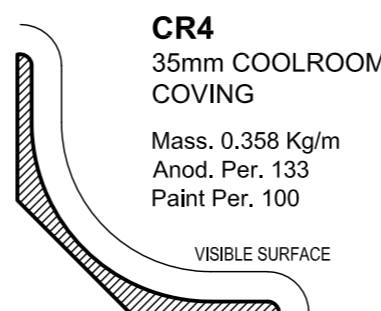
ALC020
35mm COOLROOM COVING
Mass. 0.256 Kg/m
Anod. Per. 122
Paint Per. 100



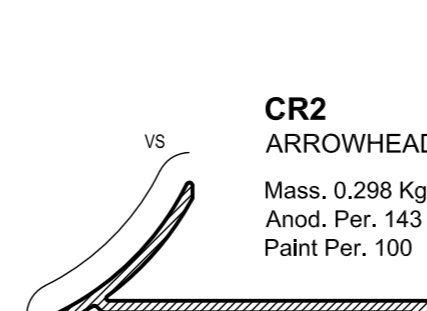
ALC021L
35mm COOLROOM COVING
Mass. 0.241 Kg/m
Anod. Per. 121
Paint Per. 100



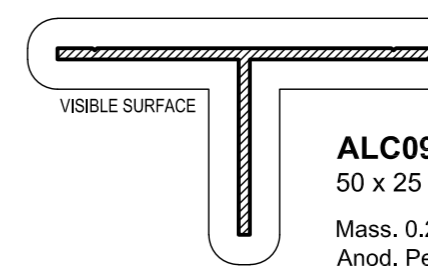
CR3
50mm COOLROOM COVING
Mass. 0.472 Kg/m
Anod. Per. 181
Paint Per. 100



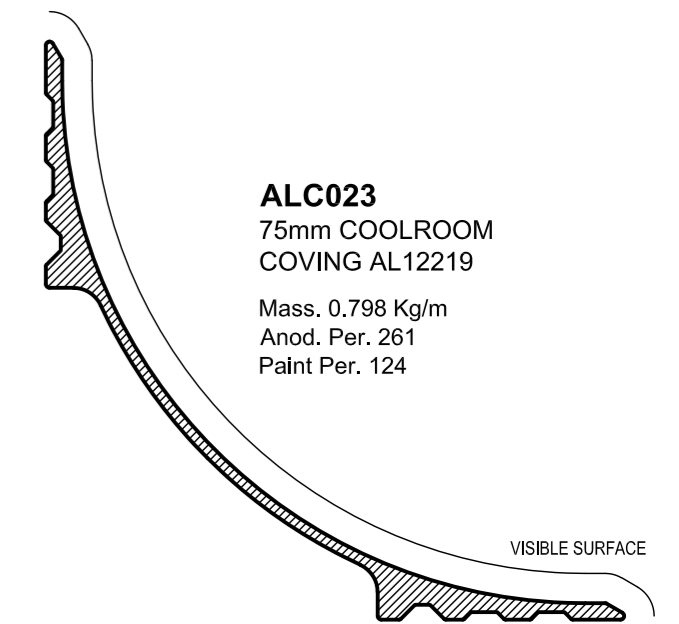
CR4
35mm COOLROOM COVING
Mass. 0.358 Kg/m
Anod. Per. 133
Paint Per. 100



CR2
ARROWHEAD
Mass. 0.298 Kg/m
Anod. Per. 143
Paint Per. 100



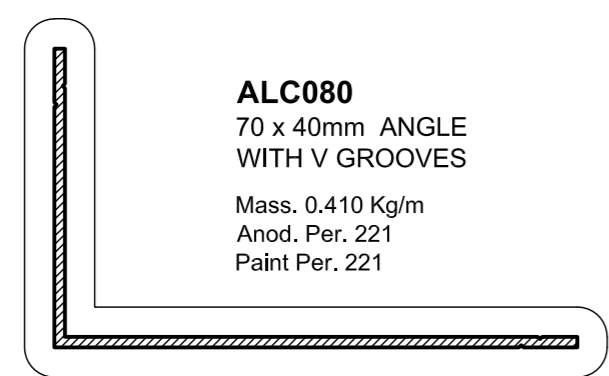
ALC091
50 x 25 x 1.5mm TEE
Mass. 0.297 Kg/m
Anod. Per. 150
Paint Per. 150



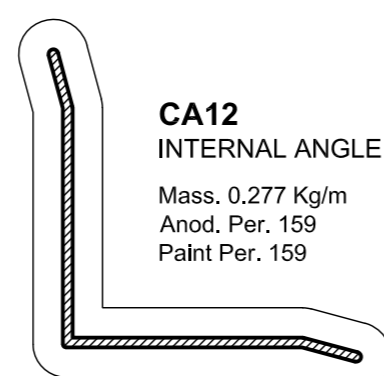
ALC023
75mm COOLROOM COVING AL12219
Mass. 0.798 Kg/m
Anod. Per. 261
Paint Per. 124



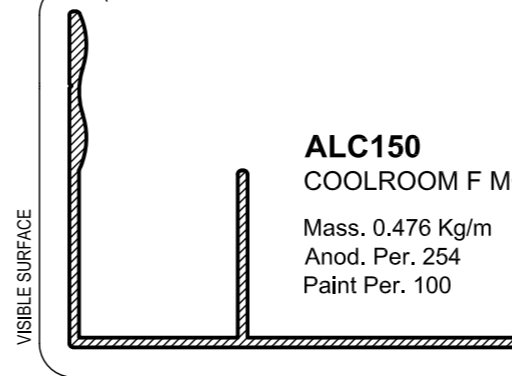
ALC079
40 x 40mm ANGLE WITH V GROOVES
Mass. 0.296 Kg/m
Anod. Per. 161
Paint Per. 161



ALC080
70 x 40mm ANGLE WITH V GROOVES
Mass. 0.410 Kg/m
Anod. Per. 221
Paint Per. 221



CA12
INTERNAL ANGLE
Mass. 0.277 Kg/m
Anod. Per. 159
Paint Per. 159



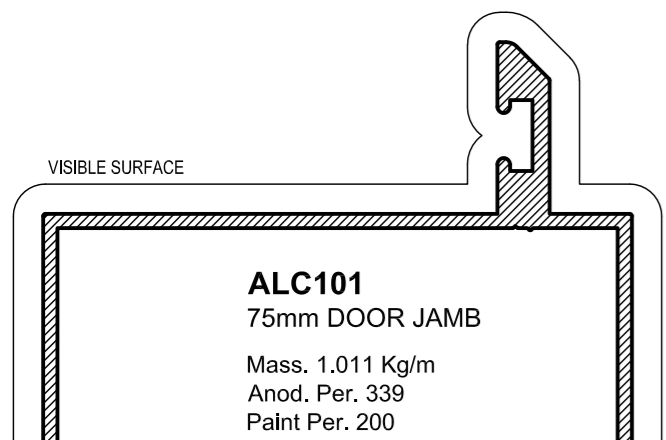
ALC150
COOLROOM F MOULD
Mass. 0.476 Kg/m
Anod. Per. 254
Paint Per. 100



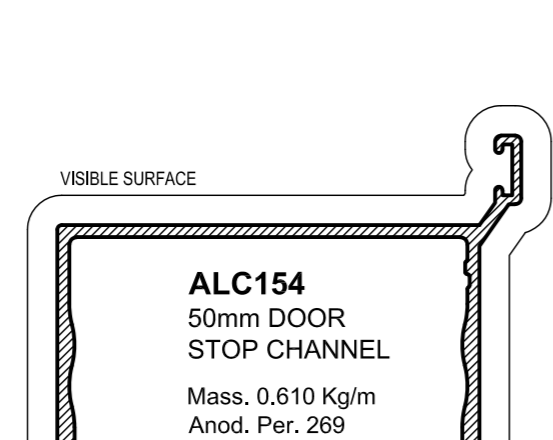
CR18
HEAVY DUTY HINGE BEAM
Mass. 1.640 Kg/m
Anod. Per. 253
NO VISIBLE SURFACE



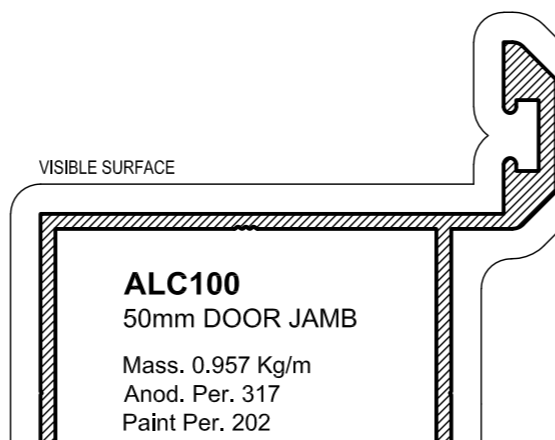
ALC152
HINGE BEAM
Mass. 0.939 Kg/m
Anod. Per. 283
Paint Per. 283



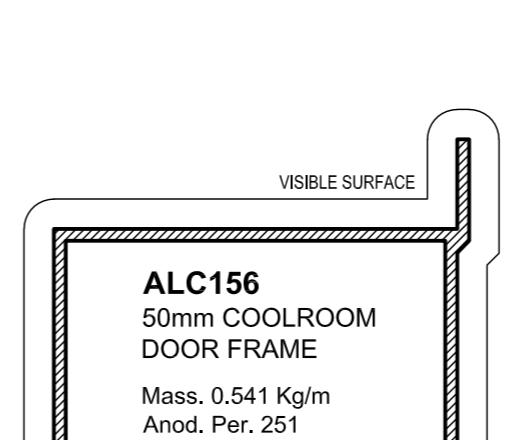
ALC101
75mm DOOR JAMB
Mass. 1.011 Kg/m
Anod. Per. 339
Paint Per. 200



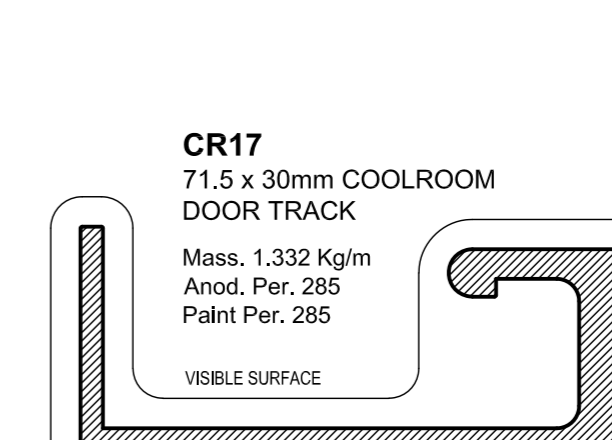
ALC154
50mm DOOR STOP CHANNEL
Mass. 0.610 Kg/m
Anod. Per. 269
Paint Per. 161



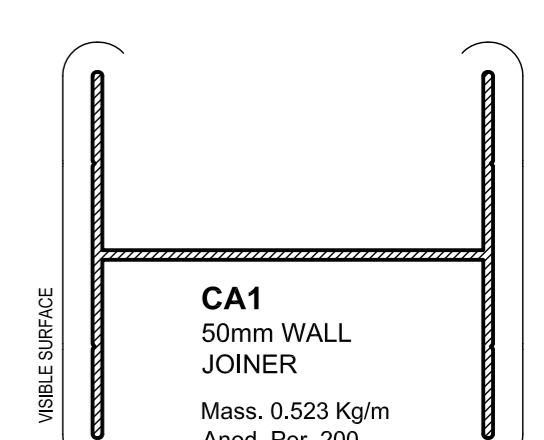
ALC100
50mm DOOR JAMB
Mass. 0.957 Kg/m
Anod. Per. 317
Paint Per. 202



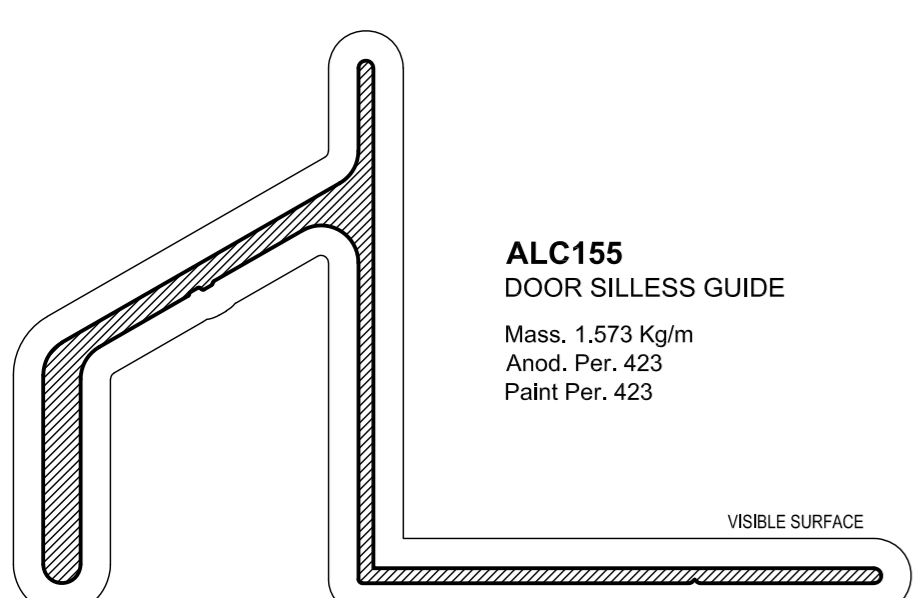
ALC156
50mm COOLROOM DOOR FRAME
Mass. 0.541 Kg/m
Anod. Per. 251
Paint Per. 140



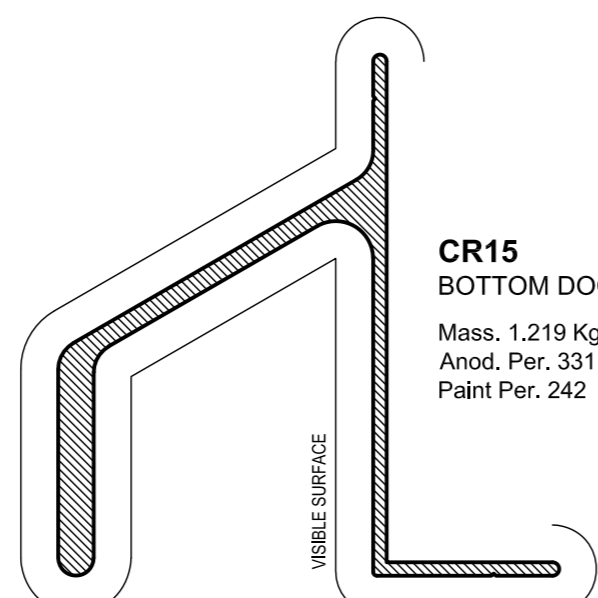
CR17
71.5 x 30mm COOLROOM DOOR TRACK
Mass. 1.332 Kg/m
Anod. Per. 285
Paint Per. 285



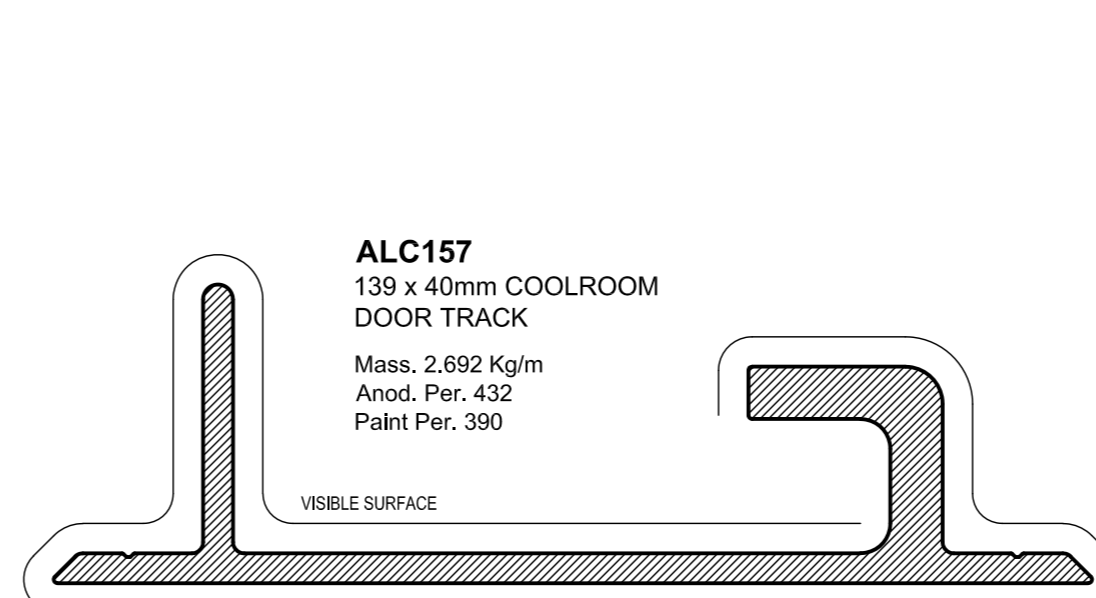
CA1
50mm WALL JOINER
Mass. 0.523 Kg/m
Anod. Per. 200
Paint Per. 103



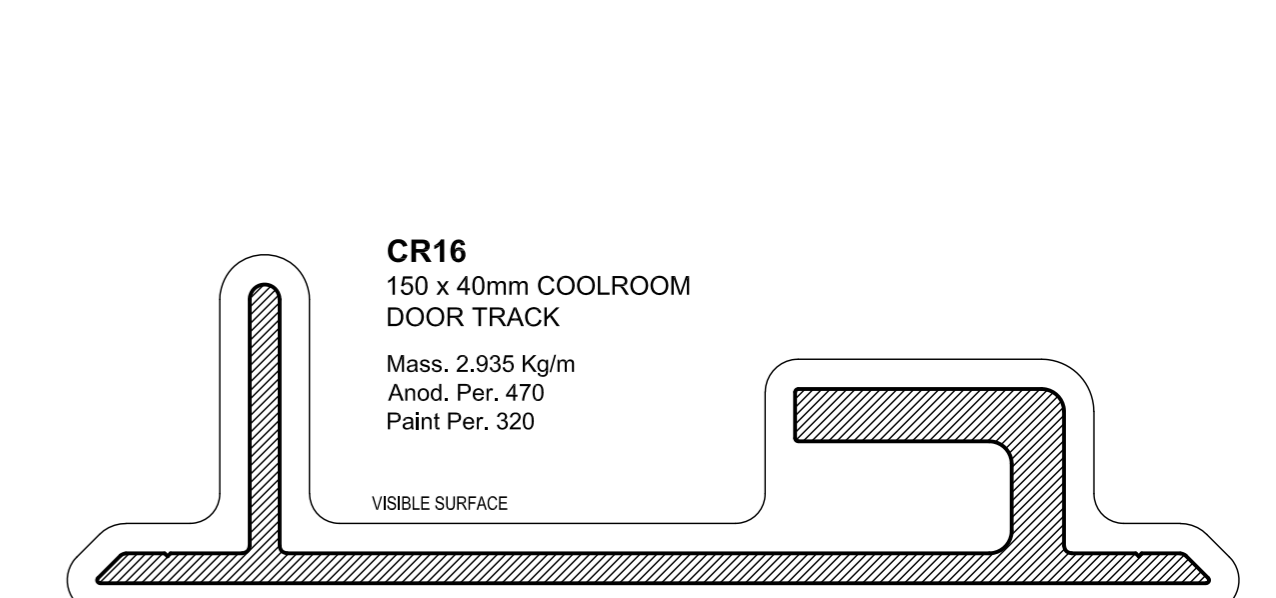
ALC155
DOOR SILLESS GUIDE
Mass. 1.573 Kg/m
Anod. Per. 423
Paint Per. 423



CR15
BOTTOM DOOR TRACK
Mass. 1.219 Kg/m
Anod. Per. 331
Paint Per. 242



ALC157
139 x 40mm COOLROOM DOOR TRACK
Mass. 2.692 Kg/m
Anod. Per. 432
Paint Per. 390



CR16
150 x 40mm COOLROOM DOOR TRACK
Mass. 2.935 Kg/m
Anod. Per. 470
Paint Per. 320