

# WIN

1 of 6 Honda Dirt Bikes

+ \$1,000 Voucher for your local motorbike accessory shop to buy safety gear!

Simply buy hardware from the list of promotional products to automatically be entered into the draw. See overleaf for details.

Promotional period is from 1<sup>st</sup> July - 30<sup>th</sup> September 2019  
Winners will be contacted on 14<sup>th</sup> October 2019

ALLEGION™ 



Call 1300 ALSPEC (1300 257 732)  
alspec.com.au

**alspec**  
ALUMINIUM SYSTEMS  
SPECIALISTS



# L995 23mm Backset Kits

Every 10 items purchased = 1 entry into the draw.

## 316 Stainless Steel

- 1309753 LEGGE 995-V31KIT SINGLE CYL KD EGRESS 23mm B/SET SSS
- 1309754 LEGGE 995-C21KIT CYL & TURN KD LOCKING 23mm B/SET SSS
- 1309756 LEGGE 995-C27KIT DOUBLE CYL KD LOCKING 23mm B/SET SSS

## Matt Black

- 1309763 LEGGE 995-V31KIT SINGLE CYL KD EGRESS 23mm B/SET PC
- 1309764 LEGGE 995-C21KIT CYL & TURN KD LOCKING 23mm B/SET PC
- 1309765 LEGGE 995-C27KIT DOUBLE CYL KD LOCKING 23mm B/SET PC

## Available finish:

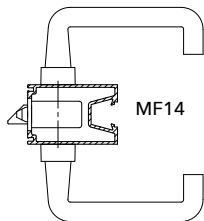
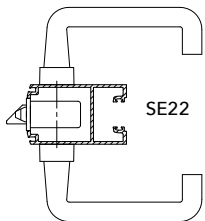
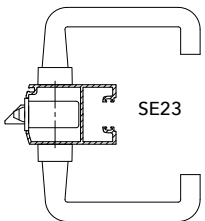


316 Stainless Steel



Matt Black

Recommended for Swan Evo SE23, SE22 and Hawkesbury MF14



### Single Cylinder Kit



### Cylinder and Turn Kit



### Double Cylinder Kit





# L995 30mm Backset Kits

Every 10 items purchased = 1 entry into the draw.

## 316 Stainless Steel

- 1309758 LEGGE 995-V31KIT SINGLE CYL KD EGRESS 30mm B/SET SSS
- 1309759 LEGGE 995-C21KIT CYL & TURN KD LOCKING 30mm B/SET SSS
- 1309761 LEGGE 995-C27KIT DOUBLE CYL KD LOCKING 30mm B/SET SSS

## Matt Black

- 1309766 LEGGE 995-V31KIT SINGLE CYL KD EGRESS 30mm B/SET PC
- 1309768 LEGGE 995-C21KIT CYL & TURN KD LOCKING 30mm B/SET PC
- 1309769 LEGGE 995-C27KIT DOUBLE CYL KD LOCKING 30mm B/SET PC

### Available finish:

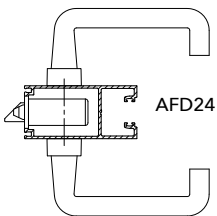


316 Stainless Steel



Matt Black

Recommended for Carinya and Airflow AFD24



Single Cylinder Kit



Cylinder and Turn Kit



Double Cylinder Kit





# L990 60mm Backset Kits

Every 10 items purchased = 1 entry into the draw.

## 316 Stainless Steel

1309770 LEGGE 990-V21KIT CYL & TURN KD EGRESS 60mm B/SET SSS

1309771 LEGGE 990-V31KIT SINGLE CYL KD EGRESS 60mm B/SET SSS

1309772 LEGGE 990-C27KIT DOUBLE CYL KD LOCKING 60mm B/SET SSS

## Matt Black

1309773 LEGGE 990-V21KIT CYL & TURN KD EGRESS 60mm B/SET MATT BLACK

1309774 LEGGE 990-V31KIT SINGLE CYL KD EGRESS 60mm B/SET MATT BLACK

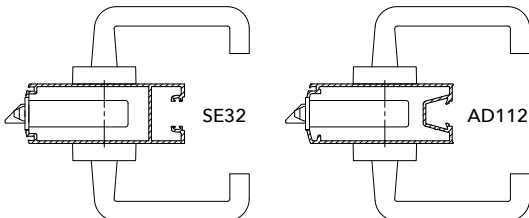
1309775 LEGGE 990-C27KIT DOUBLE CYL KD LOCKING 60mm B/SET MATT BLACK

## Available finish:

316 Stainless Steel

Matt Black

Recommended for Swan Evo SE32 and Swan AD112



### Single Cylinder Kit



### Cylinder and Turn Kit



### Double Cylinder Kit



All kits include lock tabs for mounting into aluminium sections.



# 950/951 Series Deadlocks

Every 10 items purchased = 1 entry into the draw.

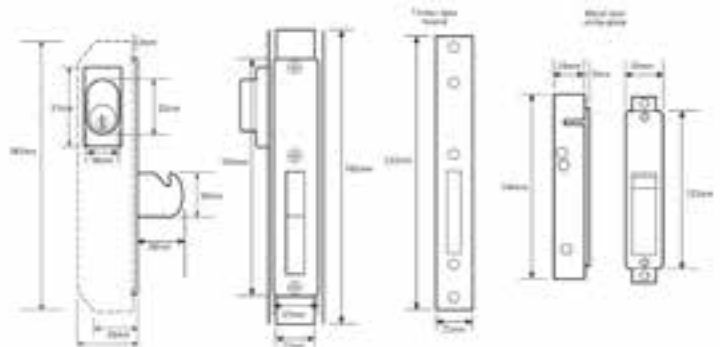
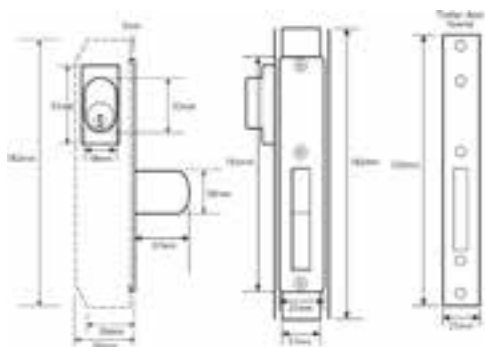


## Schlage 950 Series

- 1309780 SCHLAGE 950L-1 SINGLE CYLINDER WITH TURN INCLUDED
- 1309781 SCHLAGE 950L-3 DOUBLE CYLINDERS INCLUDED
- 1309782 SCHLAGE 950L-5 SINGLE CYLINDER WITHOUT TURN

## Schlage 951 Series

- 1309790 SCHLAGE 951-1 SINGLE CYLINDER WITH TURN INCLUDED
- 1309791 SCHLAGE 951-3 DOUBLE CYLINDERS INCLUDED
- 1309792 SCHLAGE 951-5 SINGLE CYLINDER WITHOUT TURN



## Schlage 950/951 Series Escape Lever

- 1309783 SCHLAGE 950 AND 951 ESCAPE LEVER



# 316 Stainless Steel Entrance Handles



Every 10 items purchased = 1 entry into the draw.



## Silvi

- 1379538 SILVI ROUND OFFSET B/B PULL HDL 332 x 32mm S316-8-332-SSS
- 1379539 SILVI ROUND OFFSET B/B PULL HDL 482 x 32mm S316-8-482-SSS
- 1379540 SILVI ROUND OFFSET B/B PULL HDL 632 x 32mm S316-8-632-SSS
- 1379541 SILVI ROUND OFFSET B/B PULL HDL 832 x 32mm S316-8-832-SSS
- 1379537 SILVI ROUND OFFSET B/B PULL HDL 1032 x 32mm S316-8-1032-SS

## Terento

- 1379522 TRENTO SQUARE B/B PULL HDL 620 x 20mm S316-4-620-SSS
- 1379523 TRENTO SQUARE B/B PULL HDL 820 x 20mm S316-4-820-SSS
- 1379521 TRENTO SQUARE B/B PULL HDL 1020 x 20mm S316-4-1020-SSS

## Turin

- 1379519 TURIN SQUARE B/B PULL HDL 600 x 25mm S316-3-600-SSS
- 1379520 TURIN SQUARE B/B PULL HDL 800 x 25mm S316-3-800-SSS

## Verona

- 1379525 VERONA ROUND OFFSET B/B PULL HDL 530 x 32mm S316-5-530-SSS
- 1379526 VERONA ROUND OFFSET B/B PULL HDL 680 x 32mm S316-5-680-SSS
- 1379527 VERONA ROUND OFFSET B/B PULL HDL 880 x 32mm S316-5-880-SSS
- 1379524 VERONA ROUND OFFSET B/B PULL HDL 1080 x 32mm S316-5-1080-SS



Terento

**316 Marine Grade  
Stainless Steel**



# 316 Stainless Steel Entrance Handles

Every 10 items purchased = 1 entry into the draw.



## Andor

- 1379510 ANDOR SQUARE OFFSET B/B PULL HDL 325 x 25mm S316-1-325-SSS
- 1379511 ANDOR SQUARE OFFSET B/B PULL HDL 425 x 25mm S316-1-425-SSS
- 1379512 ANDOR SQUARE OFFSET B/B PULL HDL 625 x 25mm S316-1-625-SSS
- 1379513 ANDOR SQUARE OFFSET B/B PULL HDL 825 x 25mm S316-1-825-SSS

## Capri

- 1379528 CAPRI ROUND B/B PULL HDL 332 x 32mm S316-6-332-SSS
- 1379529 CAPRI ROUND B/B PULL HDL 482 x 32mm S316-6-482-SSS
- 1379530 CAPRI ROUND B/B PULL HDL 632 x 32mm S316-6-632-SSS
- 1379531 CAPRI ROUND B/B PULL HDL 832 x 32mm S316-6-832-SSS

## Corfu

- 1379534 CORFU ROUND B/B PULL HDL 450 x 32mm S316-7-450-SSS
- 1379535 CORFU ROUND B/B PULL HDL 600 x 32mm S316-7-600-SSS
- 1379536 CORFU ROUND B/B PULL HDL 800 x 32mm S316-7-800-SSS
- 1379532 CORFU ROUND B/B PULL HDL 1000 x 32mm S316-7-1000-SSS
- 1379533 CORFU ROUND B/B PULL HDL 1200 x 32mm S316-7-1200-SSS

## Dego

- 1379515 DEGO SQUARE B/B PULL HDL 325 x 25mm S316-2-325-SSS
- 1379516 DEGO SQUARE B/B PULL HDL 475 x 25mm S316-2-475-SSS
- 1379517 DEGO SQUARE B/B PULL HDL 625 x 25mm S316-2-625-SSS
- 1379518 DEGO SQUARE B/B PULL HDL 825 x 25mm S316-2-825-SSS
- 1379514 DEGO SQUARE B/B PULL HDL 1025 x 25mm S316-2-1025-SSS



Andor

**316 Marine Grade  
Stainless Steel**



## Matt Black Door Closers

Every 20 items purchased = 1 entry into the draw.



### Parallel Arm Door Closers

1356091 BRITON BNT-1120B-C-MB ADJ 2-4 BC PA DOOR CLOSER

1356092 BRITON BNT-1130B-C-MB ADJ 2-5 BC PA DOOR CLOSER



### Slide Arm Door Closers

1356093 BRITON BNT-1120B-T-C-MB ADJ 1-3 SLIDE ARM CLOSER

1356094 BRITON BNT-1130B-T-C-MB ADJ 1-4 SLIDE ARM CLOSER

### Features

- Non Handed
- Power Adjustable
- Adjustable Backcheck
- Slimline Unit
- Suitable for internal & external use





Every 20 items purchased = 1 entry into the draw.



## 288 Series Door Furniture

1304113 BRIO 288 LEVER HANDLE SET DOUBLE CYLINDER STAINLESS STEEL

1304114 BRIO 288 LEVER HANDLE SET DOUBLE CYLINDER BLACK

1304115 BRIO 288 LEVER HANDLE SET DOUBLE CYLINDER SATIN CHROME



## Lockable 2.5m kits

1304112 BRIO 286 DUAL POINT LOCKING BLACK HANDLE  
2.5m RODS SS TIP

1304108 BRIO 286 DUAL POINT LOCKING SATIN CHROME HANDLE  
2.5m RODS SS TIP

1304100 BRIO 286 DUAL POINT LOCKING STAINLESS STEEL HANDLE  
2.5m RODS SS TIP



## 288M Series Door Furniture

1304119 BRIO 288 MAGNETIC LEVER HANDLE SET DOUBLE CYLINDER SN

1304118 BRIO 288 MAGNETIC LEVER HANDLE SET DOUBLE CYLINDER BLACK



## 828 Door Holder

1304120 BRIO 828SN MAGNETIC DOOR HOLDER SN

1304121 BRIO 828PBK MAGNETIC DOOR HOLDER BLACK

## Non Lockable 2.5m kits

1304106 BRIO 286 DUAL POINT NON LOCKING BLACK HANDLE  
2.5m RODS SS TIP

1304110 BRIO 286 DUAL POINT NON LOCKING SATIN CHROME  
HANDLE 2.5m RODS SS TIP

1304102 BRIO 286 DUAL POINT NON LOCKING STAINLESS STEEL  
HANDLE 2.5m RODS SS TIP

## Lockable 3.5m kits

1304116 BRIO 286 DUAL POINT LOCK BLACK HANDLE  
3.5m RODS SS TIP

1304109 BRIO 286 DUAL POINT LOCK SATIN CHROME HANDLE  
3.5m RODS SS TIP

1304101 BRIO 286 DUAL POINT LOCK STAINLESS STEEL HANDLE  
3.5m RODS SS TIP

## Non Lockable 3.5m kits

1304107 BRIO 286 DUAL POINT NON LOCKING BLACK HANDLE  
3.5m RODS SS TIP

1304111 BRIO 286 DUAL POINT NON LOCKING SATIN CHROME  
HANDLE 3.5m RODS SS TIP

1304103 BRIO 286 DUAL POINT NON LOCKING STAINLESS STEEL  
HANDLE 3.5m RODS SS TIP

Every 20 items purchased = 1 entry into the draw.



### Schlage 2 Point Locks

1304730 SCHLAGE 2PT LOCK 30mm BACKSET WITH STRIKE 2802/3



### Schlage 4 Point Locks

1304731 SCHLAGE 4PT LOCK 30mm BACKSET WITH STRIKE 2804/3  
 1304732 SCHLAGE 4PT RODS 3.5m D TIP 2800-30D



### Alspec 62mm Cylinders

- 1360181 FIXED CAM 62mm EURO PROFILE CYLINDER A01
- 1360182 FIXED CAM 62mm EURO PROFILE CYLINDER A02
- 1360183 FIXED CAM 62mm EURO PROFILE CYLINDER A03
- 1360184 FIXED CAM 62mm EURO PROFILE CYLINDER A04
- 1360185 FIXED CAM 62mm EURO PROFILE CYLINDER A05
- 1360186 FIXED CAM 62mm EURO PROFILE CYLINDER A06
- 1361187 FIXED CAM 62mm EURO PROFILE CYLINDER A07
- 1360188 FIXED CAM 62mm EURO PROFILE CYLINDER A08
- 1360189 FIXED CAM 62mm EURO PROFILE CYLINDER A09
- 1360180 FIXED CAM 62mm EURO PROFILE CYLINDER A10



### Alspec 68mm Cylinders

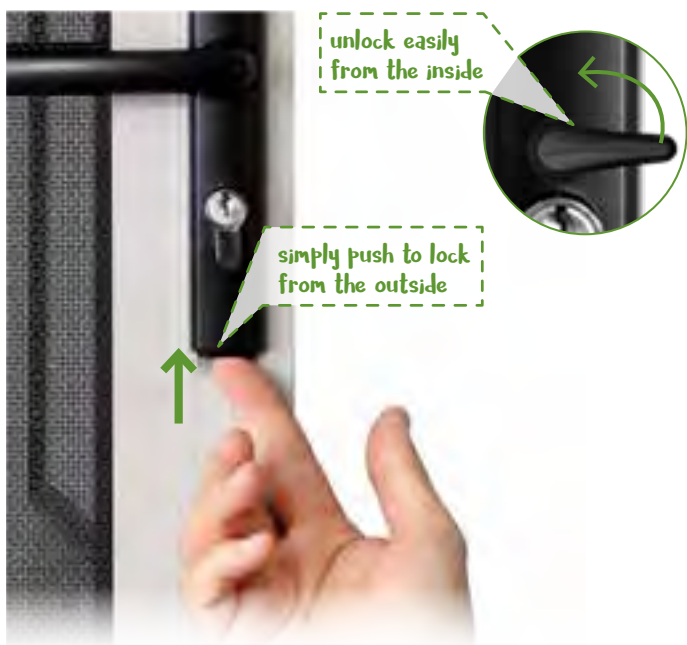
- 1360171 FIXED CAM 68mm EURO PROFILE CYLINDER A01
- 1360172 FIXED CAM 68mm EURO PROFILE CYLINDER A02
- 1360173 FIXED CAM 68mm EURO PROFILE CYLINDER A03
- 1360174 FIXED CAM 68mm EURO PROFILE CYLINDER A04
- 1360175 FIXED CAM 68mm EURO PROFILE CYLINDER A05
- 1360176 FIXED CAM 68mm EURO PROFILE CYLINDER A06
- 1360177 FIXED CAM 68mm EURO PROFILE CYLINDER A07
- 1360178 FIXED CAM 68mm EURO PROFILE CYLINDER A08
- 1360179 FIXED CAM 68mm EURO PROFILE CYLINDER A09
- 1360170 FIXED CAM 68mm EURO PROFILE CYLINDER A10

# Elegance Push 2 Go

Every 30 items purchased = 1 entry into the draw.

- 1308101 ELEGANCE PUSH2GO HINGED SEC DOOR LOCK BLACK
- 1308104 ELEGANCE PUSH2GO HINGED SEC DOOR LOCK WHITE
- 1308105 ELEGANCE PUSH2GO HINGED SEC DOOR LOCK PRIMROSE
- 1308106 ELEGANCE PUSH2GO HINGED SEC DOOR LOCK PAPERBARK
- 1308108 ELEGANCE PUSH2GO HINGED SEC DOOR LOCK WOODLAND GREY
- 1308107 ELEGANCE PUSH2GO HINGED SEC DOOR LOCK MONUMENT
- 1308109 ELEGANCE PUSH2GO HINGED SEC DOOR LOCK WHITE BIRCH
- 1308120 ELEGANCE PUSH2GO HINGED SEC DOOR LOCK APO GREY
- 1308123 ELEGANCE PUSH2GO HINGED SEC DOOR LOCK SILVER
- 1308113 ELEGANCE PUSH2GO HINGED SEC DOOR LOCK SURFMIST

## ELEGANCE PUSH 2Go



### Available Colours

- |                  |                       |              |
|------------------|-----------------------|--------------|
| Black            | Brown                 | Silver       |
| White            | Claret                | Stone Beige  |
| Primrose         | Deep Ocean            | Surfmist     |
| Paperbark        | Doeskin               | Ultra Silver |
| Woodland Grey    | Dune                  | Wilderness   |
| Monument         | Hawthorne Green       | Gold Spangle |
| White Birch      | Jasper                | Magnolia     |
| Anotec Dark Grey | Pottery               | Notredame    |
| APO Grey         | Precious Bronze Pearl |              |

**Colour Disclaimer**  
Colour representations in this brochure are for illustrative purposes only.



# Austral Security Pin Cylinders

Every 30 items purchased = 1 entry into the draw.

## Austral Elegance & SD7 Pin Cylinders

1308775	AUSTRAL CYL 2 x 5 PIN PROFILE CYL AAC4 KEY 801 / A01
1308776	AUSTRAL CYL 2 x 5 PIN PROFILE CYL AAC4 KEY 802 / A02
1308777	AUSTRAL CYL 2 x 5 PIN PROFILE CYL AAC4 KEY 803 / A03
1308778	AUSTRAL CYL 2 x 5 PIN PROFILE CYL AAC4 KEY 804 / A04
1308779	AUSTRAL CYL 2 x 5 PIN PROFILE CYL AAC4 KEY 805 / A05
1308780	AUSTRAL CYL 2 x 5 PIN PROFILE CYL AAC4 KEY 806 / A06
1308781	AUSTRAL CYL 2 x 5 PIN PROFILE CYL AAC4 KEY 807 / A07
1308783	AUSTRAL CYL 2 x 5 PIN PROFILE CYL AAC4 KEY 808 / A08
1308786	AUSTRAL CYL 2 x 5 PIN PROFILE CYL AAC4 KEY 809 / A09
1308787	AUSTRAL CYL 2 x 5 PIN PROFILE CYL AAC4 KEY 810 / A10



## Austral Ultimate Pin Cylinders

1308741	AUSTRAL CYL 2 x 5 PIN PROFILE CYL AA8C4 KEY 801 / A01
1308742	AUSTRAL CYL 2 x 5 PIN PROFILE CYL AA8C4 KEY 802 / A02
1308743	AUSTRAL CYL 2 x 5 PIN PROFILE CYL AA8C4 KEY 803 / A03
1308744	AUSTRAL CYL 2 x 5 PIN PROFILE CYL AA8C4 KEY 804 / A04
1308745	AUSTRAL CYL 2 x 5 PIN PROFILE CYL AA8C4 KEY 805 / A05
1308746	AUSTRAL CYL 2 x 5 PIN PROFILE CYL AA8C4 KEY 806 / A06
1308747	AUSTRAL CYL 2 x 5 PIN PROFILE CYL AA8C4 KEY 807 / A07
1308748	AUSTRAL CYL 2 x 5 PIN PROFILE CYL AA8C4 KEY 808 / A08
1308749	AUSTRAL CYL 2 x 5 PIN PROFILE CYL AA8C4 KEY 809 / A09
1308740	AUSTRAL CYL 2 x 5 PIN PROFILE CYL AA8C4 KEY 810 / A10



NSW Permit No. LTPS/19/35304

Rules/Terms and Conditions is available from [alspec.com.au/promo/tnc.pdf](https://alspec.com.au/promo/tnc.pdf)

## Honda Dirt Bikes Promo

### Terms & Conditions

NSW Permit No. LTPS/19/35304

#### Start and End Dates

1<sup>st</sup> July 2019 – 30<sup>th</sup> October 2019

#### How to Enter

This competition is restricted to Alspec account customers only. If during the promotion period, your account purchases a qualifying amount of any of the promotional items, you will automatically have one ticket entered into the draw.

Additional tickets will automatically be entered for every time you purchase a qualifying amount of promotional items.

Details for how many of each item purchased = 1 ticket into the draw, are listed at the top of each page in the competition brochure.

Alspec & Allegion staff, and or anyone related to Alspec or Allegion staff, cannot enter this competition.

#### Draw date, time and location

All prizes will be drawn at Alspec Head Office, 3 Alspec Place, Eastern Creek, NSW. At 11am on October 11th 2019.

#### Prize Value

Total Prize Value is \$33,411

Honda CRF50FK with training wheels fitted  
\$2,439 each x3

Honda CRF250LAH (Unregistered) \$6,698 each x3  
Each motorbike comes with a \$1,000 Voucher for the customers local motorbike safety store.

#### Notifications

Winners will be contacted by phone on the 14<sup>th</sup> October, with a confirmation email to follow the phone call.

If a prize winner does not want the prize, there will be a redraw on the 15<sup>th</sup> October 2019 at 11am from the remaining tickets in the draw.

