

ALSPEC ALH130

HEAVY DUTY ALUMINIUM FAST FIX HINGE

The Alspec ALH130 is a heavy duty fast fix hinge with face fix flanges to suit aluminium commercial door applications. The heavy duty, bi-directional face fix locator flange allows for fast and secure installation.

Key Features

- Cycled tested up to 75,000 cycles @ 100kg
- Minimum door thickness 40mm
- Up to 2100 high x 900 x 100kg– 3 hinges
- Up to 3000 high x 900 x 100kg– 4 hinges
- Heavy duty bi-directional fixing
- Face fix locator flange allows for faster installation
- Supplied with 11 of 10G x 12mm, 304SS undercut countersunk self-tapping (AB) Phillip drive screw

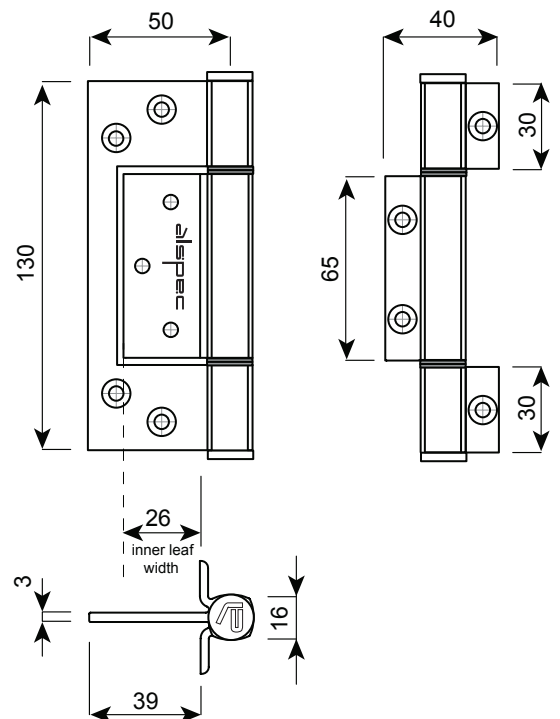
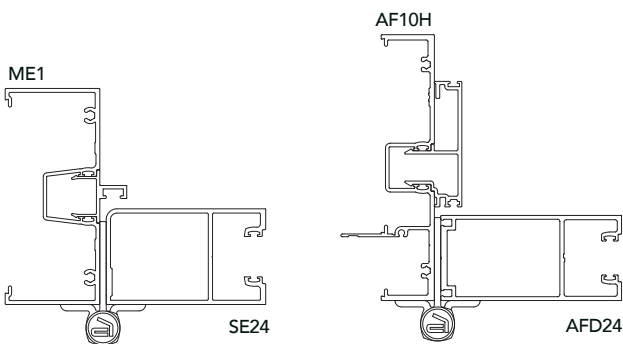
Available Colours



Order Numbers

- 1308347 ALSPEC ALH130 HEAVY DUTY ALUM FAST FIX HINGE CLEAR ANODISED
- 1308348 ALSPEC ALH130 HEAVY DUTY ALUM FAST FIX HINGE BLACK
- 1308349 ALSPEC ALH130 HEAVY DUTY ALUM FAST FIX HINGE WHITE

Recommended for Swan Evo, Gas Strut, AirFlo & Carinya



Colour Disclaimer: Colour representations in this brochure are for illustrative purposes only.