



QUATTRO® SLIDING SECURITY SCREEN DOOR LOCK

Distributed by
alspec
ALUMINIUM SYSTEMS
SPECIALISTS

1300 ALSOEC (257732)
alspec.com.au

Quattro® Sliding Security Screen Door Lock

The new Quattro Sliding Security Door Lock shares similar design cues with that of its hinged counterpart, to compliment the total Yale offer.

Features & Specifications

- Concealed fixing screws from the outside of the door for a cleaner appearance and increased security
- Compatible with industry standard door preparations and will use the same cutout as its hinged counterpart in 3 point configuration
- 3 Point Locking Kit operation is driven by the inside snib for increased security when "day latched".
- DualSelect 2 stage key locking, offers safety and security for all occupants by giving a choice of selecting privacy lock or deadlock when exiting the home.



Security

Conforms with level S7 (Physical Security) Australian Lock Standard - AS4145.2-2008. Successfully tested on security screen doors in accordance with Australian Standard AS 5039-2008: Security Screen Doors and Security Window Grilles and AS 5041-2003: Methods of test.

Durability

Conforms with level D8 (Durability) Australian Lock Standard - AS4145.2-2008.

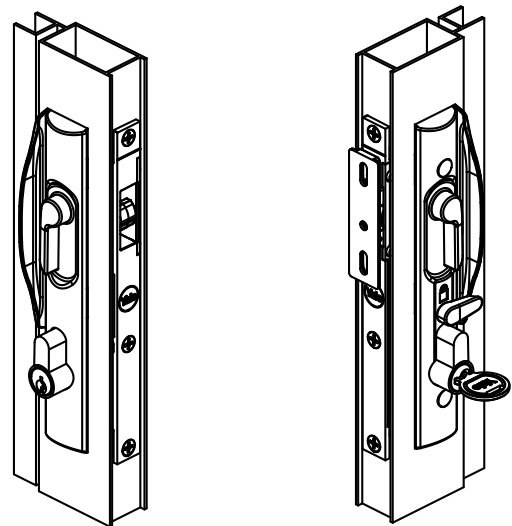
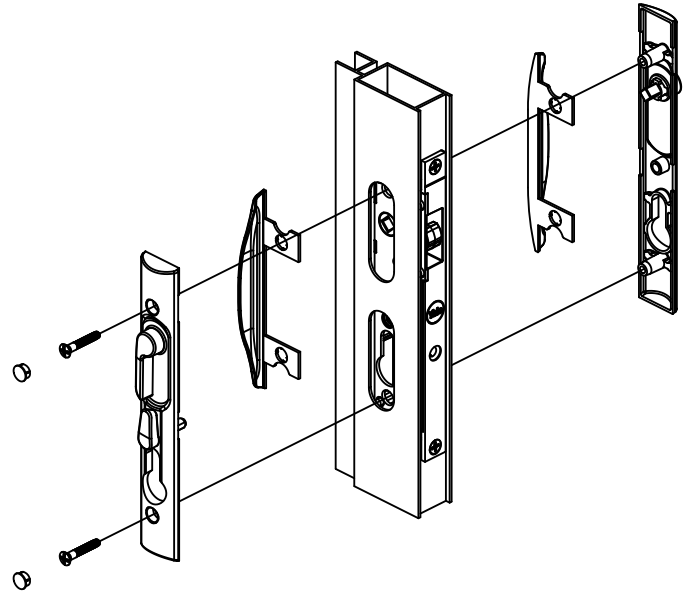
Finishes

Black (BLK), White (WH), Primrose (PRM) and Silver (SIL) powder coat finishes.

Ordering Procedure - Trade Pack

Description	ASSA ABLOY Code	Alspec Code
Quattro Sliding Security Door Lock No Cylinder - Black	Y8103BLK	1304580
Quattro Sliding Security Door Lock No Cylinder - White	Y8103WH	1304581
Quattro Sliding Security Door Lock No Cylinder - Primrose	Y8103PRM	1304582
Quattro Sliding Security Door Lock No Cylinder - Silver	Y8103SIL	1304583
Quattro 3 Point Lock Accessory Kit	Y8100/S3PT	1304589

Trade pack includes Lock Body, Furniture, Striker & Fixing Screws. Cylinder to be ordered separately.



Call 1300 LOCK UP (1300 562 587)
or visit yalelock.com.au

Distributed by
alspec
ALUMINIUM SYSTEMS
SPECIALISTS