

HIGH QUALITY ARCHITECTURAL DOOR FURNITURE

proudly
partnered
with

**halliday
baillie**

Halliday + Baillie's design encompasses quality, flair, functionality, and longevity. Products are proudly produced in New Zealand where lower volumes enable careful monitoring with a correspondingly high production quality. Handles may be turned a thousand times a day, so materials and finish are amongst the highest priorities. Longevity has become the undisputed hallmark of their success.

HB 640 Series Keyed Locks Narrow 33mm Backset

Specification

- Minimum door thickness 38mm
- Sliding door sets comes with strike plate, dust box and fixings
- For double glazed doors, or doors over 45mm, a 5 pin Euro cylinder can be used

Features

- Diecast zinc with brass and 316 stainless steel
- Key and snib work independently
- Designed for use in aluminum or timber sliding doors with narrow stiles (min. 2")

Item Number Description

HB 640 KEY/SNIB BOTH SIDES

HB 642 KEY/SNIB INSIDE, BLANK OUTSIDE

HB 643 KEY/SNIB INSIDE, NO PULL OUTSIDE

HB CLF4021 3 PIN ½ EURO CYLINDER FOR 38mm DOOR

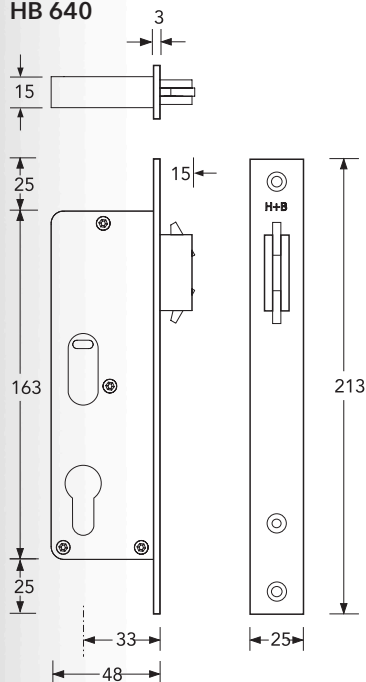
HB CLF 4020 3 PIN DBL EURO CYLINDER FOR 38mm door, keyed both sides

HB CLF 48 S 3 PIN ½ EURO CYLINDER FOR 45mm DOOR

HB CLF 48 D 3 PIN DBL EURO CYLINDER FOR 45mm door, keyed both sides

Available in EBA, EDB, EMB, PC, SC, WHT/Silver (split finish).

HB 640



HB 668

