

STAINLESS STEEL SECURITY DOOR HINGES

proudly partnered with



ASSA ABLOY

New 316 Marine Grade Stainless Steel security hinges are now available from Assa Abloy. These hinges are specifically designed for aluminium security and barrier doors.

There are 2 versions available, being standard and a safety prong version for additional security.

Key Features

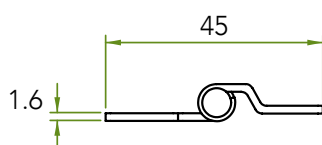
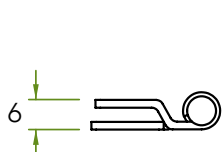
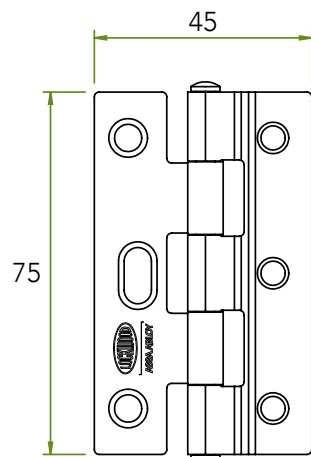
- 316 Marine Grade Stainless Steel construction
- Salt spray tested to in excess of 1000 hours
- Stainless Steel Electropolished finish
- Step over design suitable for most aluminium security doors
- Door leaf sits over lip on edge of door style for added security
- Safety prong version increases door security when door is closed making door captive if the hinge pin is forcibly removed



SECURITY SCREEN DOOR HINGE STAINLESS STEEL

LW545SS

1304180 SECURITY SCREEN DOOR HINGE SS x 1 LWSSH



SECURITY SCREEN DOOR HINGE WITH SAFETY PRONG STAINLESS STEEL

LW546SS

1304193 SECURITY SCREEN DOOR HINGE WITH SAFTY PRONG SS x 1 LWSSHP

