

CUSTOMER TECHNICAL MEMO # 100

Subject: Hunter Internal Glazed Transoms & Glazing Beads

Date: 3/6/09

From: Product Development

We have re-designed and cut a new range of internally glazed transoms and glazing beads for single and double glazed 100mm and 150mm Hunter Framing. The reasons for this being;

1. The single glazed transoms were not allowing sufficient glass coverage. They have now been designed to allow 8mm of glass coverage therefore complying with AS1288.
2. The bead snap in arrangement has been re-designed to ensure a more positive engagement for all the single and double internally glazed transoms and beads.

This applies to all Hunter Framing as noted below.

- AS340 100mm S/GL Int Glaze Transom replaces AS316 and AS324
- AS341 100mm S/GL Int Glazing Bead replaces AS317 and AS325
- AS410 100mm D/GL Int Glaze Transom replaces AS416
- AS411 100mm D/GL Int Glazing Bead replaces AS417
- AS394 150mm S/GL Int Glaze Transom replaces AS376
- AS395 150mm S/GL Int Glazing Bead replaces AS377
- AS470 150mm D/GL Int Glaze Transom replaces AS476
- AS471 150mm D/GL Int Glazing Bead replaces AS477

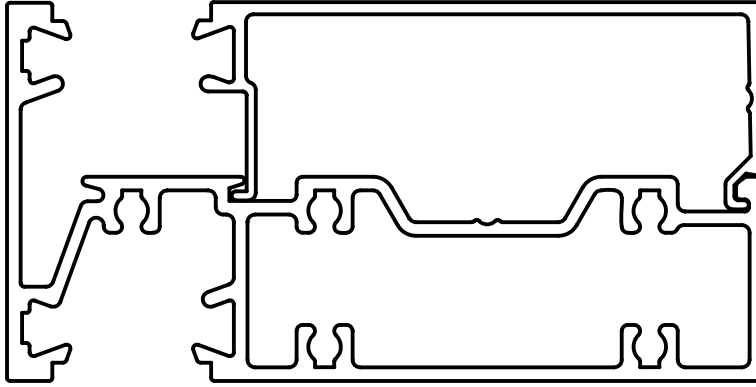
Easy reference drawings showing the above new and old sections in more detail have been included on pages 2 to 5 of this Customer Technical Memo.

Please note the new sections noted above and shown on the attached drawings are the current sections as shown on our wall charts, in the latest Tech Manuals that have been printed and updated on the ALSPEC website as well as in V6.

If you have any questions please do not hesitate to contact your local Area Manager or sales office.

AS341

S/GL INT GLAZING BEAD 100mm * 6.5M



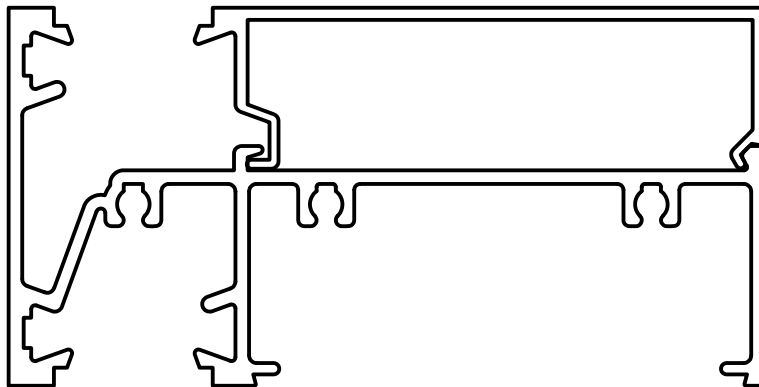
AS340

S/GL INT GLAZE TRANSOM 100mm * 6.5M

REPLACES

AS317

INTERNAL GLAZING BEAD * 6.5M

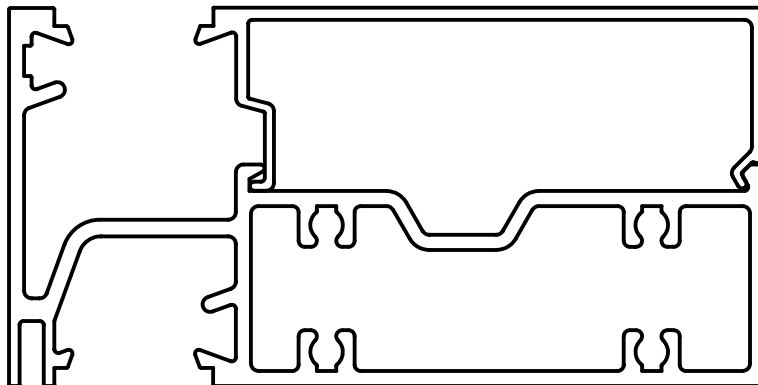


AS316

TRAN/SILL INTERN. GLAZ * 6.5M

AS325

GLAZING BEAD * 6.5M

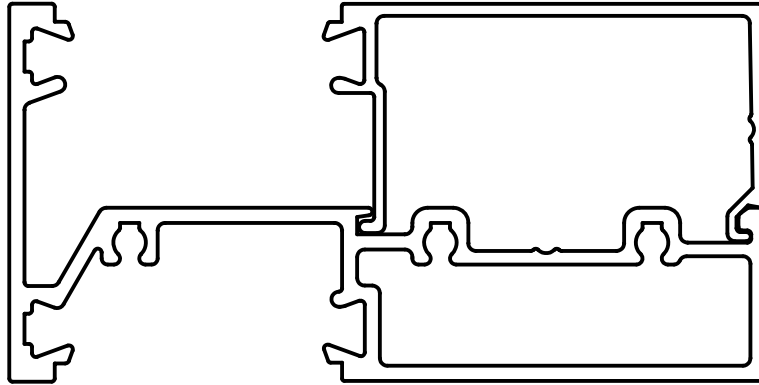


AS324

INT GLZ TRANSOM * 6.5M

AS411

D/GL INT GLAZE BEAD 100mm * 6.5M



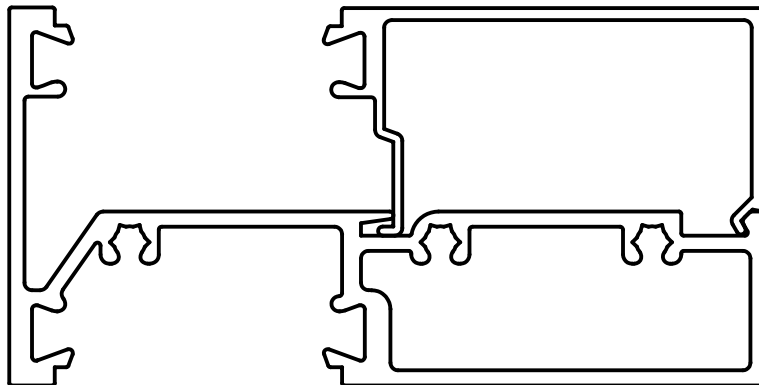
AS410

D/GL INT GLAZE TRANSOM 100mm * 6.5M

REPLACES

AS417

D/GLAZ INT GLAZ BEAD * 6.5M

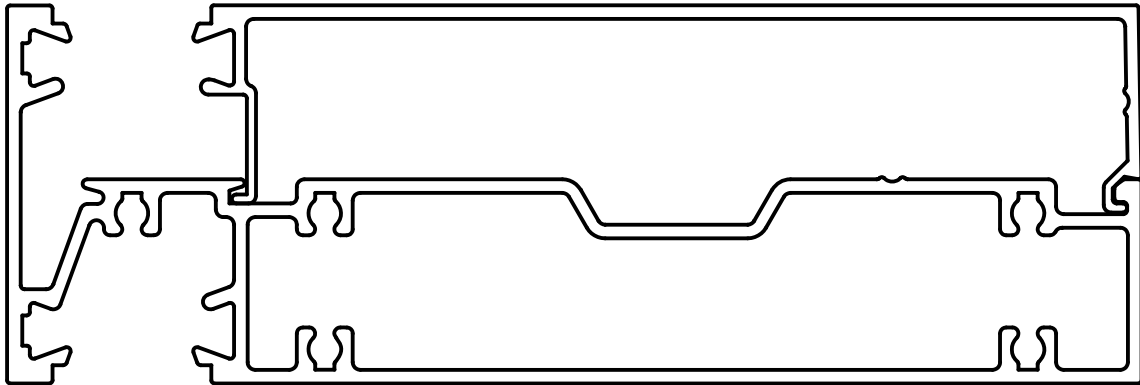


AS416

D/GLAZ TRAN/SILL INT * 6.5M

AS395

S/GL INT GLAZE BEAD 150mm * 6.5M



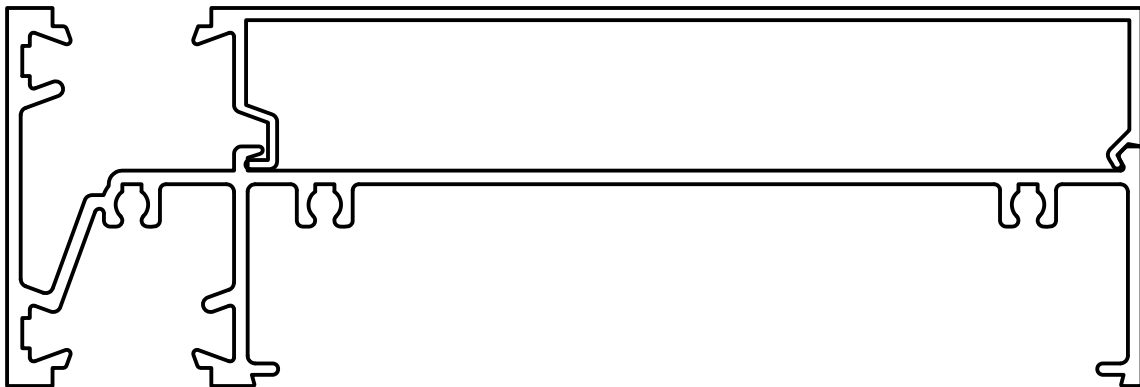
AS394

S/GL INT GLAZE TRANSOM 150mm * 6.5M

REPLACES

AS377

INTERNAL GLAZING BEAD * 6.5M

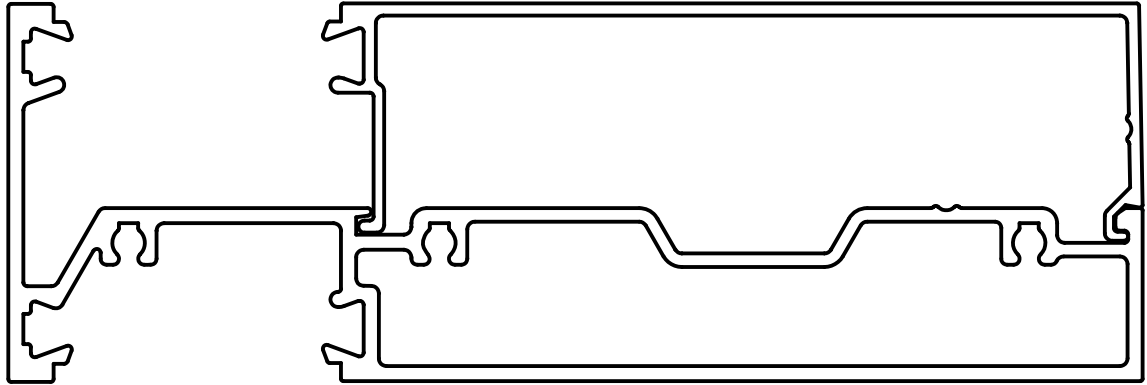


AS376

TRANSOM/SILL INT. GLAZ * 6.5M

AS471

D/GL INT GLAZE BEAD 150mm * 6.5M



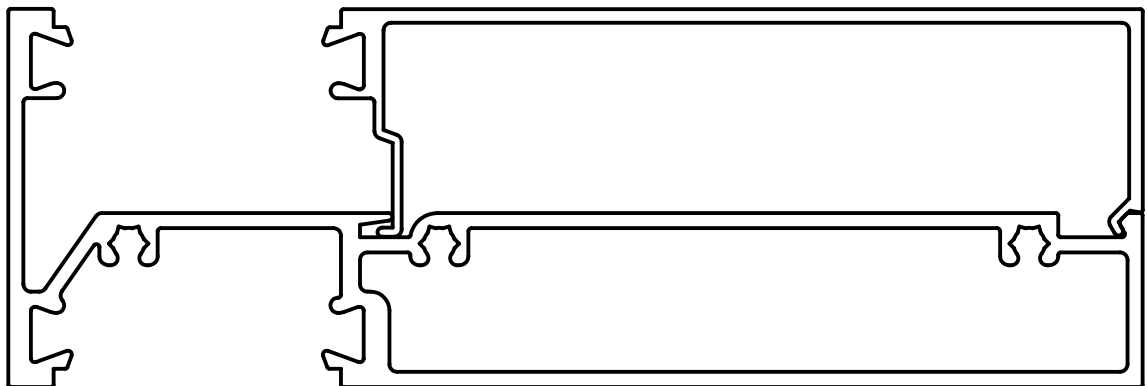
AS470

D/GL INT GLAZE TRANSOM 150mm * 6.5M

REPLACES

AS477

D/GLAZ INT GLAZING BEAD 6.5M



AS476

D/GLAZ TRAN/SILL INT GLAZ 6.5M