

CUSTOMER TECHNICAL MEMO # 175

Subject: **NEW DIES –**
70mm sub head + slab edge sub sill & slab edge sub head

Date: 20/6/13

From: Vince Ravese

Good Morning,

Please see the attached for new sections added to our sub head and sub sill range.

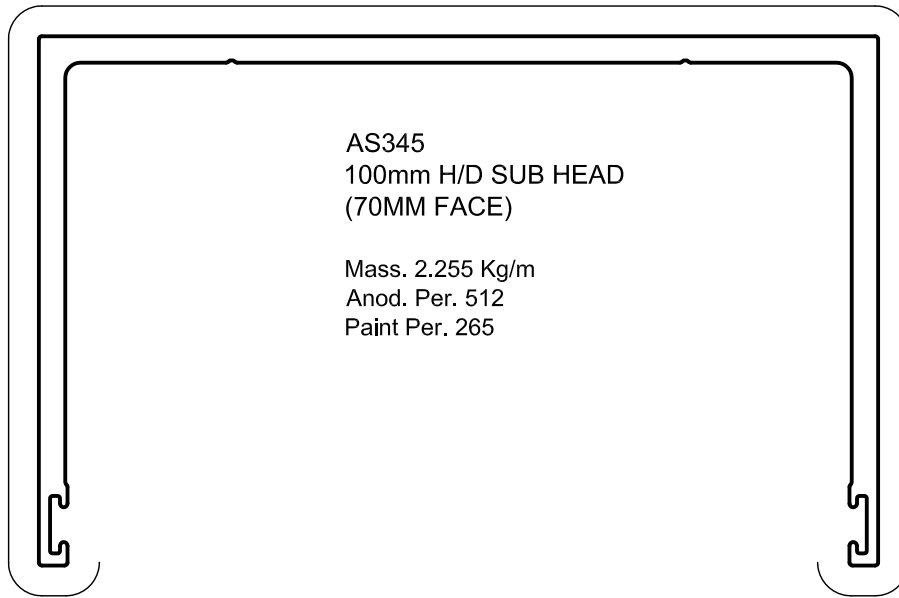
If you have any questions please do not hesitate to contact your local Area Manager or Sales Office.

Regards,

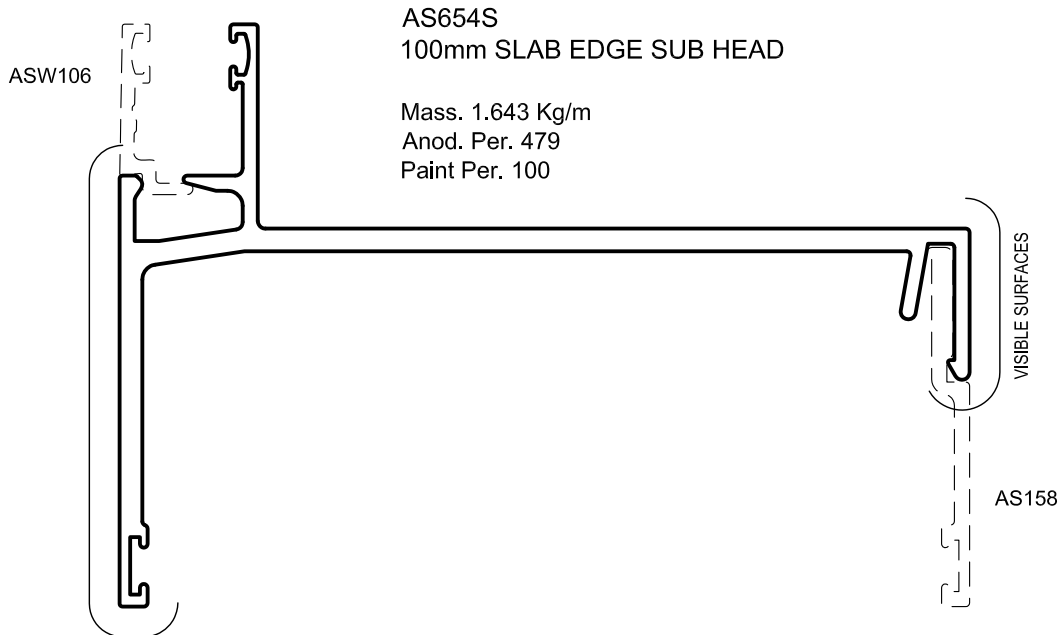
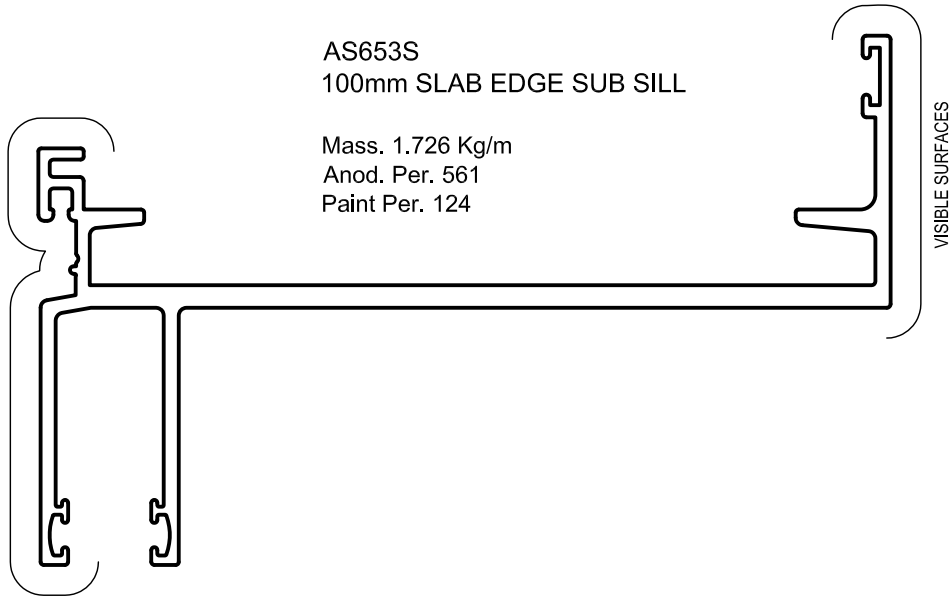
Vince Ravese
Product Development

Extrusions

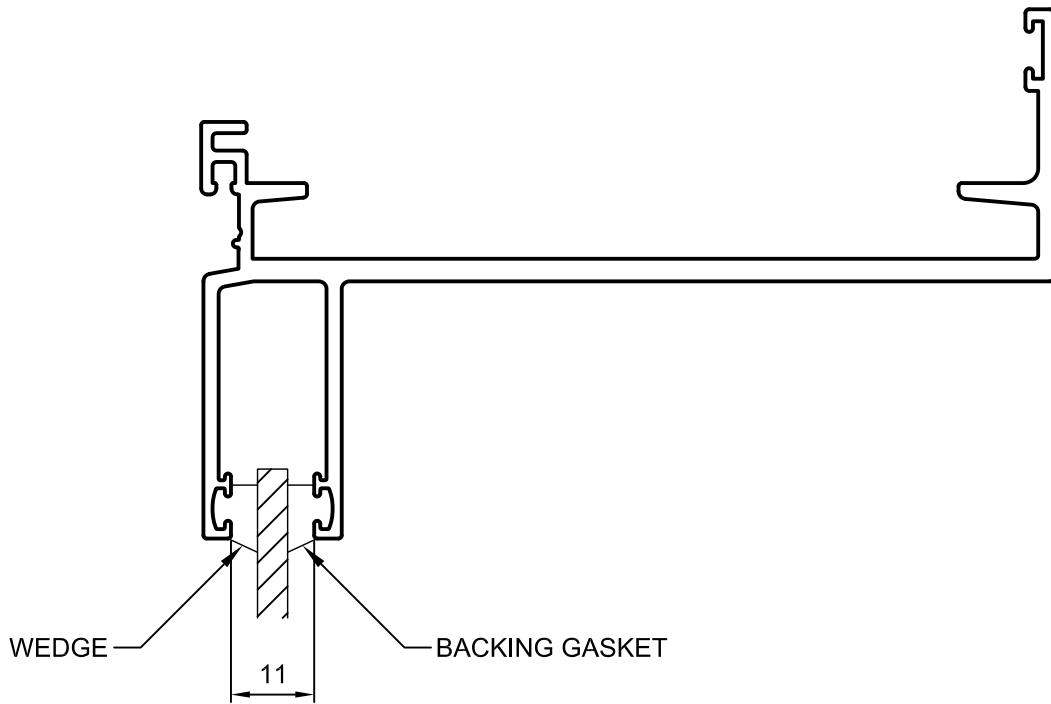
VISIBLE SURFACES



Extrusions



Glazing Details



GLASS / PANEL THICKNESS	BACKING GASKET		WEDGE	
	CAPTIVE CODE	NON CAPTIVE CODE	ID COLOUR	CODE
3mm THICK	CE36	GR36	YELLOW	GR46
4mm THICK	CE36	GR36	BLUE	GR45
6mm THICK	CE36	GR36	BROWN	GR43