

CUSTOMER TECHNICAL MEMO # 176

Subject: NEW DIES – FIXED LOUVRES

Date: 10/7/13

From: Vince Ravese

Good Morning,

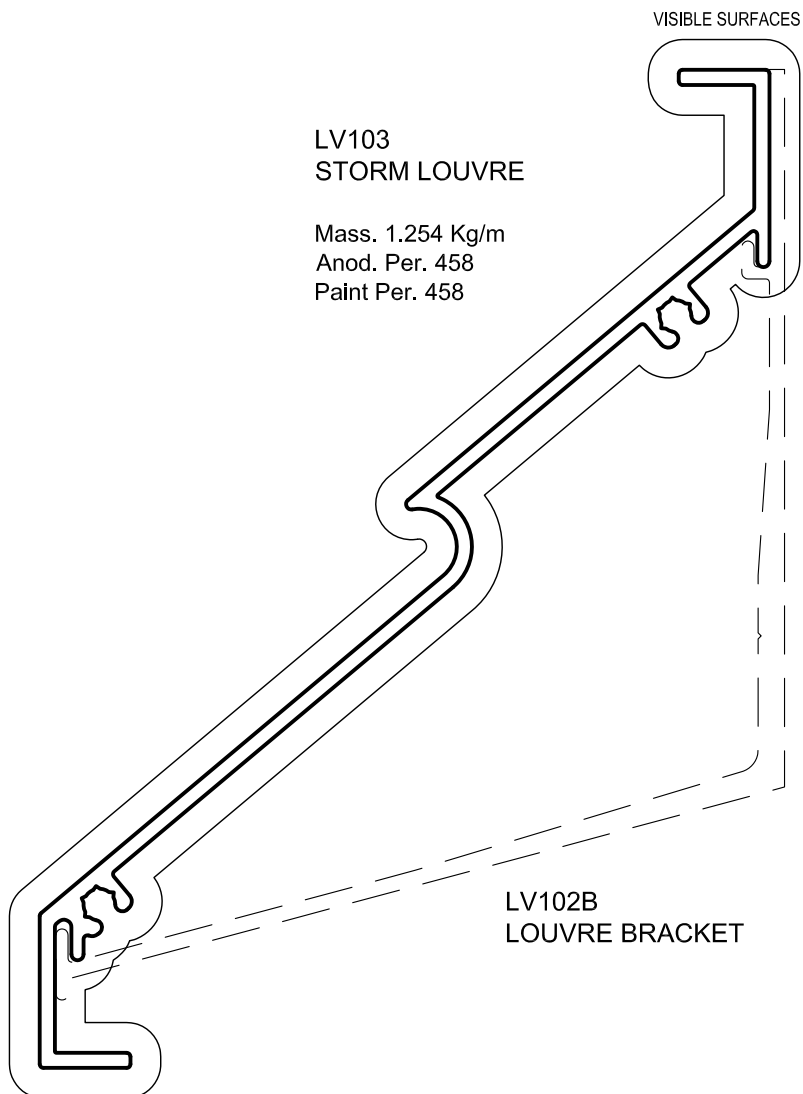
Please see the attached for new sections added to our fixed louvre range.

If you have any questions please do not hesitate to contact your local Area Manager or Sales Office.

Regards,

Vince Ravese
Product Development

Extrusions

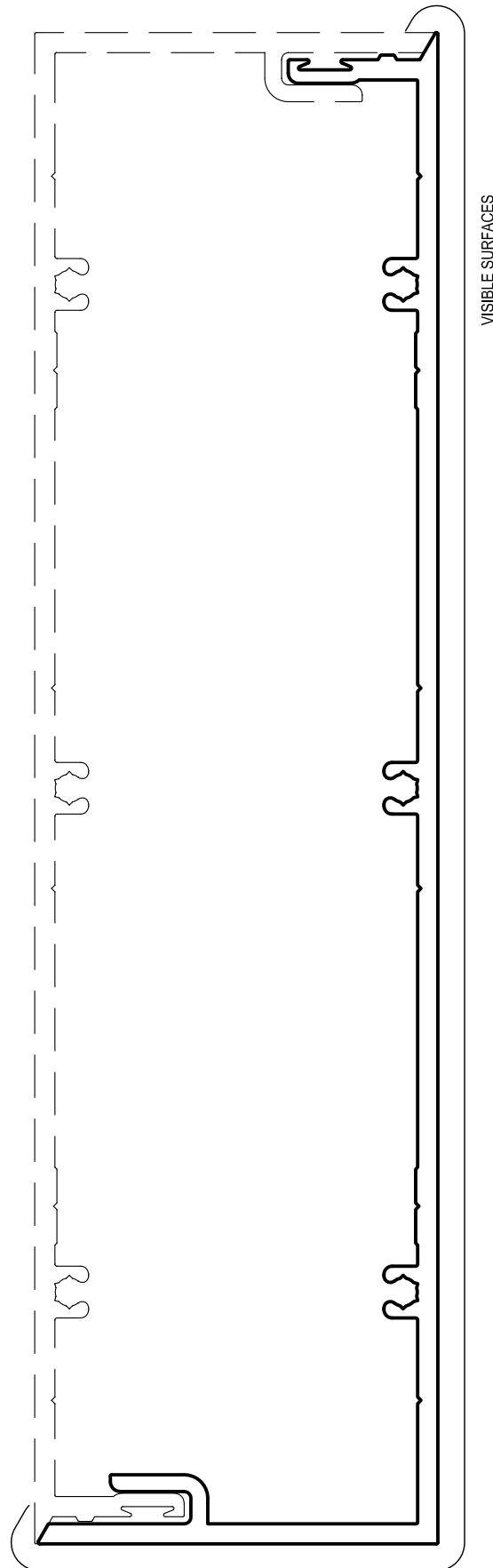


Extrusions

LV225
SELF MATING
225mm LOUVRE / MULLION

Mass. 2.717 Kg/m
Anod. Per. 708
Paint Per. 293

$I_{xx} = 5872.8 \times 10^3 \text{ mm}^4$
 $I_{yy} = 210.4 \times 10^3 \text{ mm}^4$

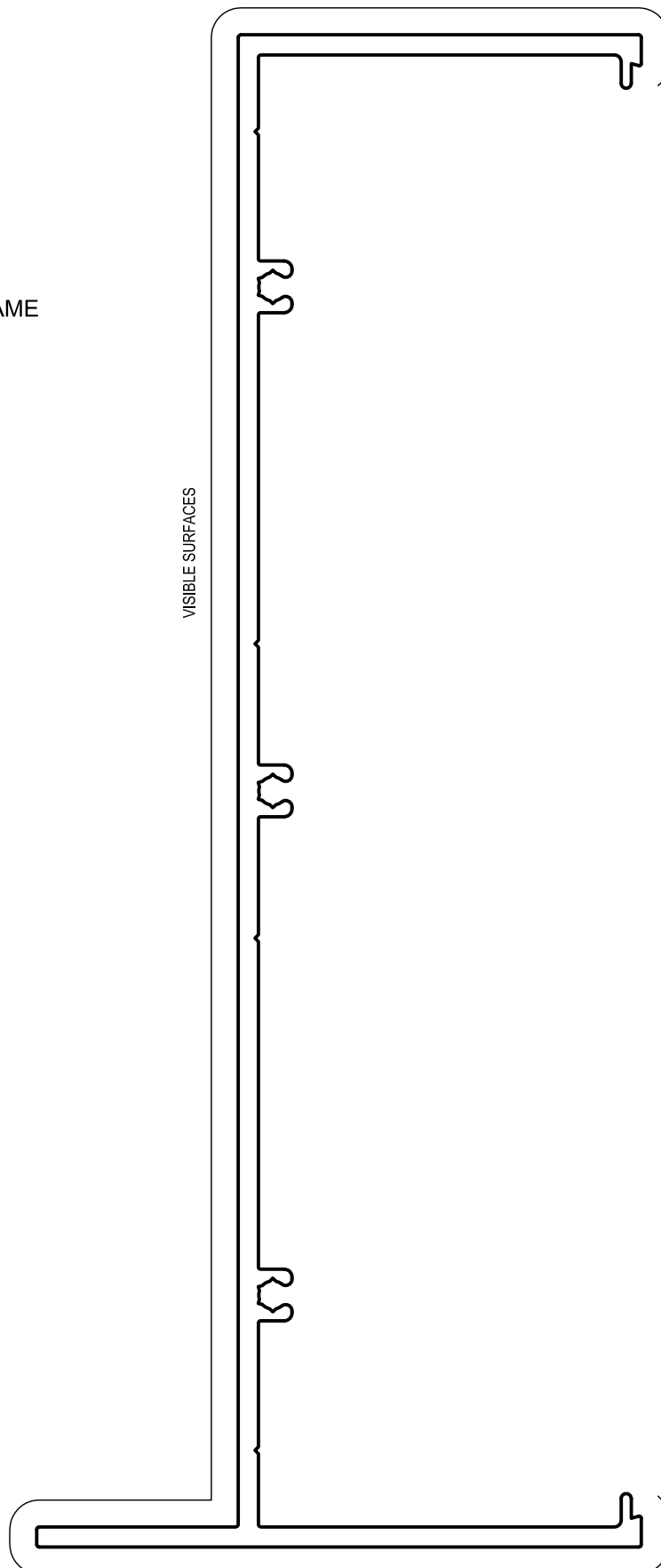


Extrusions

LV226
225mm LOUVRE FRAME

Mass. 3.215 Kg/m
Anod. Per. 820
Paint Per. 416

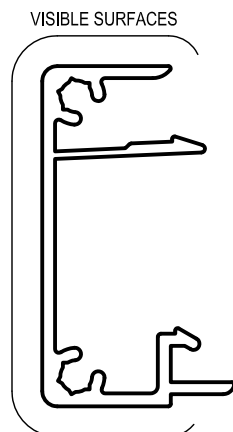
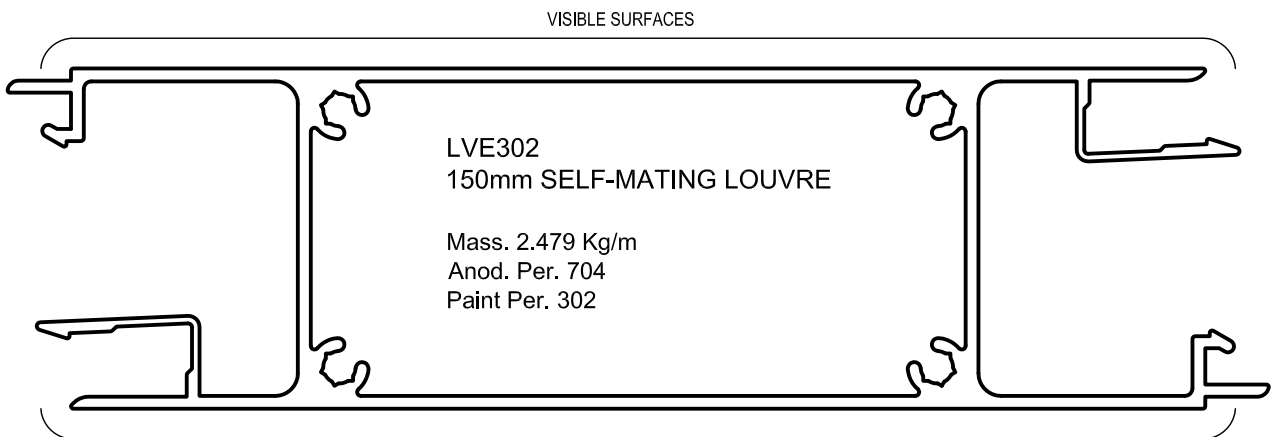
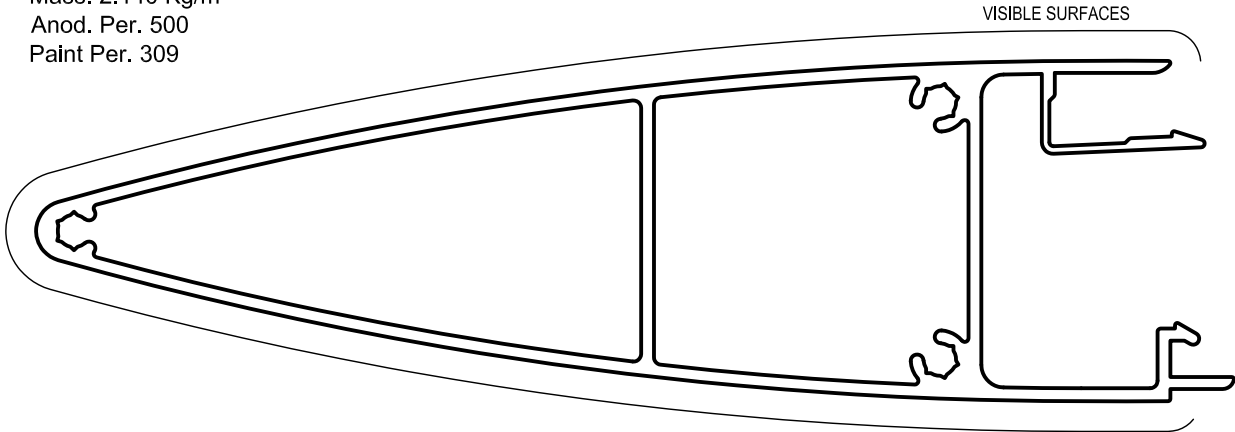
$I_{xx} = 8532.3 \times 10^3 \text{ mm}^4$
 $I_{yy} = 408.4 \times 10^3 \text{ mm}^4$



Extrusions

LVE301
150mm SELF-MATING ELLIPTICAL
LOUVRE

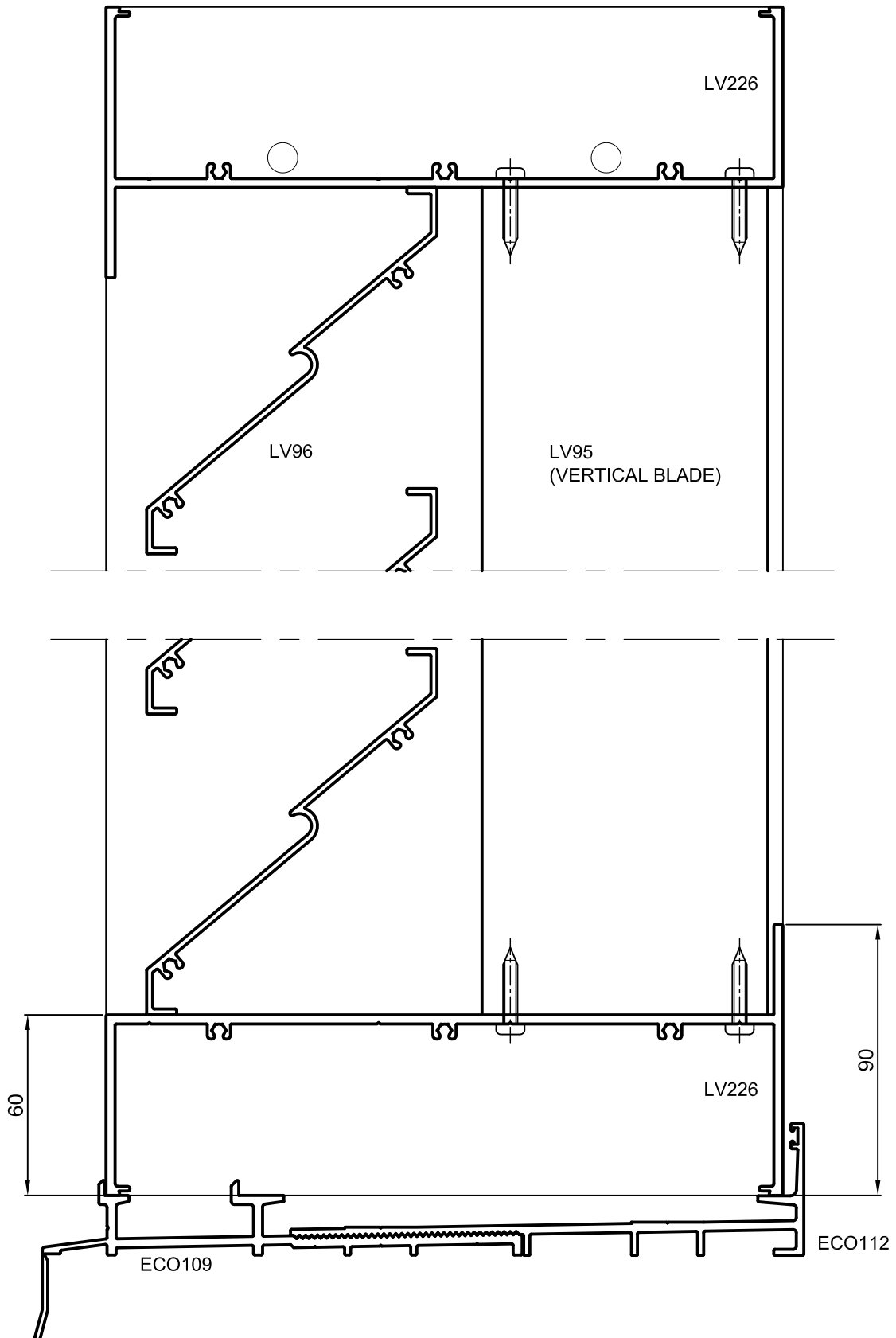
Mass. 2.140 Kg/m
Anod. Per. 500
Paint Per. 309



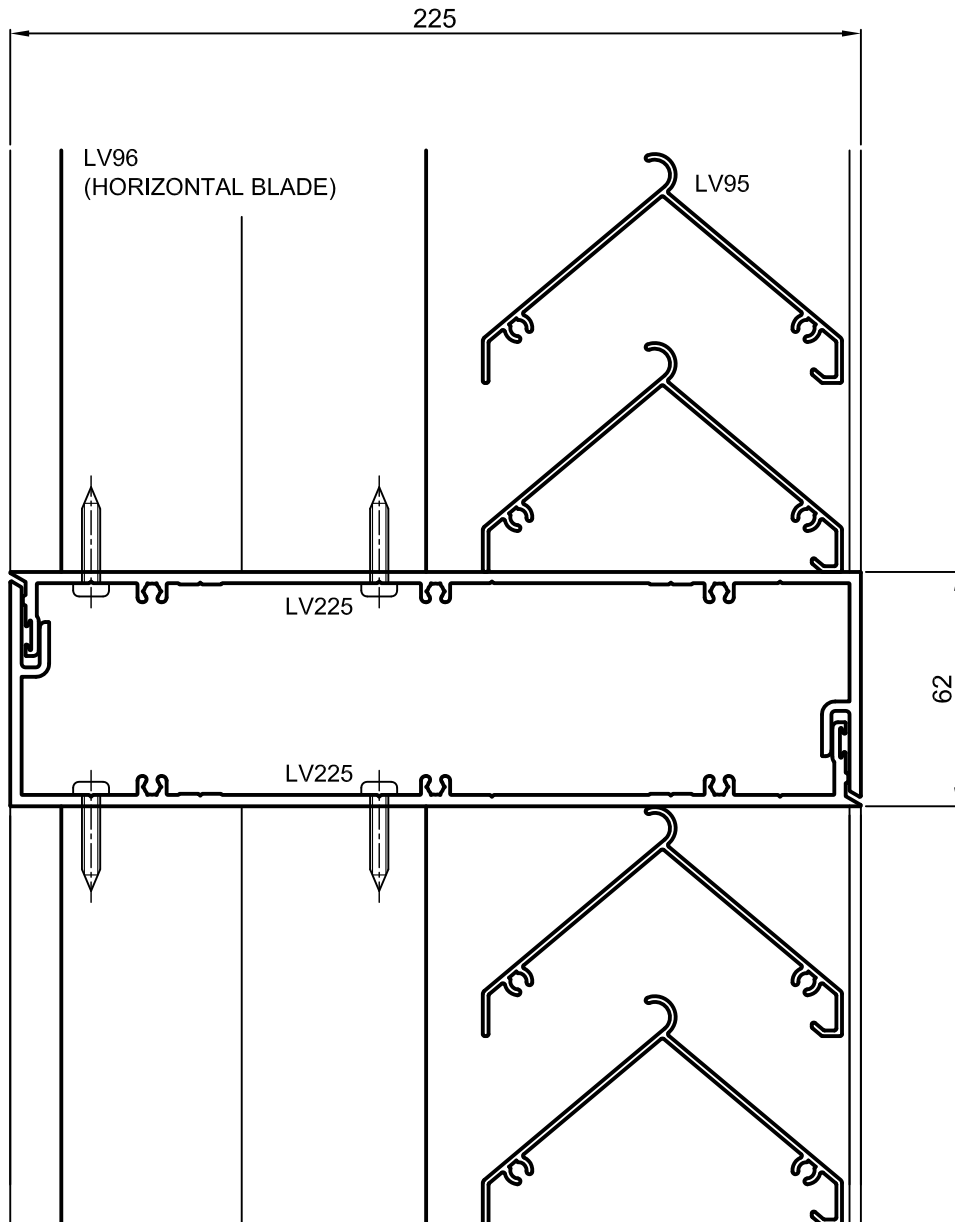
LVE303
LOUVRE END CAP

Mass. 0.579 Kg/m
Anod. Per. 247
Paint Per. 100

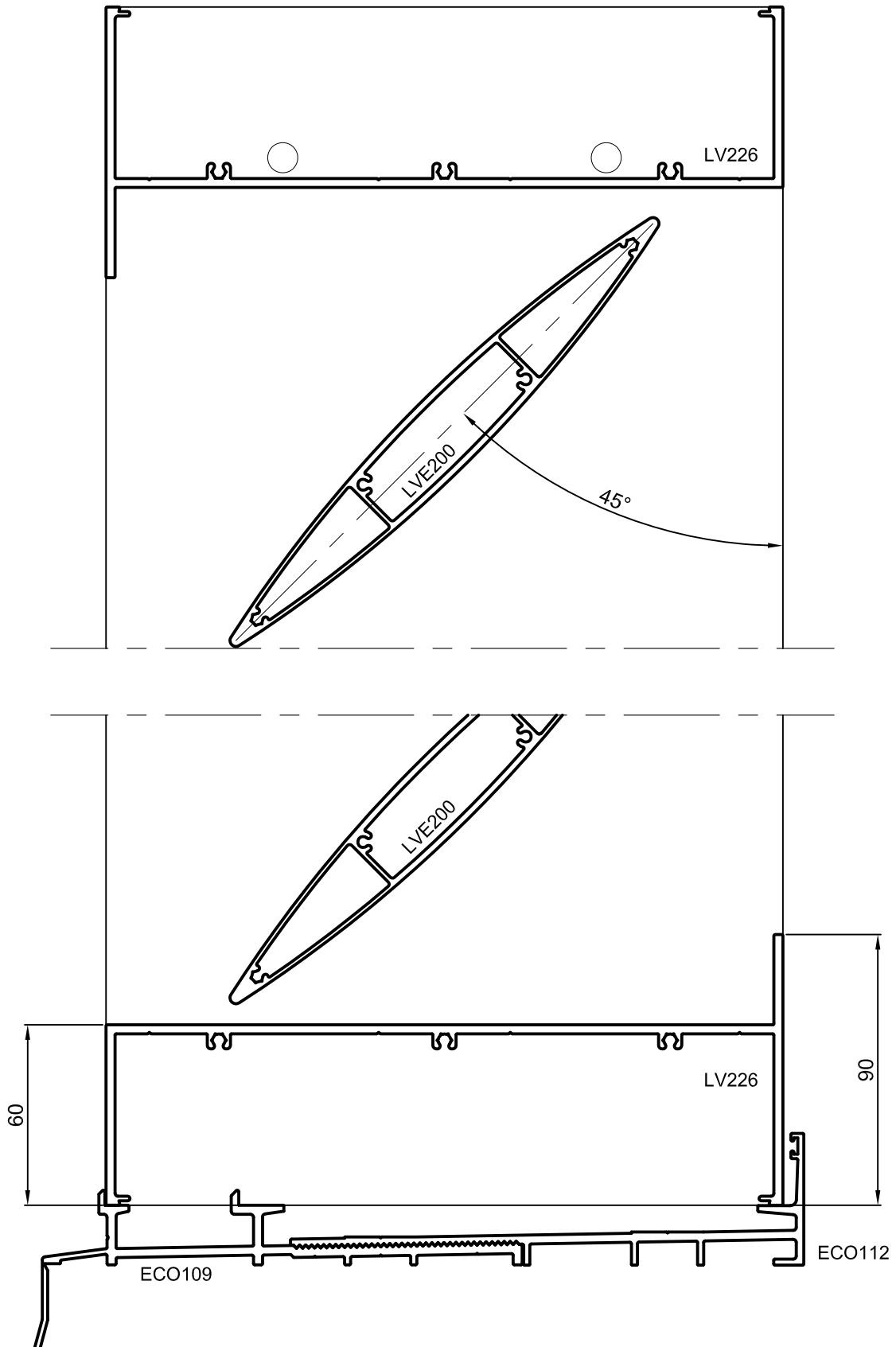
VERTICAL DETAIL - 225mm FRAME - 2 STAGE LOUVRES



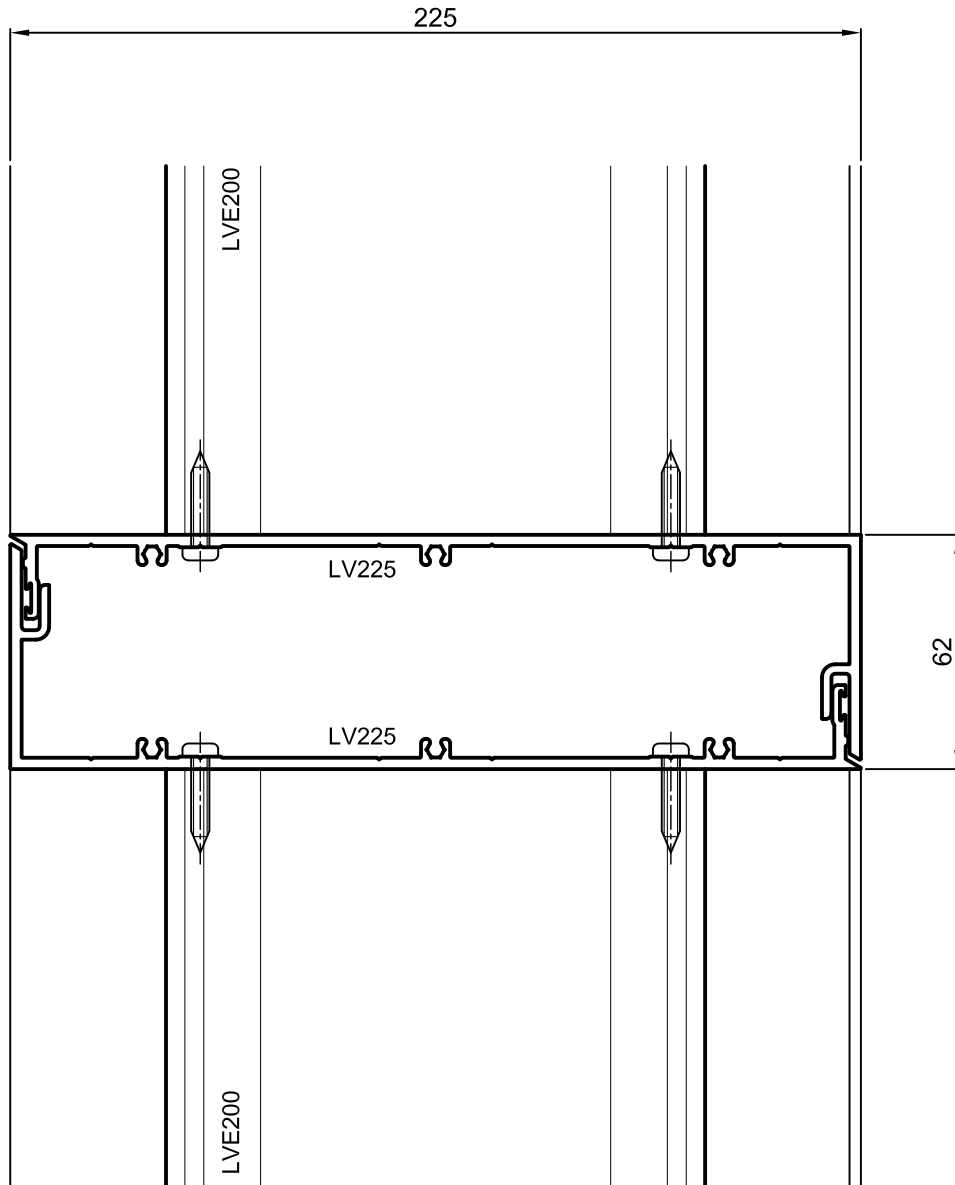
HORIZ DETAIL - 225mm MULLION- 2 STAGE LOUVRES



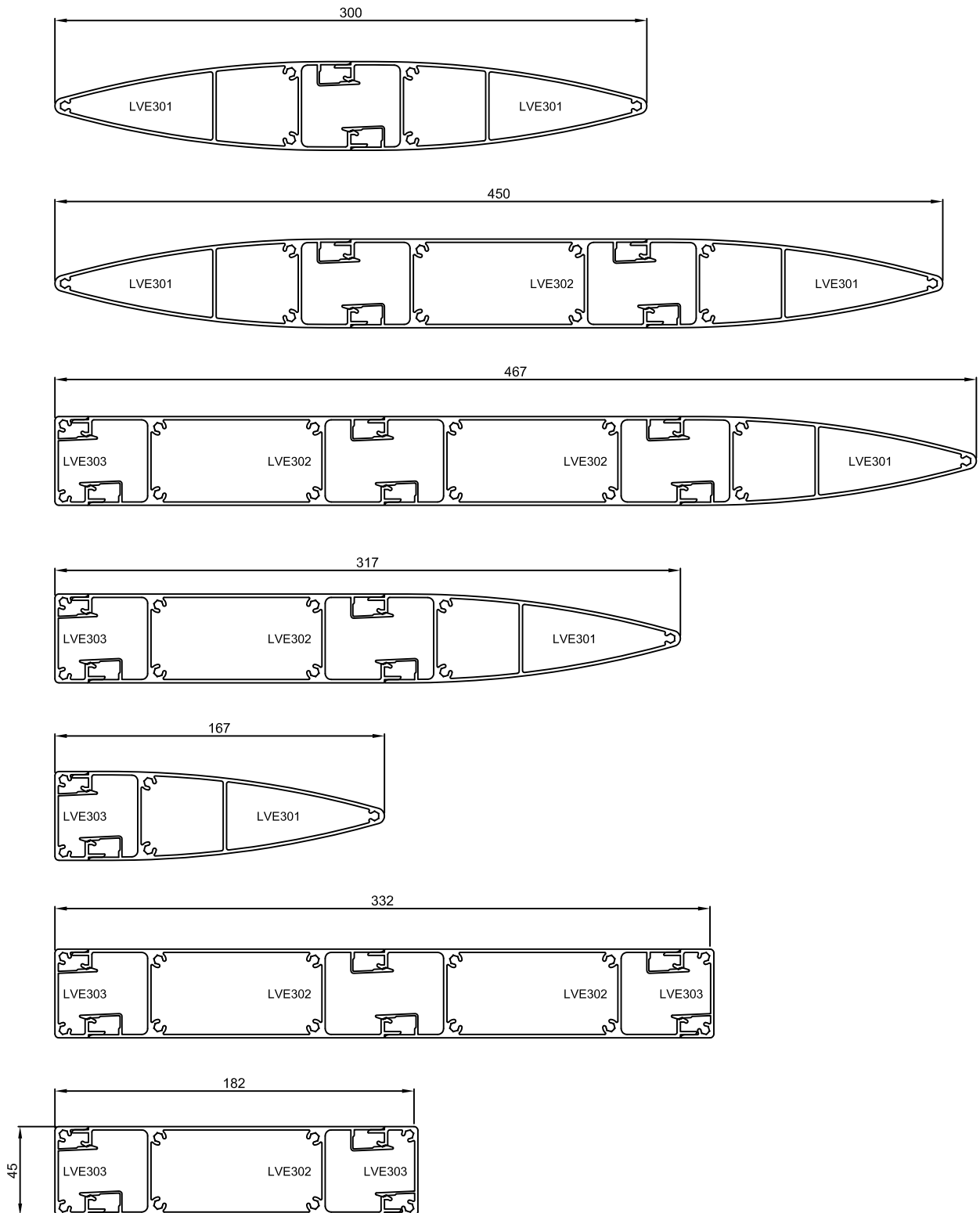
VERTICAL DETAIL - 225mm FRAME - LVE200



HORIZONTAL DETAIL - 225mm MULLION- LVE200



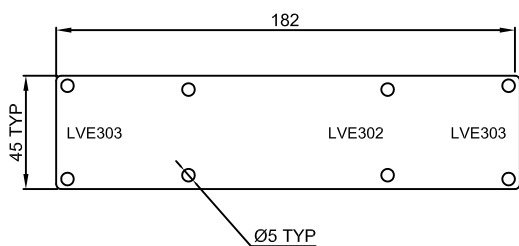
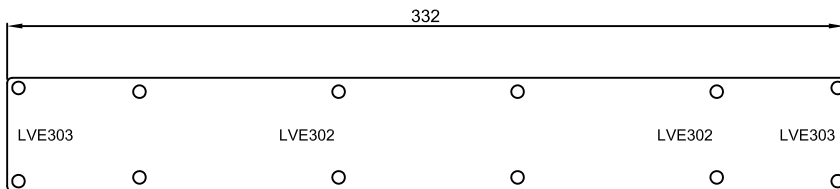
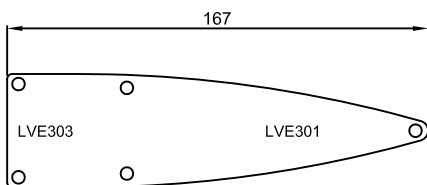
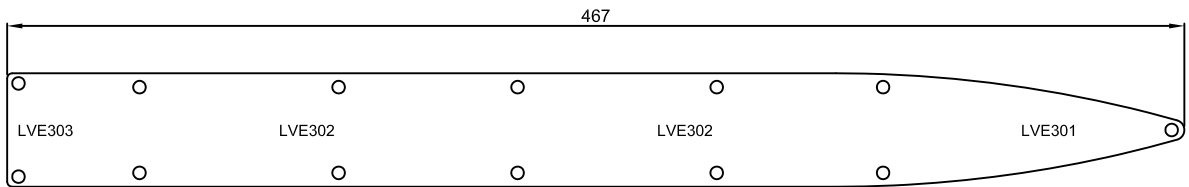
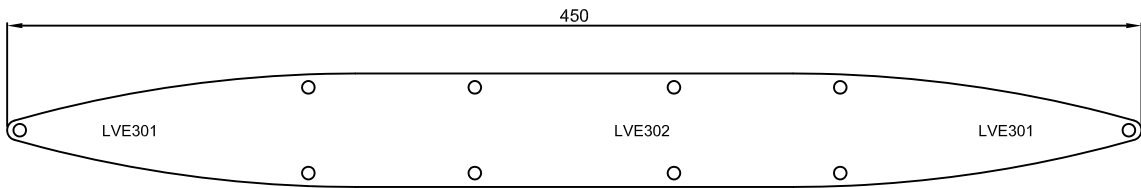
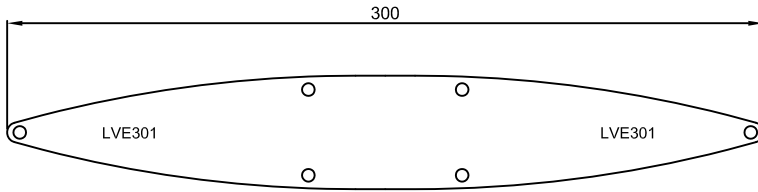
LVE ASSEMBLY COMBINATIONS



PLEASE CONTACT ALSPEC DESIGN OFFICE FOR ASSISTANCE WHEN;

- VERTICAL SPANS EXCEED 3m
- HORIZONTAL SPANS EXCEED 2m
- ULTIMATE WIND PRESSURE EXCEEDS 1500Pa

LVE END CAP PROFILES



3mm ALUMINIUM END CAPS TO BE FITTED
(NOT SUPPLIED BY ALSPEC)

CAD DATA FOR PROFILE CUTTING IS
AVAILABLE ON THE ALSPEC WEBSITE