

## CUSTOMER TECHNICAL MEMO # 178

**Subject:** NEW DIE – AS71 Glazing Channel

**Date:** 14/8/13

**From:** Product Development

Good Afternoon,

Please see attached for the new section added to our range of aluminium glazing channels.

**APPLICATION:** Designed to create an extra wide gazing pocket for composite boards, sandwich panels and retrofit double glazing into our McArthur centre pocket system, using existing awning glazing beads. Suits panel thicknesses between 24mm and 58mm.

If you have any questions please do not hesitate to contact your local Area Manager or Sales Office.

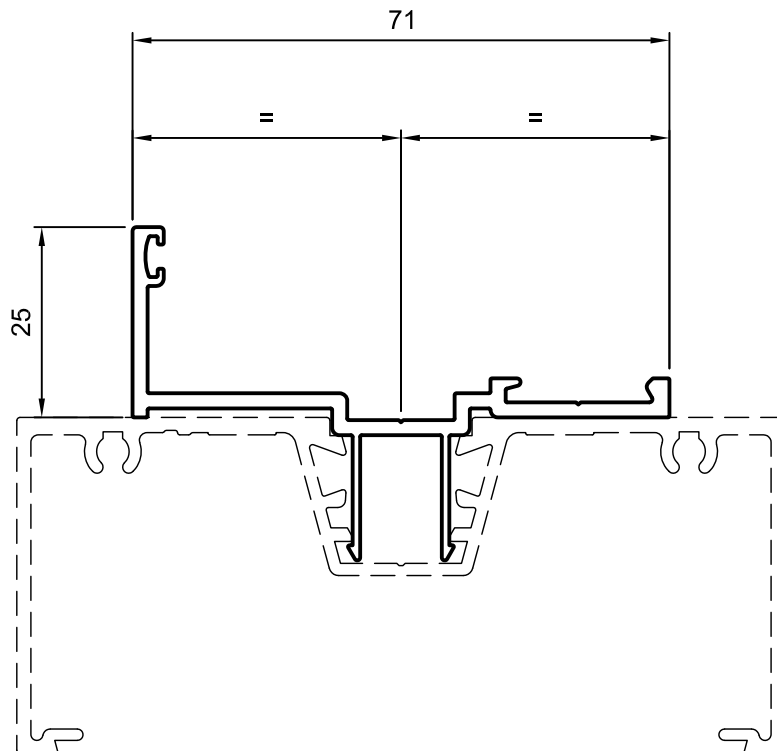
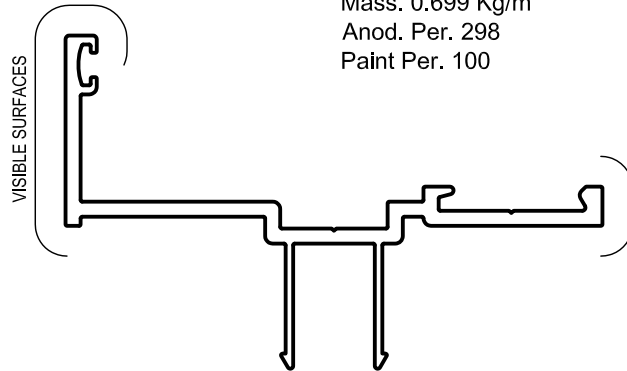
Regards,

Product Development

## Extrusions

AS71  
GLAZING ADAPTOR

Mass. 0.699 Kg/m  
Anod. Per. 298  
Paint Per. 100



## Extrusions

