

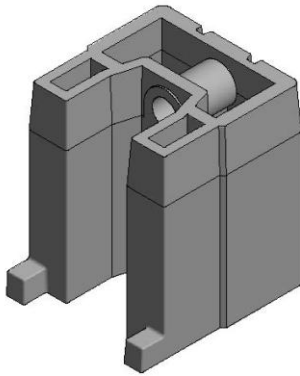
## CUSTOMER TECHNICAL MEMO # 247

**Subject: New ProGlide Compression Blocks**

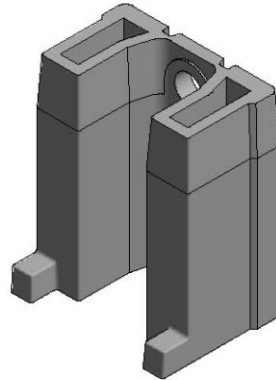
**Date:** October 2015

Good Morning All,

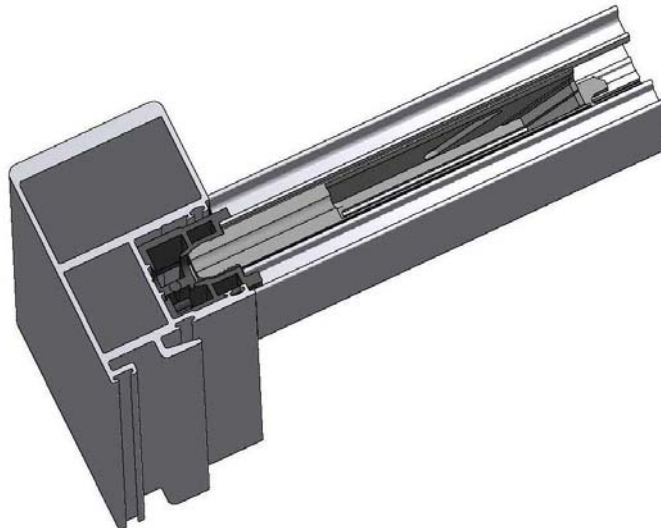
We have developed two new compression blocks for ProGlide Double Glazed Site Glazed sashes giving far greater support around the roller carriages resulting in improved strength of corner connections.



**PRG022 DG Site Glazed  
Compression Block**  
Alspec code: 1378268



**PRG023 DG Site Glazed Lock Stile  
Compression Block**  
Alspec code: 1378269



If you have any questions please do not hesitate to contact your local Alspec Area Manager or Sales Office.