

CUSTOMER TECHNICAL MEMO # 293

Subject: NEW DIES – McArthur Evo 101.6mm Centre Pocket Framing

Date: 31 July 2017

Good Morning All,

Following are a range of new extrusions which have been added to McARTHUR EVO 101.6mm Centre Pocket Framing.

Section details are as follows:

Code	Description	Die Details	Mass	AP	PP
1600753	ME19 100mm FIXING LEG ADAPTOR	23652	0.973	391	100
1600712	ME72 150mm FIXING LEG ADAPTOR	23651	1.413	487	100
1600737	ME24 25mm NARROW FRAME	23762	1.140	468	127

ME19 + ME72

- Fixing adaptor options added to suite

ME24

- The existing ME22 narrow frame could not accept clip in adaptors, this issue has been addressed in ME24.

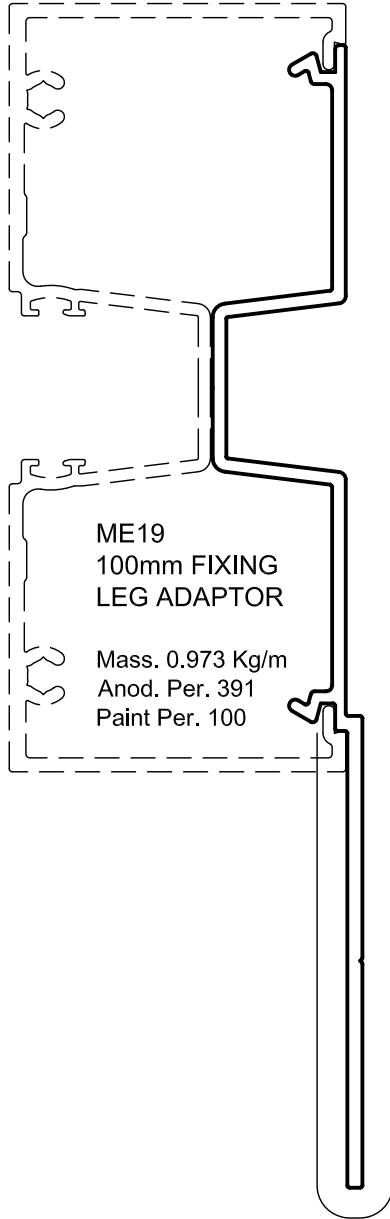
The depth of the glazing pocket in ME24 has been reduced to cater for the adaptors. Therefore it will be limited to 8mm glass cover (max 10mm glass thickness)

Please refer to the drawings attached for your records. The McArthur Evo 101.6mm Tech Manual will be updated upon next release.

If you have any questions please do not hesitate to contact you local Alspec area manager.

Regards,
Product Development

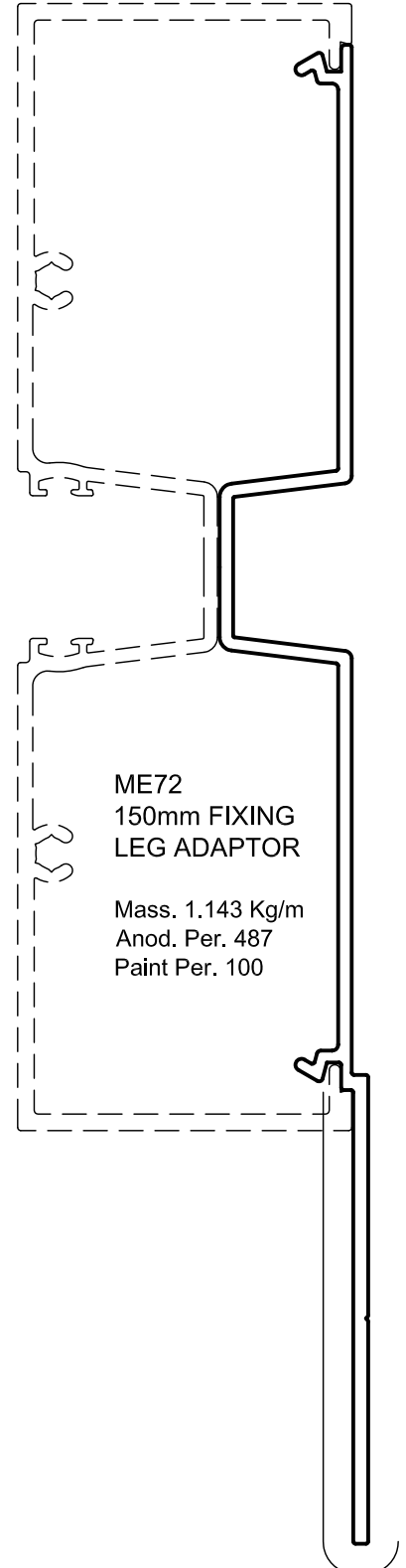
TECH MEMO #293



ME19
100mm FIXING
LEG ADAPTOR

Mass. 0.973 Kg/m
Anod. Per. 391
Paint Per. 100

VISIBLE SURFACE



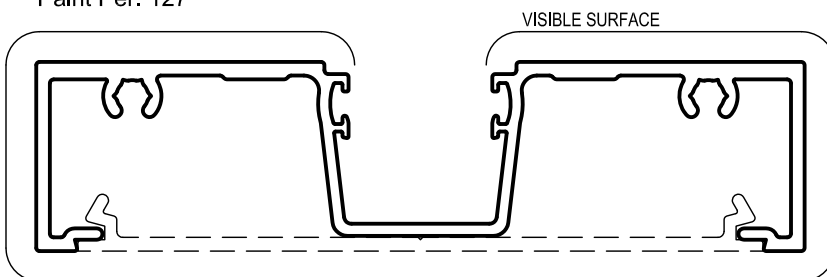
ME72
150mm FIXING
LEG ADAPTOR

Mass. 1.143 Kg/m
Anod. Per. 487
Paint Per. 100

VISIBLE SURFACE

ME24
25mm NARROW FRAME

Mass. 1.140 Kg/m
Anod. Per. 468
Paint Per. 127



VISIBLE SURFACE