

CUSTOMER TECHNICAL MEMO # 76

Subject: NEW RELEASE - Linear Shading System

Date: 20/7/09

From: Product Development

ALSPEC have developed the first release extrusions that will form the basis of our new Linear Shading System.

Used in exterior applications, LSS001 an 89mm linear curved profile blade snaps onto LSS002 linear bracket extrusion. These brackets would be cut to 20mm width or any desired width to suit individual applications.

ALSPEC's Linear Shading System offers a stylish and versatile sun louvre effective:

- in providing privacy screening
- in helping to reduce heat and eliminating glare
- in providing quick and easy installation
- as durable aluminium extrusions requiring low maintenance, available to order in a number of anodised or powder coat finishes

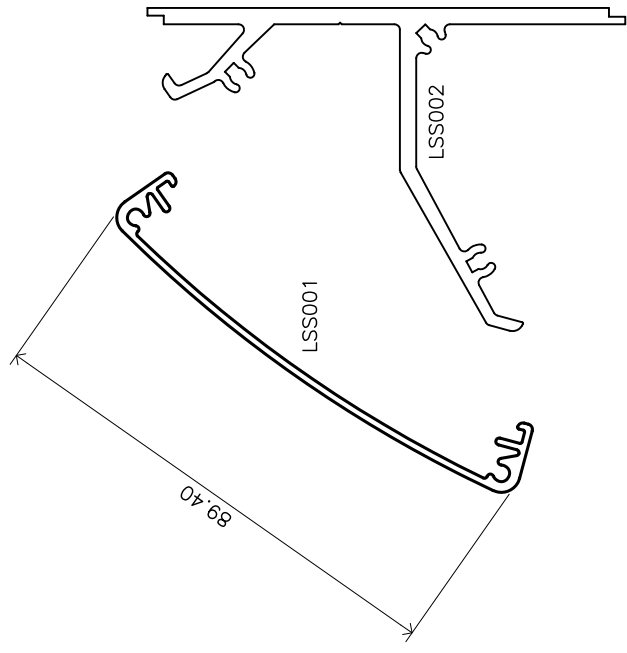
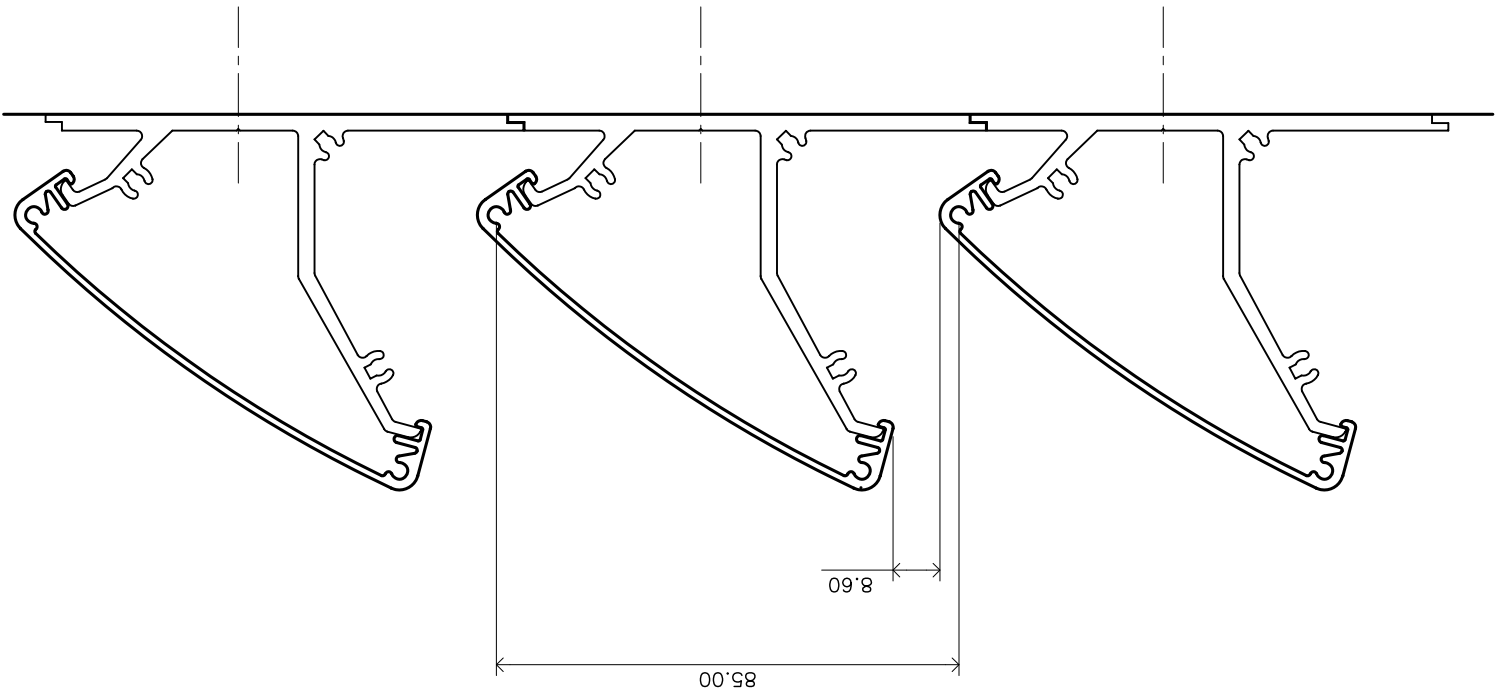
ALSPEC descriptions and codes are as noted below. Please refer page 2 for a detail of ALSPEC's Linear Shading System.

LSS001 LINEAR 89mm BLADE*6.0M – Alspec code: 630100

LSS002 (EXT) LINEAR BRACKET EXTRUSION*6.0M – Alspec code: 630110

LSS002 LINEAR STANDARD BRACKET – Alspec code: 354001

If you have any questions please do not hesitate to contact you local Area Manager or Sales Office.



COPYRIGHT
 The Designs, Drawings and Specifications, and the Copyright therein are the property of ALSPEC and must not be passed on to any other party, reproduced or copied wholly or in part without the permission of ALSPEC

TOPIC

LINEAR SHADING SYSTEM

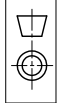
alspec
 ALUMINIUM SYSTEMS SPECIALISTS
 3 ALSPEC PLACE, EASTERN CREEK
 N.S.W. 2766
 PHONE: (02) 9834 9500
 FAX: (02) 9834 9533

DRAWN
 WZ

DATE
 13.05.09

CHECKED
 .

SCALE
 1:1 in A3



DWG No.
 PD-013-C

REV
 .