

The Heta hardware range was inspired by the curved coastline in NSW. A blend of contemporary design and functionality, the curved design features are soft to touch and create seamless operating movements. A stylish and cost-effective solution.

**Designed in Australia.
Inspired by Australia.**



HETA SLIDING SECURITY LOCK

Heta[®] 
HARDWARE BY ALSPEC

alspec[®]
EVERYTHING ALUMINIUM
& HARDWARE

Heta Sliding Security Lock

Operation:

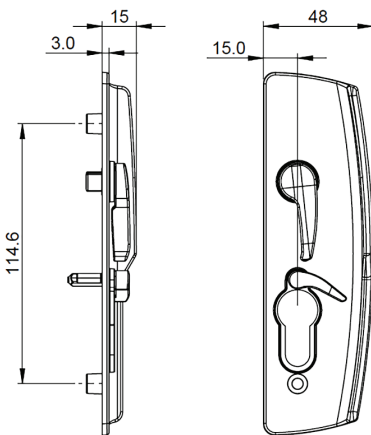
A reliable mortice lock for sliding security doors with a zinc diecast hook beak that is retracted by an outside or inside snib lever. Closing the door causes the hook beak in the lock to self latch and engage with the catch plate automatically. Once the beak is engaged, it may be locked (or unlocked) from either side by key.

Special Features:

- Zinc diecast beak and catch plate as a standard feature for superior performance.
- Interior snib lever for quick and convenient locking without the need for a key.
- Fixing screws only accessible from the inside, providing enhanced security.
- Anti-lift pin on the catch plate engages lock body to prevent the door being lifted out of its tracks.



INTERNAL



Multipoint:

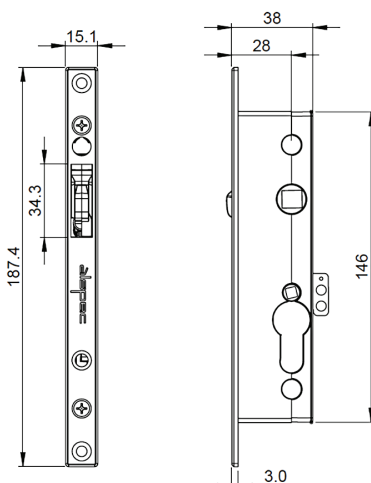
Heta Sliding Lock body may be connected to multipoint kits to provide three-point locking. These kits provide a top and a bottom bolt, each connected to the main lock body by a steel rod. The remote bolts are activated whenever the door is locked by key or snib (see next page for details).

Installation Features:

- Fits into industry standard cut-outs.
- Standard lock fits door frames from 19mm to 25mm thick.
- Suits both left-hand and right-hand sliding doors.
- Fitting instructions can be downloaded from www.alspec.com.au or QR code.



LOCKBODY



Keying:

- Accepts Alspec euro profile lazy cam cylinders.
- Can be keyed alike.

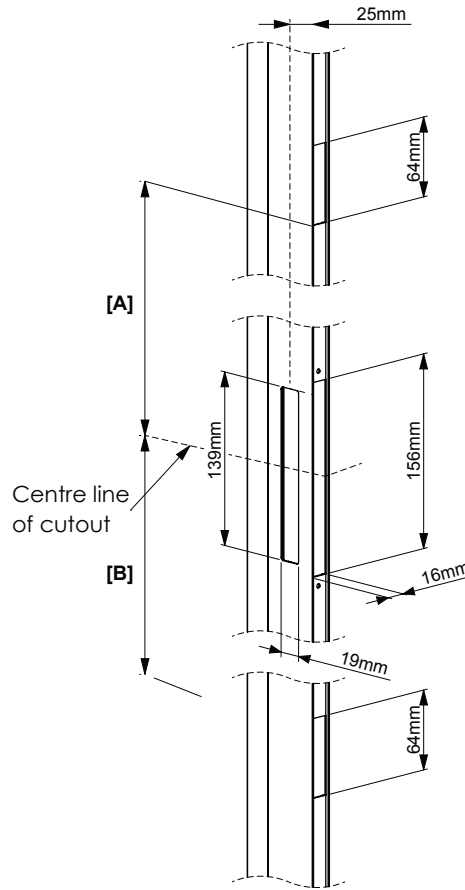
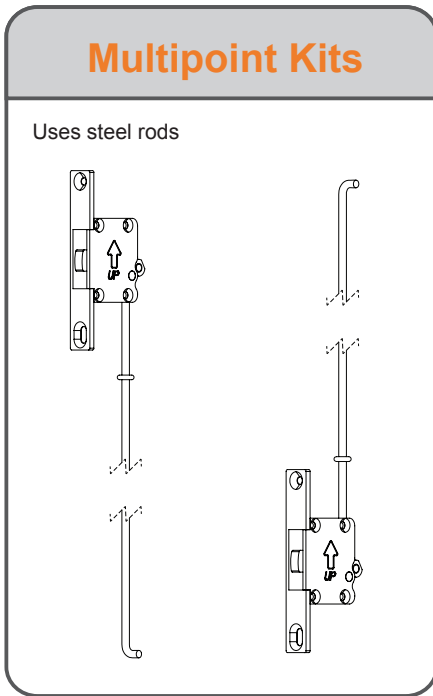
Finishes:

A range of powder coated finishes available as shown below.

ALSPEC CODE	DESCRIPTION
1308157	HETA SLIDING SEC LOCK - BLACK
1308158	HETA SLIDING SEC LOCK - WHITE
1308159	HETA SLIDING SEC LOCK - PRIMROSE
1308186	HETA SLIDING SEC LOCK - MONUMENT

Door Cutout Details

Prepare the door according to the table and diagram below to suit the application.



ALSPEC CODE	DESCRIPTION	SETTING	[A]	[B]
1395005	HETA SLIDING DOOR MULTI POINT KIT(ROD OPERATED)	HIGH	546mm	961mm
		LOW	961mm	546mm

Tolerance +/- 3mm

The Alspec multi-point kit comes with high and low connecting rods. Select the appropriate rods for the application.

	TOP ROD	BOTTOM ROD
HIGH	570mm	993mm
LOW	985mm	578mm

Cylinders used for Security Doors



Key Features:

- Five-pin lazy cam euro cylinder
- C4 keyway profile
- Supplied with two keys
- Non-handed cylinder
- Keyed alike
- Removable cap for easy re-pinning cylinder
- Available in Bright Chrome Plated and Black finish

Item No.	Description
1360240	ALSPEC 62MM LAZY CAM CYLINDER 2 x 5 PIN EURO BC KA PACK x10
1360241	ALSPEC 62MM LAZY CAM CYLINDER 2 x 5 PIN EURO BC KEY A01
1360242	ALSPEC 62MM LAZY CAM CYLINDER 2 x 5 PIN EURO BC KEY A02
1360243	ALSPEC 62MM LAZY CAM CYLINDER 2 x 5 PIN EURO BC KEY A03
1360244	ALSPEC 62MM LAZY CAM CYLINDER 2 x 5 PIN EURO BC KEY A04
1360245	ALSPEC 62MM LAZY CAM CYLINDER 2 x 5 PIN EURO BC KEY A05
1360246	ALSPEC 62MM LAZY CAM CYLINDER 2 x 5 PIN EURO BC KEY A06
1360247	ALSPEC 62MM LAZY CAM CYLINDER 2 x 5 PIN EURO BC KEY A07
1360248	ALSPEC 62MM LAZY CAM CYLINDER 2 x 5 PIN EURO BC KEY A08
1360249	ALSPEC 62MM LAZY CAM CYLINDER 2 x 5 PIN EURO BC KEY A09
1360250	ALSPEC 62MM LAZY CAM CYLINDER 2 x 5 PIN EURO BC KEY A10
1360340	ALSPEC 62MM LAZY CAM CYLINDER 2 x 5 PIN EURO BC KEY A11
1360341	ALSPEC 62MM LAZY CAM CYLINDER 2 x 5 PIN EURO BC KEY A12
1360342	ALSPEC 62MM LAZY CAM CYLINDER 2 x 5 PIN EURO BC KEY A13
1360343	ALSPEC 62MM LAZY CAM CYLINDER 2 x 5 PIN EURO BC KEY A14
1360344	ALSPEC 62MM LAZY CAM CYLINDER 2 x 5 PIN EURO BC KEY A15
1360345	ALSPEC 62MM LAZY CAM CYLINDER 2 x 5 PIN EURO BC KEY A16
1360346	ALSPEC 62MM LAZY CAM CYLINDER 2 x 5 PIN EURO BC KEY A17
1360347	ALSPEC 62MM LAZY CAM CYLINDER 2 x 5 PIN EURO BC KEY A18

Item No.	Description
1360348	ALSPEC 62MM LAZY CAM CYLINDER 2 x 5 PIN EURO BC KEY A19
1360349	ALSPEC 62MM LAZY CAM CYLINDER 2 x 5 PIN EURO BC KEY A20
1360350	ALSPEC 62MM LAZY CAM CYLINDER 2 x 5 PIN EURO BC KEY A21
1360351	ALSPEC 62MM LAZY CAM CYLINDER 2 x 5 PIN EURO BC KEY A22
1360352	ALSPEC 62MM LAZY CAM CYLINDER 2 x 5 PIN EURO BC KEY A23
1360353	ALSPEC 62MM LAZY CAM CYLINDER 2 x 5 PIN EURO BC KEY A24
1360354	ALSPEC 62MM LAZY CAM CYLINDER 2 x 5 PIN EURO BC KEY A25
1360329	ALSPEC 62MM LAZY CAM CYLINDER 2 x 5 PIN EURO BLK KA PACK x10
1360330	ALSPEC 62MM LAZY CAM CYLINDER 2 x 5 PIN EURO BLK KEY A01
1360331	ALSPEC 62MM LAZY CAM CYLINDER 2 x 5 PIN EURO BLK KEY A02
1360332	ALSPEC 62MM LAZY CAM CYLINDER 2 x 5 PIN EURO BLK KEY A03
1360333	ALSPEC 62MM LAZY CAM CYLINDER 2 x 5 PIN EURO BLK KEY A04
1360334	ALSPEC 62MM LAZY CAM CYLINDER 2 x 5 PIN EURO BLK KEY A05
1360335	ALSPEC 62MM LAZY CAM CYLINDER 2 x 5 PIN EURO BLK KEY A06
1360336	ALSPEC 62MM LAZY CAM CYLINDER 2 x 5 PIN EURO BLK KEY A07
1360337	ALSPEC 62MM LAZY CAM CYLINDER 2 x 5 PIN EURO BLK KEY A08
1360338	ALSPEC 62MM LAZY CAM CYLINDER 2 x 5 PIN EURO BLK KEY A09
1360339	ALSPEC 62MM LAZY CAM CYLINDER 2 x 5 PIN EURO BLK KEY A10

Cylinders used for Barrier Doors



Key Features:

- Five-disc Lazy cam euro cylinder
- Supplied with two keys
- Non-handed cylinder
- Keyed alike
- Available in Bright Chrome Plated finish

Item No.	Description
1308360	ALSPEC 46MM LAZY CAM DISC CYL 2 x 5 DISC EURO BC KA PACK x10
1308361	ALSPEC 46MM LAZY CAM DISC CYL 2 x 5 DISC EURO BC KEY D101
1308362	ALSPEC 46MM LAZY CAM DISC CYL 2 x 5 DISC EURO BC KEY D102
1308363	ALSPEC 46MM LAZY CAM DISC CYL 2 x 5 DISC EURO BC KEY D103
1308364	ALSPEC 46MM LAZY CAM DISC CYL 2 x 5 DISC EURO BC KEY D104
1308365	ALSPEC 46MM LAZY CAM DISC CYL 2 x 5 DISC EURO BC KEY D105
1308366	ALSPEC 46MM LAZY CAM DISC CYL 2 x 5 DISC EURO BC KEY D106
1308367	ALSPEC 46MM LAZY CAM DISC CYL 2 x 5 DISC EURO BC KEY D107
1308368	ALSPEC 46MM LAZY CAM DISC CYL 2 x 5 DISC EURO BC KEY D108
1308369	ALSPEC 46MM LAZY CAM DISC CYL 2 x 5 DISC EURO BC KEY D109
1308370	ALSPEC 46MM LAZY CAM DISC CYL 2 x 5 DISC EURO BC KEY D110

Contact your local branch to purchase

SYDNEY

3 Alspec Place
Eastern Creek NSW 2766
Phone: 02 9834 9500
sydney@alspec.com.au

MELBOURNE

26-40 Pound Road West
Dandenong South VIC 3175
Phone: 03 8787 6333
melbourne@alspec.com.au

BRISBANE

8-22 Jutland Street
Loganlea QLD 4131
Phone: 07 3089 4900
brisbane@alspec.com.au

ADELAIDE

1 Pope Court
Beverley SA 5009
Phone: 08 8150 6960
adelaide@alspec.com.au

DARWIN

25 Bishop Street
Woolner NT 0820
Phone: 08 8941 7300
darwin@alspec.com.au

CANBERRA

28 Sheppard Street
Hume ACT 2620
Phone: 02 5134 3300
canberra@alspec.com.au

PERTH

30 Holder Way
Malaga WA 6090
Phone: 08 9209 9100
perth@alspec.com.au

NEWCASTLE

95 Griffiths Road
Lambton NSW 2299
Phone: 02 4952 9111
newcastle@alspec.com.au

BRENDALE

24 Doherty Street
Brendale QLD 4500
Phone: 07 3205 9911
brendale@alspec.com.au

SUNSHINE COAST

4-8 Empire Crescent
Chevallum QLD 4555
Phone: 07 5437 6123
sunshinecoast@alspec.com.au

TOWNSVILLE

21 Carroll Street
Mount Louisa QLD 4814
Phone: 07 3089 4965
townsville@alspec.com.au

CAIRNS

34-38 Hargreaves Street
Edmonton QLD 4869
Phone: 07 4037 6666
cairns@alspec.com.au

BUNDABERG

17 Production Street
Svensson Heights QLD 4670
Phone: 07 4111 2000
bundaberg@alspec.com.au

CARRUM DOWNS

99 Frankston Gardens Drive
Carrum Downs VIC 3201
Phone: 03 9775 1223
carrumdowns@alspec.com.au

Call 1300 ALSPEC (1300 257 732)
alspec.com.au