

CUSTOMER TECH MEMO # 516

Subject *Invisi-Gard – TM Addition of IWF3E and IWF1L - April*

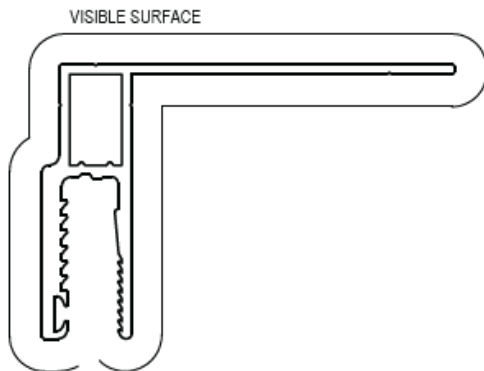
Date: 29th April 2022

Author: The Design Team

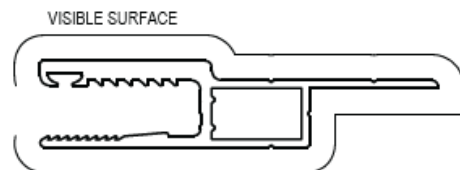
We are very pleased to advise the addition of two new extrusions for the **Invisi-Gard 316 Stainless Steel Security**. The latest **Invisi-Gard 316 Stainless Steel Security** Technical Manual is dated April 2022 – Issue M.

Please see below the new extrusions that have been added to the technical manual:

Code	Description	Mass	AP	PP
1409112	IWF3E Invisi-Gard 50mm Offset	0.799	285	199
1409001	IWF1L Invisi Window Frame 11mm With Leg	0.582	224	137



IWF3E
INVISI-GARD
50mm OFFSET
Anod Per. 285
Paint Per. 199



IWF1L
INVISI WINDOW FRAME
11mm WITH LEG
Anod Per. 224
Paint Per. 137

The **Invisi-Gard 316 Stainless Steel Security** Technical Manual has been updated to include details of the IWF3E Invisi-Gard 50mm Offset and IWF1L Invisi Window Frame 11mm with Leg on Extrusions page 5.4. IWF3E Invisi-Gard 50mm Offset was added to suit framing for motorised louvres and IWF1L Invisi Window Frame 11mm with Leg was added to enable for an additional fixing.

If you have any questions, please do not hesitate to contact your local Alspec Area Manager or Sales Office.

