



**ALSPEC  
APPROVED  
HARDWARE**

# ALSPEC SPRING BALANCE WINDOW HARDWARE RANGE

Call 1300 ALSPEC (1300 257 732)  
[alspec.com.au](http://alspec.com.au)

**alspec**<sup>®</sup>  
EVERYTHING ALUMINIUM  
& HARDWARE

# SPRING BALANCE WINDOW HARDWARE RANGE



## SPRING BALANCE | WINDOW HARDWARE RANGE

SPRING BALANCE   Suitable windows	<b>4</b>
SPRING BALANCE   Components Kit	<b>6</b>
SPRING BALANCE   Selecting the Spring	<b>7</b>
SPRING BALANCE   Friction Feet	<b>8</b>
SPRING BALANCE   Sash Weight Chart	<b>10</b>
SPRING BALANCE   Ordering Chart	<b>13</b>



ALSPEC  
APPROVED  
HARDWARE

## DOUBLE HUNG WINDOWS

Double Hung windows have been installed in Australian houses for decades.

The unique window design allows warm air to escape through the top of the window whilst drawing cool air in through the bottom. This circulation is ideal where ventilation is desired.

As Double Hung windows have become more common and sizes have become larger the challenge has been to provide reliable hardware to meet this requirement. The Spring Balance system offers over 30 years of experience to offer a mechanism that is recognised as the most reliable maintenance free balance system available.

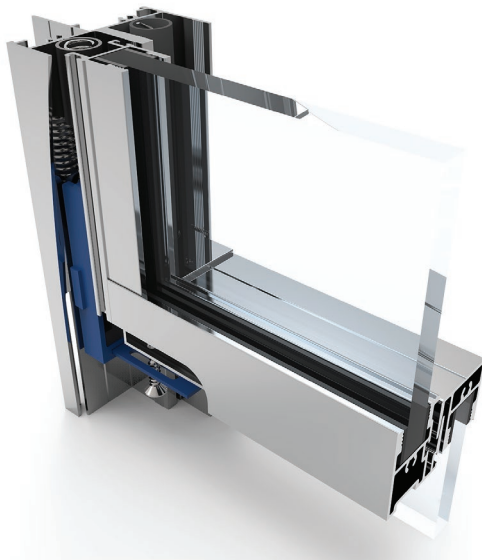


---

## BALANCES TO SUIT ALUMINIUM WINDOWS

Designed to complement and work within the dimensional restraints of modern aluminium double hung windows.

The Spring Balance suits windows from 1.6kg through to 22kg providing a reliable easy to operate mechanism to balance a window.



### FEATURES

- Comprehensive range of sizes and strengths. (See size chart)
- Accessories available such as stops, guides, and friction feet.
- Durable materials provide reliability and longevity.
- Made in Australia

# SPRING BALANCE | COMPONENTS KIT

Spring Balance set includes, 4x Springs, Stops, and Friction Feet

## **DB0708/R** ADJUSTABLE FRICTION FOOT (REVERSE ASSEMBLY)

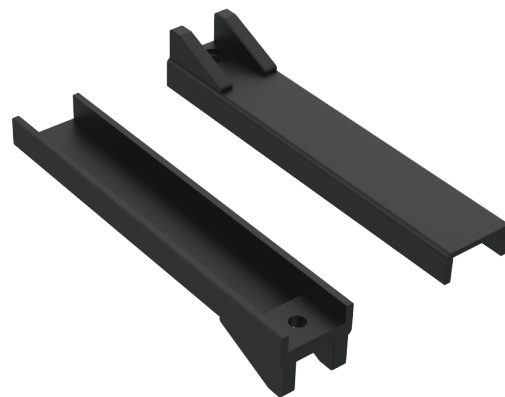
Friction foot used in the Alspec system is the DB0708/R and comes standard with the spring balance kit.



## **DB0327L** - LARGE ADJUSTABLE SLIDING WINDOW CARRIAGE



## **DB0327S** - SMALL ADJUSTABLE SLIDING WINDOW CARRIAGE



## SELECTING THE CORRECT BALANCE

Spring balances are separated by length and strength. The height of the window determines the spring length, the weight of the window determines the spring strength.

To select the correct spring, measure the internal dimensions of the window. See figure 1.

Reference the height, the width and the glass thickness with the "SASH WEIGHT CHART".

**Note: Round the measured window height up to the nearest value found in the chart.**

For example; a window that measures 1230mm high, will require a spring with a length of 1299mm. If the width is 650mm and the glass thickness is 6mm a blue spring is required.

If you do not know the glass thickness the sash must be weighed and the weight referenced against the "SASH WEIGHT CHART".

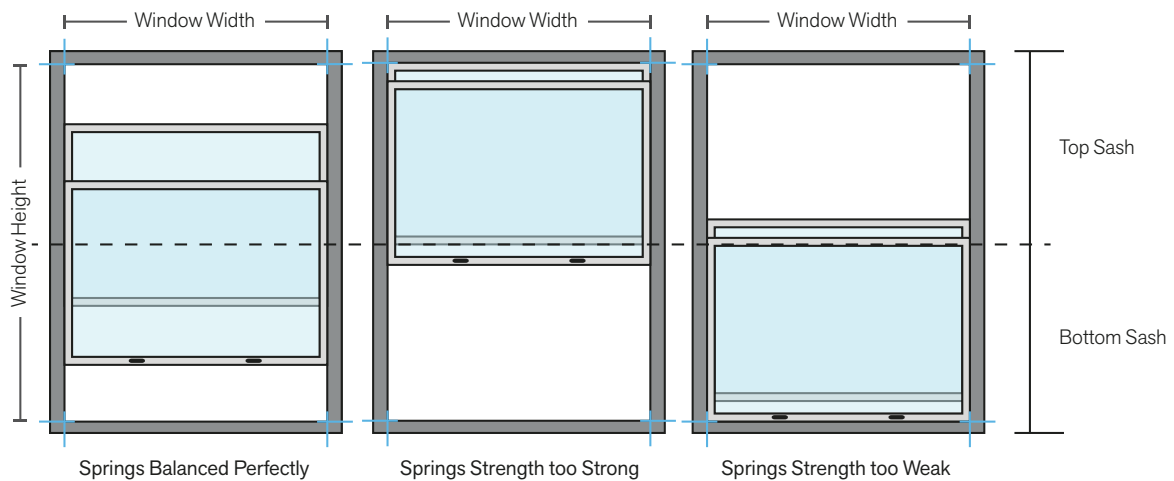
6mm Glass - Sash Weight Chart		Window Width Range					
Window Height Range	Spring Length	600	650	700	750	800	850
699	179	3.3	3.5	3.8	4.1	4.4	4.6
799	229	3.7	4.1	4.4	4.7	5.0	5.3
899	279	4.2	4.6	4.9	5.3	5.6	6.0
999	329	4.7	5.1	5.5	5.8	6.2	6.6
1099	379	5.1	5.6	6.0	6.4	6.9	7.3
1199	429	5.6	6.1	6.5	7.0	7.5	7.9
1299	479	6.1	6.6	7.1	7.6	8.1	8.6
1399	529	6.5	7.1	7.6	8.2	8.7	9.3
1499	579	7.0	7.6	8.2	8.8	9.4	9.9
2499	1079	11.7	12.7	13.6	14.6	15.6	16.6

Source; 6mm Glass Sash Weight Chart

## IDENTIFYING CORRECT COLOUR

Using the internal height and width axis, this is known as "daylight opening size". The Daylight Opening Size is the measurement to be applied to the Sash Weight Chart. Additionally, the glass thickness is required to identify the correct chart to use.

Figure 1.



Once installed and without adjustment applied to the friction foot, a correctly selected spring will balance the sash within the middle third of the window stroke. If this is not the case the spring weight colour is not correct and the spring should be changed for the correct colour.

## COLOUR CODES

Specific colour coding of the spring balances is clearly marked, visible on the spring ends and the tube end caps so you can cross check and ensure the right spring balance is used.

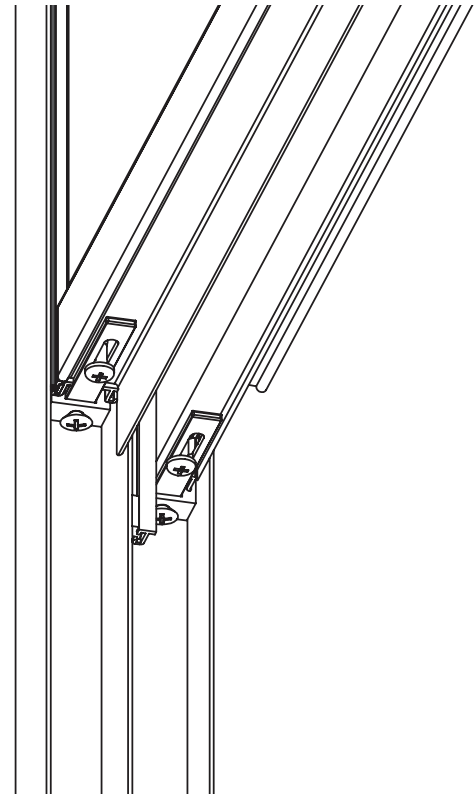
RED	YELLOW	WHITE	BLUE	GREEN	BLACK	GREY
0 - 2.75kg	2.75 - 4.25kg	4.25 - 6.00kg	6.00 - 10.00kg	10.00 - 14.00kg	14.00 - 18.00kg	18.00 - 22.00kg

## FRICTION FEET

Friction feet are required in every spring balance application. A friction foot is designed specifically to hold the window in the desired position. It is not designed to compensate for an incorrect spring strength. See **"SELECTING THE CORRECT BALANCE"**.

Once the correct spring balance length and weight (strength) is selected, the right friction needs to be applied which is supplied in the balance set.

A friction foot has approximately 3-4 mm of adjustment from its base position.

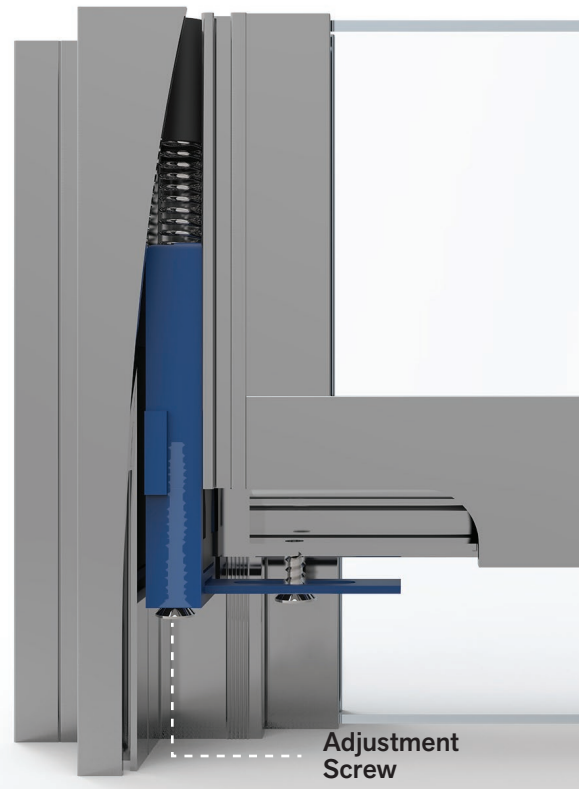


## FRICTION FOOT ADJUSTMENT

Once the Spring Balance is installed and checked to be the correct weight for the window the following procedure should followed to tension the friction feet:

1. Loosen the friction foot adjustment screw until the friction foot no longer applies friction to the extrusion.
2. Cycle the sash (window) up and down several times to check if the friction feet are disengaged.
3. Tighten the friction foot adjustment screw until a small amount of tension is felt on the screw. Repeat on the opposing side.
4. Cycle the window again to make sure a small amount of friction is present.
5. Tighten the adjustment screw half a turn.
6. Cycle the window and attempt to set the window in the position where the spring is not in tension. The window should remain in place. If the window moves add another half turn to the friction feet and check again.
7. Tighten the adjustment screw an additional quarter turn to account for wear in the friction foot.

Your window should now be correctly balanced.



**CAUTION:** Never use a power drill to adjust a friction foot or over tension the adjustment screw. This causes the friction foot to distort and can damage the window channel surface.

# SPRING BALANCE | SASH WEIGHT CHART

**3mm Glass - Sash Weight Chart**

Window Height Range	Spring Length	Window Width Range																
		600	650	700	750	800	850	900	950	1000	1050	1100	1150	1200	1250	1300	1350	1400
699	179	1.6	1.7	1.8	2.0	2.1	2.2	2.4	2.5	2.6	2.8	2.9	3.0	3.1	3.3	3.4	3.5	3.7
799	229	1.8	1.9	2.1	2.2	2.4	2.5	2.7	2.8	3.0	3.1	3.3	3.4	3.6	3.7	3.9	4.0	4.2
899	279	2.0	2.2	2.4	2.5	2.7	2.9	3.0	3.2	3.4	3.5	3.7	3.9	4.0	4.2	4.4	4.6	4.7
999	329	2.2	2.4	2.6	2.8	3.0	3.2	3.4	3.6	3.7	3.9	4.1	4.3	4.5	4.7	4.9	5.1	5.2
1099	379	2.5	2.7	2.9	3.1	3.3	3.5	3.7	3.9	4.1	4.3	4.5	4.7	4.9	5.2	5.4	5.6	5.8
1199	429	2.7	2.9	3.1	3.4	3.6	3.8	4.0	4.3	4.5	4.7	4.9	5.2	5.4	5.6	5.8	6.1	6.3
1299	479	2.9	3.2	3.4	3.7	3.9	4.1	4.4	4.6	4.9	5.1	5.4	5.6	5.8	6.1	6.3	6.6	6.8
1399	529	3.1	3.4	3.7	3.9	4.2	4.5	4.7	5.0	5.2	5.5	5.8	6.0	6.3	6.6	6.8	7.1	7.3
1499	579	3.4	3.7	3.9	4.2	4.5	4.8	5.1	5.3	5.6	5.9	6.2	6.5	6.7	7.0	7.3	7.6	7.9
1599	629	3.6	3.9	4.2	4.5	4.8	5.1	5.4	5.7	6.0	6.3	6.6	6.9	7.2	7.5	7.8	8.1	8.4
1699	679	3.8	4.1	4.5	4.8	5.1	5.4	5.7	6.1	6.4	6.7	7.0	7.3	7.6	8.0	8.3	8.6	8.9
1799	729	4.0	4.4	4.7	5.1	5.4	5.7	6.1	6.4	6.7	7.1	7.4	7.8	8.1	8.4	8.8	9.1	9.4
1899	779	4.3	4.6	5.0	5.3	5.7	6.1	6.4	6.8	7.1	7.5	7.8	8.2	8.5	8.9	9.3	9.6	10.0
1999	829	4.5	4.9	5.2	5.6	6.0	6.4	6.7	7.1	7.5	7.9	8.2	8.6	9.0	9.4	9.7	10.1	10.5
2099	879	4.7	5.1	5.5	5.9	6.3	6.7	7.1	7.5	7.9	8.3	8.7	9.1	9.4	9.8	10.2	10.6	11.0
2199	929	4.9	5.4	5.8	6.2	6.6	7.0	7.4	7.8	8.2	8.7	9.1	9.5	9.9	10.3	10.7	11.1	11.5
2299	979	5.2	5.6	6.0	6.5	6.9	7.3	7.8	8.2	8.6	9.1	9.5	9.9	10.3	10.8	11.2	11.6	12.1
2399	1029	5.4	5.8	6.3	6.7	7.2	7.6	8.1	8.5	9.0	9.4	9.9	10.3	10.8	11.2	11.7	12.1	12.6
2499	1079	5.6	6.1	6.6	7.0	7.5	8.0	8.4	8.9	9.4	9.8	10.3	10.8	11.2	11.7	12.2	12.7	13.1

**4mm Glass - Sash Weight Chart**

Window Height Range	Spring Length	Window Width Range																
		600	650	700	750	800	850	900	950	1000	1050	1100	1150	1200	1250	1300	1350	1400
699	179	2.1	2.3	2.4	2.6	2.8	3.0	3.1	3.3	3.5	3.7	3.8	4.0	4.2	4.4	4.5	4.7	4.9
799	229	2.4	2.6	2.8	3.0	3.2	3.4	3.6	3.8	4.0	4.2	4.4	4.6	4.8	5.0	5.2	5.4	5.6
899	279	2.7	2.9	3.1	3.4	3.6	3.8	4.0	4.3	4.5	4.7	4.9	5.2	5.4	5.6	5.8	6.1	6.3
999	329	3.0	3.2	3.5	3.7	4.0	4.2	4.5	4.7	5.0	5.2	5.5	5.7	6.0	6.2	6.5	6.7	7.0
1099	379	3.3	3.6	3.8	4.1	4.4	4.7	4.9	5.2	5.5	5.8	6.0	6.3	6.6	6.9	7.1	7.4	7.7
1199	429	3.6	3.9	4.2	4.5	4.8	5.1	5.4	5.7	6.0	6.3	6.6	6.9	7.2	7.5	7.8	8.1	8.4
1299	479	3.9	4.2	4.5	4.9	5.2	5.5	5.8	6.2	6.5	6.8	7.1	7.5	7.8	8.1	8.4	8.8	9.1
1399	529	4.2	4.5	4.9	5.2	5.6	5.9	6.3	6.6	7.0	7.3	7.7	8.0	8.4	8.7	9.1	9.4	9.8
1499	579	4.5	4.9	5.2	5.6	6.0	6.4	6.7	7.1	7.5	7.9	8.2	8.6	9.0	9.4	9.7	10.1	10.5
1599	629	4.8	5.2	5.6	6.0	6.4	6.8	7.2	7.6	8.0	8.4	8.8	9.2	9.6	10.0	10.4	10.8	11.2
1699	679	5.1	5.5	5.9	6.4	6.8	7.2	7.6	8.1	8.5	8.9	9.3	9.8	10.2	10.6	11.0	11.5	11.9
1799	729	5.4	5.8	6.3	6.7	7.2	7.6	8.1	8.5	9.0	9.4	9.9	10.3	10.8	11.2	11.7	12.1	12.6
1899	779	5.7	6.2	6.6	7.1	7.6	8.1	8.5	9.0	9.5	10.0	10.4	10.9	11.4	11.9	12.3	12.8	13.3
1999	829	6.0	6.5	7.0	7.5	8.0	8.5	9.0	9.5	10.0	10.5	11.0	11.5	12.0	12.5	13.0	13.5	14.0
2099	879	6.3	6.8	7.3	7.9	8.4	8.9	9.4	10.0	10.5	11.0	11.5	12.1	12.6	13.1	13.6	14.2	14.7
2199	929	6.6	7.1	7.7	8.2	8.8	9.3	9.9	10.4	11.0	11.5	12.1	12.6	13.2	13.7	14.3	14.8	15.4
2299	979	6.9	7.5	8.0	8.6	9.2	9.8	10.3	10.9	11.5	12.1	12.6	13.2	13.8	14.4	14.9	15.5	16.1
2399	1029	7.2	7.8	8.4	9.0	9.6	10.2	10.8	11.4	12.0	12.6	13.2	13.8	14.4	15.0	15.6	16.2	16.8
2499	1079	7.5	8.1	8.7	9.4	10.0	10.6	11.2	11.9	12.5	13.1	13.7	14.4	15.0	15.6	16.2	16.9	17.5

**5mm Glass - Sash Weight Chart**

Window Height Range	Spring Length	Window Width Range																
		600	650	700	750	800	850	900	950	1000	1050	1100	1150	1200	1250	1300	1350	1400
699	179	2.6	2.8	3.1	3.3	3.5	3.7	3.9	4.2	4.4	4.6	4.8	5.0	5.2	5.5	5.7	5.9	6.1
799	229	3.0	3.2	3.5	3.7	4.0	4.2	4.5	4.7	5.0	5.2	5.5	5.7	6.0	6.2	6.5	6.7	7.0
899	279	3.4	3.7	3.9	4.2	4.5	4.8	5.1	5.3	5.6	5.9	6.2	6.5	6.7	7.0	7.3	7.6	7.9
999	329	3.7	4.1	4.4	4.7	5.0	5.3	5.6	5.9	6.2	6.6	6.9	7.2	7.5	7.8	8.1	8.4	8.7
1099	379	4.1	4.5	4.8	5.2	5.5	5.8	6.2	6.5	6.9	7.2	7.6	7.9	8.2	8.6	8.9	9.3	9.6
1199	429	4.5	4.9	5.2	5.6	6.0	6.4	6.7	7.1	7.5	7.9	8.2	8.6	9.0	9.4	9.7	10.1	10.5
1299	479	4.9	5.3	5.7	6.1	6.5	6.9	7.3	7.7	8.1	8.5	8.9	9.3	9.7	10.1	10.6	11.0	11.4
1399	529	5.2	5.7	6.1	6.6	7.0	7.4	7.9	8.3	8.7	9.2	9.6	10.1	10.5	10.9	11.4	11.8	12.2
1499	579	5.6	6.1	6.6	7.0	7.5	8.0	8.4	8.9	9.4	9.8	10.3	10.8	11.2	11.7	12.2	12.6	13.1
1599	629	6.0	6.5	7.0	7.5	8.0	8.5	9.0	9.5	10.0	10.5	11.0	11.5	12.0	12.5	13.0	13.5	14.0
1699	679	6.4	6.9	7.4	8.0	8.5	9.0	9.6	10.1	10.6	11.1	11.7	12.2	12.7	13.3	13.8	14.3	14.9
1799	729	6.7	7.3	7.9	8.4	9.0	9.6	10.1	10.7	11.2	11.8	12.4	12.9	13.5	14.1	14.6	15.2	15.7
1899	779	7.1	7.7	8.3	8.9	9.5	10.1	10.7	11.3	11.9	12.5	13.1	13.6	14.2	14.8	15.4	16.0	16.6
1999	829	7.5	8.1	8.7	9.4	10.0	10.6	11.2	11.9	12.5	13.1	13.7	14.4	15.0	15.6	16.2	16.9	17.5
2099	879	7.9	8.5	9.2	9.8	10.5	11.1	11.8	12.5	13.1	13.8	14.4	15.1	15.7	16.4	17.1	17.7	18.4
2199	929	8.2	8.9	9.6	10.3	11.0	11.7	12.4	13.1	13.7	14.4	15.1	15.8	16.5	17.2	17.9	18.6	19.2
2299	979	8.6	9.3	10.1	10.8	11.5	12.2	12.9	13.7	14.4	15.1	15.8	16.5	17.2	18.0	18.7	19.4	20.1
2399	1029	9.0	9.7	10.5	11.2	12.0	12.7	13.5	14.2	15.0	15.7	16.5	17.2	18.0	18.7	19.5	20.2	21.0
2499	1079	9.4	10.2	10.9	11.7	12.5	13.3	14.1	14.8	15.6	16.4	17.2	18.0	18.7	19.5	20.3	21.1	21.9

# SPRING BALANCE | SASH WEIGHT CHART

**6mm Glass - Sash Weight Chart**

Window Height Range	Spring Length	Window Width Range																
		600	650	700	750	800	850	900	950	1000	1050	1100	1150	1200	1250	1300	1350	1400
699	179	3.3	3.5	3.8	4.1	4.4	4.6	4.9	5.2	5.5	5.7	6.0	6.3	6.5	6.8	7.1	7.4	7.6
799	229	3.7	4.1	4.4	4.7	5.0	5.3	5.6	5.9	6.2	6.5	6.9	7.2	7.5	7.8	8.1	8.4	8.7
899	279	4.2	4.6	4.9	5.3	5.6	6.0	6.3	6.7	7.0	7.4	7.7	8.1	8.4	8.8	9.1	9.5	9.8
999	329	4.7	5.1	5.5	5.8	6.2	6.6	7.0	7.4	7.8	8.2	8.6	9.0	9.4	9.7	10.1	10.5	10.9
1099	379	5.1	5.6	6.0	6.4	6.9	7.3	7.7	8.1	8.6	9.0	9.4	9.9	10.3	10.7	11.1	11.6	12.0
1199	429	5.6	6.1	6.5	7.0	7.5	7.9	8.4	8.9	9.4	9.8	10.3	10.8	11.2	11.7	12.2	12.6	13.1
1299	479	6.1	6.6	7.1	7.6	8.1	8.6	9.1	9.6	10.1	10.6	11.1	11.7	12.2	12.7	13.2	13.7	14.2
1399	529	6.5	7.1	7.6	8.2	8.7	9.3	9.8	10.4	10.9	11.5	12.0	12.5	13.1	13.6	14.2	14.7	15.3
1499	579	7.0	7.6	8.2	8.8	9.4	9.9	10.5	11.1	11.7	12.3	12.9	13.4	14.0	14.6	15.2	15.8	16.4
1599	629	7.5	8.1	8.7	9.4	10.0	10.6	11.2	11.8	12.5	13.1	13.7	14.3	15.0	15.6	16.2	16.8	17.5
1699	679	8.0	8.6	9.3	9.9	10.6	11.3	11.9	12.6	13.3	13.9	14.6	15.2	15.9	16.6	17.2	17.9	18.6
1799	729	8.4	9.1	9.8	10.5	11.2	11.9	12.6	13.3	14.0	14.7	15.4	16.1	16.8	17.5	18.2	18.9	19.6
1899	779	8.9	9.6	10.4	11.1	11.8	12.6	13.3	14.1	14.8	15.6	16.3	17.0	17.8	18.5	19.3	20.0	20.7
1999	829	9.4	10.1	10.9	11.7	12.5	13.3	14.0	14.8	15.6	16.4	17.2	17.9	18.7	19.5	20.3	21.0	21.8
2099	879	9.8	10.6	11.5	12.3	13.1	13.9	14.7	15.6	16.4	17.2	18.0	18.8	19.6	20.5	21.3		
2199	929	10.3	11.1	12.0	12.9	13.7	14.6	15.4	16.3	17.2	18.0	18.9	19.7	20.6	21.4			
2299	979	10.8	11.7	12.6	13.4	14.3	15.2	16.1	17.0	17.9	18.8	19.7	20.6	21.5				
2399	1029	11.2	12.2	13.1	14.0	15.0	15.9	16.8	17.8	18.7	19.6	20.6	21.5					
2499	1079	11.7	12.7	13.6	14.6	15.6	16.6	17.5	18.5	19.5	20.5	21.4						

**8mm Glass - Sash Weight Chart**

Window Height Range	Spring Length	Window Width Range																
		600	650	700	750	800	850	900	950	1000	1050	1100	1150	1200	1250	1300	1350	1400
699	179	4.2	4.5	4.9	5.2	5.6	5.9	6.3	6.6	7.0	7.3	7.7	8.0	8.4	8.7	9.1	9.4	9.8
799	229	4.8	5.2	5.6	6.0	6.4	6.8	7.2	7.6	8.0	8.4	8.8	9.2	9.6	10.0	10.4	10.8	11.2
899	279	5.4	5.8	6.3	6.7	7.2	7.6	8.1	8.5	9.0	9.4	9.9	10.3	10.8	11.2	11.7	12.1	12.6
999	329	6.0	6.5	7.0	7.5	8.0	8.5	9.0	9.5	10.0	10.5	11.0	11.5	12.0	12.5	13.0	13.5	14.0
1099	379	6.6	7.1	7.7	8.2	8.8	9.3	9.9	10.4	11.0	11.5	12.1	12.6	13.2	13.7	14.3	14.8	15.4
1199	429	7.2	7.8	8.4	9.0	9.6	10.2	10.8	11.4	12.0	12.6	13.2	13.5	14.4	15.0	15.6	16.2	16.8
1299	479	7.8	8.4	9.1	9.7	10.4	11.0	11.7	12.3	13.0	13.6	14.3	14.9	15.6	16.2	16.9	17.5	18.2
1399	529	8.4	9.1	9.8	10.5	11.2	11.9	12.6	13.3	14.0	14.7	15.4	16.1	16.8	17.5	18.2	18.9	19.6
1499	579	9.0	9.7	10.5	11.2	12.0	12.7	13.5	14.2	15.0	15.7	16.5	17.2	18.0	18.7	19.5	20.2	21.0
1599	629	9.6	10.4	11.2	12.0	12.8	13.6	14.4	15.2	16.0	16.8	17.6	18.4	19.2	20.0	20.8	21.6	
1699	679	10.2	11.0	11.9	12.7	13.6	14.4	15.3	16.1	17.0	17.8	18.7	19.5	20.4	21.2			
1799	729	10.8	11.7	12.6	13.5	14.4	15.3	16.2	17.1	18.0	18.9	19.8	20.7	21.6				
1899	779	11.4	12.3	13.3	14.2	15.2	16.1	17.1	18.0	19.0	19.9	20.9	21.8					
1999	829	12.0	13.0	14.0	15.0	16.0	17.0	18.0	19.0	20.0	21.0	22.0						
2099	879	12.6	13.6	14.7	15.7	16.8	17.8	18.9	19.9	21.0								
2199	929	13.2	14.3	15.4	16.5	17.6	18.7	19.8	20.9	22.0								
2299	979	13.8	14.9	16.1	17.2	18.4	19.5	20.7	21.8									
2399	1029	14.4	15.6	16.8	18.0	19.2	20.4	21.6										
2499	1079	15.0	16.2	17.5	18.7	20.0	21.2											

**10mm Glass - Sash Weight Chart**

Window Height Range	Spring Length	Window Width Range																
		600	650	700	750	800	850	900	950	1000	1050	1100	1150	1200	1250	1300	1350	1400
699	179	5.2	5.7	6.1	6.6	7.0	7.4	7.9	8.3	8.7	9.2	9.6	10.0	10.5	10.9	11.4	11.8	12.2
799	229	6.0	6.5	7.0	7.5	8.0	8.5	9.0	9.5	10.0	10.5	11.0	11.5	12.0	12.5	13.0	13.5	14.0
899	279	6.7	7.3	7.9	8.4	9.0	9.6	10.1	10.7	11.2	11.8	12.4	12.9	13.5	14.0	14.6	15.2	15.7
999	329	7.5	8.1	8.7	9.4	10.0	10.6	11.2	11.9	12.5	13.1	13.7	14.4	15.0	15.6	16.2	16.9	17.5
1099	379	8.2	8.9	9.6	10.3	11.0	11.7	12.4	13.1	13.7	14.4	15.1	15.8	16.5	17.2	17.9	18.5	19.2
1199	429	9.0	9.7	10.5	11.2	12.0	12.7	13.5	14.2	15.0	15.7	16.5	17.2	18.0	18.7	19.5	20.2	21.0
1299	479	9.7	10.6	11.4	12.2	13.0	13.8	14.6	15.4	16.2	17.0	17.9	18.7	19.5	20.3	21.1	21.9	
1399	529	10.5	11.4	12.2	13.1	14.2	14.9	15.7	16.6	17.5	18.4	19.2	20.1	21.0				
1499	579	11.2	12.2	13.1	14.1	15.0	15.9	16.9	17.8	18.7	19.7	20.6	21.5					
1599	629	12.0	13.0	14.0	15.0	16.0	17.0	18.0	19.0	20.0	21.0	22.0						
1699	679	12.7	13.8	14.9	15.9	17.0	18.1	19.1	20.2	21.2								
1799	729	13.5	14.6	15.7	16.9	18.0	19.1	20.2	21.4									
1899	779	14.2	15.4	16.6	17.8	19.0	20.2	21.4										
1999	829	15.0	16.2	17.5	18.7	20.0	21.2											
2099	879	15.7	17.1	18.4	18.4	19.7	21.0											
2199	929	16.5	17.9	19.2	20.6	22.0												
2299	979	17.2	18.7	20.1	21.6													
2399	1029	18.0	19.5	21.0														
2499	1079	18.7	20.3	21.9														



# SPRING BALANCE | ORDERING CHART

Item No:	Window Height Range (mm)	Colour	Alspec Codes	Alspec Description
1	699	RED	1337000	Spring Balance -Full Set-Red Spring-Suit -600 - 699
2	799	RED	1337001	Spring Balance -Full Set-Red Spring-Suit -700 - 799
3	899	RED	1337002	Spring Balance -Full Set-Red Spring-Suit -800 - 899
4	999	RED	1337003	Spring Balance -Full Set-Red Spring-Suit -900 - 999
5	1099	RED	1337004	Spring Balance -Full Set-Red Spring-Suit -1000 - 1099
6	1199	RED	1337005	Spring Balance -Full Set-Red Spring-Suit -1100 - 1199
7	699	YELLOW	1337006	Spring Balance -Full Set-Yellow Spring-Suit -600 - 699
8	799	YELLOW	1337007	Spring Balance -Full Set-Yellow Spring-Suit -700 - 799
9	899	YELLOW	1337008	Spring Balance -Full Set-Yellow Spring-Suit -800 - 899
10	999	YELLOW	1337009	Spring Balance -Full Set-Yellow Spring-Suit -900 - 999
11	1099	YELLOW	1337010	Spring Balance -Full Set-Yellow Spring-Suit -1000 - 1099
12	1199	YELLOW	1337011	Spring Balance -Full Set-Yellow Spring-Suit -1100 - 1199
13	1299	YELLOW	1337012	Spring Balance -Full Set-Yellow Spring-Suit -1200 - 1299
14	1399	YELLOW	1337013	Spring Balance -Full Set-Yellow Spring-Suit -1300 - 1399
15	1499	YELLOW	1337014	Spring Balance -Full Set-Yellow Spring-Suit -1400 - 1499
16	1599	YELLOW	1337015	Spring Balance -Full Set-Yellow Spring-Suit -1500 - 1599
17	1699	YELLOW	1337016	Spring Balance -Full Set-Yellow Spring-Suit -1600 - 1699
18	1799	YELLOW	1337017	Spring Balance -Full Set-Yellow Spring-Suit -1700 - 1799
19	699	WHITE	1337018	Spring Balance -Full Set-White Spring-Suit -600 - 699
20	799	WHITE	1337019	Spring Balance -Full Set-White Spring-Suit -700 - 799
21	899	WHITE	1337020	Spring Balance -Full Set-White Spring-Suit -800 - 899
22	999	WHITE	1337021	Spring Balance -Full Set-White Spring-Suit -900 - 999
23	1099	WHITE	1337022	Spring Balance -Full Set-White Spring-Suit -1000 - 1099
24	1199	WHITE	1337023	Spring Balance -Full Set-White Spring-Suit -1100 - 1199
25	1299	WHITE	1337024	Spring Balance -Full Set-White Spring-Suit -1200 - 1299
26	1399	WHITE	1337025	Spring Balance -Full Set-White Spring-Suit -1300 - 1399
27	1499	WHITE	1337026	Spring Balance -Full Set-White Spring-Suit -1400 - 1499
28	1599	WHITE	1337027	Spring Balance -Full Set-White Spring-Suit -1500 - 1599
29	1699	WHITE	1337028	Spring Balance -Full Set-White Spring-Suit -1600 - 1699
30	1799	WHITE	1337029	Spring Balance -Full Set-White Spring-Suit -1700 - 1799
31	1899	WHITE	1337030	Spring Balance -Full Set-White Spring-Suit -1800 - 1899
32	1999	WHITE	1337031	Spring Balance -Full Set-White Spring-Suit -1900 - 1999
33	2099	WHITE	1337032	Spring Balance -Full Set-White Spring-Suit -2000 - 2099
34	2199	WHITE	1337033	Spring Balance -Full Set-White Spring-Suit -2100 - 2199
35	2299	WHITE	1337034	Spring Balance -Full Set-White Spring-Suit -2200 - 2299
36	2399	WHITE	1337035	Spring Balance -Full Set-White Spring-Suit -2300 - 2399
37	2499	WHITE	1337036	Spring Balance -Full Set-White Spring-Suit -2400 - 2499
38	699	BLUE	1337037	Spring Balance -Full Set-Blue Spring-Suit -600 - 699
39	799	BLUE	1337038	Spring Balance -Full Set-Blue Spring-Suit -700 - 799
40	899	BLUE	1337039	Spring Balance -Full Set-Blue Spring-Suit -800 - 899
41	999	BLUE	1337040	Spring Balance -Full Set-Blue Spring-Suit -900 - 999
42	1099	BLUE	1337041	Spring Balance -Full Set-Blue Spring-Suit -1000 - 1099
43	1199	BLUE	1337042	Spring Balance -Full Set-Blue Spring-Suit -1100 - 1199
44	1299	BLUE	1337043	Spring Balance -Full Set-Blue Spring-Suit -1200 - 1299
45	1399	BLUE	1337044	Spring Balance -Full Set-Blue Spring-Suit -1300 - 1399
46	1499	BLUE	1337045	Spring Balance -Full Set-Blue Spring-Suit -1400 - 1499
47	1599	BLUE	1337046	Spring Balance -Full Set-Blue Spring-Suit -1500 - 1599
48	1699	BLUE	1337047	Spring Balance -Full Set-Blue Spring-Suit -1600 - 1699
49	1799	BLUE	1337048	Spring Balance -Full Set-Blue Spring-Suit -1700 - 1799
50	1899	BLUE	1337049	Spring Balance -Full Set-Blue Spring-Suit -1800 - 1899
51	1999	BLUE	1337050	Spring Balance -Full Set-Blue Spring-Suit -1900 - 1999
52	2099	BLUE	1337051	Spring Balance -Full Set-Blue Spring-Suit -2000 - 2099
53	2199	BLUE	1337052	Spring Balance -Full Set-Blue Spring-Suit -2100 - 2199
54	2299	BLUE	1337053	Spring Balance -Full Set-Blue Spring-Suit -2200 - 2299

# SPRING BALANCE | ORDERING CHART

Item No:	Window Height Range (mm)	Colour	Alspec Codes	Alspec Description
55	2399	BLUE	1337054	Spring Balance -Full Set-Blue Spring-Suit -2300 - 2399
56	2499	BLUE	1337055	Spring Balance -Full Set-Blue Spring-Suit -2400 - 2499
57	699	GREEN	1337056	Spring Balance -Full Set-Green Spring-Suit -600 - 699
58	799	GREEN	1337057	Spring Balance -Full Set-Green Spring-Suit -700 - 799
59	899	GREEN	1337058	Spring Balance -Full Set-Green Spring-Suit -800 - 899
60	999	GREEN	1337059	Spring Balance -Full Set-Green Spring-Suit -900 - 999
61	1099	GREEN	1337060	Spring Balance -Full Set-Green Spring-Suit -1000 - 1099
62	1199	GREEN	1337061	Spring Balance -Full Set-Green Spring-Suit -1100 - 1199
63	1299	GREEN	1337062	Spring Balance -Full Set-Green Spring-Suit -1200 - 1299
64	1399	GREEN	1337063	Spring Balance -Full Set-Green Spring-Suit -1300 - 1399
65	1499	GREEN	1337064	Spring Balance -Full Set-Green Spring-Suit -1400 - 1499
66	1599	GREEN	1337065	Spring Balance -Full Set-Green Spring-Suit -1500 - 1599
67	1699	GREEN	1337066	Spring Balance -Full Set-Green Spring-Suit -1600 - 1699
68	1799	GREEN	1337067	Spring Balance -Full Set-Green Spring-Suit -1700 - 1799
69	1899	GREEN	1337068	Spring Balance -Full Set-Green Spring-Suit -1800 - 1899
70	1999	GREEN	1337069	Spring Balance -Full Set-Green Spring-Suit -1900 - 1999
71	2099	GREEN	1337070	Spring Balance -Full Set-Green Spring-Suit -2000 - 2099
72	2199	GREEN	1337071	Spring Balance -Full Set-Green Spring-Suit -2100 - 2199
73	2299	GREEN	1337072	Spring Balance -Full Set-Green Spring-Suit -2200 - 2299
74	2399	GREEN	1337073	Spring Balance -Full Set-Green Spring-Suit -2300 - 2399
75	2499	GREEN	1337074	Spring Balance -Full Set-Green Spring-Suit -2400 - 2499
76	899	BLACK	1337075	Spring Balance -Full Set-Black Spring-Suit -800 - 899
77	999	BLACK	1337076	Spring Balance -Full Set-Black Spring-Suit -900 - 999
78	1099	BLACK	1337077	Spring Balance -Full Set-Black Spring-Suit -1000 - 1099
79	1199	BLACK	1337078	Spring Balance -Full Set-Black Spring-Suit -1100 - 1199
80	1299	BLACK	1337079	Spring Balance -Full Set-Black Spring-Suit -1200 - 1299
81	1399	BLACK	1337080	Spring Balance -Full Set-Black Spring-Suit -1300 - 1399
82	1499	BLACK	1337081	Spring Balance -Full Set-Black Spring-Suit -1400 - 1499
83	1599	BLACK	1337082	Spring Balance -Full Set-Black Spring-Suit -1500 - 1599
84	1699	BLACK	1337083	Spring Balance -Full Set-Black Spring-Suit -1600 - 1699
85	1799	BLACK	1337084	Spring Balance -Full Set-Black Spring-Suit -1700 - 1799
86	1899	BLACK	1337085	Spring Balance -Full Set-Black Spring-Suit -1800 - 1899
87	1999	BLACK	1337086	Spring Balance -Full Set-Black Spring-Suit -1900 - 1999
88	2099	BLACK	1337087	Spring Balance -Full Set-Black Spring-Suit -2000 - 2099
89	2199	BLACK	1337088	Spring Balance -Full Set-Black Spring-Suit -2100 - 2199
90	2299	BLACK	1337089	Spring Balance -Full Set-Black Spring-Suit -2200 - 2299
91	2399	BLACK	1337090	Spring Balance -Full Set-Black Spring-Suit -2300 - 2399
92	2499	BLACK	1337091	Spring Balance -Full Set-Black Spring-Suit -2400 - 2499
93	1099	GREY	1337092	Spring Balance -Full Set-Grey Spring-Suit -1000 - 1099
94	1199	GREY	1337093	Spring Balance -Full Set-Grey Spring-Suit -1100 - 1199
95	1299	GREY	1337094	Spring Balance -Full Set-Grey Spring-Suit -1200 - 1299
96	1399	GREY	1337095	Spring Balance -Full Set-Grey Spring-Suit -1300 - 1399
97	1499	GREY	1337096	Spring Balance -Full Set-Grey Spring-Suit -1400 - 1499
98	1599	GREY	1337097	Spring Balance -Full Set-Grey Spring-Suit -1500 - 1599
99	1699	GREY	1337098	Spring Balance -Full Set-Grey Spring-Suit -1600 - 1699
100	1799	GREY	1337099	Spring Balance -Full Set-Grey Spring-Suit -1700 - 1799
101	1899	GREY	1337100	Spring Balance -Full Set-Grey Spring-Suit -1800 - 1899
102	1999	GREY	1337101	Spring Balance -Full Set-Grey Spring-Suit -1900 - 1999
103	2099	GREY	1337102	Spring Balance -Full Set-Grey Spring-Suit -2000 - 2099
104	2199	GREY	1337103	Spring Balance -Full Set-Grey Spring-Suit -2100 - 2199
105	2299	GREY	1337104	Spring Balance -Full Set-Grey Spring-Suit -2200 - 2299
106	2399	GREY	1337105	Spring Balance -Full Set-Grey Spring-Suit -2300 - 2399
107	2499	GREY	1337106	Spring Balance -Full Set-Grey Spring-Suit -2400 - 2499

# SPRING BALANCE | ORDERING CHART

	0-2.75kg	2.75-4.25kg	4.25-6kg	6-10kg	10-14kg	14-18kg	18-22kg
Window Height Range	Red	Yellow	White	Blue	Green	Black	Grey
699	1337000	1337006	1337018	1337037	1337056		
799	1337001	1337007	1337019	1337038	1337057		
899	1337002	1337008	1337020	1337039	1337058	1337075	
999	1337003	1337009	1337021	1337040	1337059	1337076	
1099	1337004	1337010	1337022	1337041	1337060	1337077	1337092
1199	1337005	1337011	1337023	1337042	1337061	1337078	1337093
1299		1337012	1337024	1337043	1337062	1337079	1337094
1399		1337013	1337025	1337044	1337063	1337080	1337095
1499		1337014	1337026	1337045	1337064	1337081	1337096
1599		1337015	1337027	1337046	1337065	1337082	1337097
1699		1337016	1337028	1337047	1337066	1337083	1337098
1799		1337017	1337029	1337048	1337067	1337084	1337099
1899			1337030	1337049	1337068	1337085	1337100
1999			1337031	1337050	1337069	1337086	1337101
2099			1337032	1337051	1337070	1337087	1337102
2199			1337033	1337052	1337071	1337088	1337103
2299			1337034	1337053	1337072	1337089	1337104
2399			1337035	1337054	1337073	1337090	1337105
2499			1337036	1337055	1337074	1337091	1337106

Note: Each selected spring part number represents a complete set for a full double hung system inclusive of friction feet and stops.



### **SYDNEY**

3 Alspec Place  
Eastern Creek NSW 2766  
Phone: 02 9834 9500  
sydney@alspec.com.au

### **MELBOURNE**

26-40 Pound Road West  
Dandenong South VIC 3175  
Phone: 03 8787 6333  
melbourne@alspec.com.au

### **BRISBANE**

8-22 Jutland Street  
Loganlea QLD 4131  
Phone: 07 3089 4900  
brisbane@alspec.com.au

### **ADELAIDE**

1 Pope Court  
Beverly SA 5009  
Phone: 08 8150 6960  
adelaide@alspec.com.au

### **DARWIN**

25 Bishop Street  
Woolner NT 0820  
Phone: 08 8941 7300  
darwin@alspec.com.au

### **CANBERRA**

28 Sheppard Street  
Hume ACT 2620  
Phone: 02 5134 3300  
canberra@alspec.com.au

### **PERTH**

30 Holder Way  
Malaga WA 6090  
Phone: 08 9209 9100  
perth@alspec.com.au

### **NEWCASTLE**

95 Griffiths Road  
Lambton NSW 2299  
Phone: 02 4952 9111  
newcastle@alspec.com.au

### **BRENDALE**

24 Doherty Street  
Brendale QLD 4500  
Phone: 07 3205 9911  
brendale@alspec.com.au

### **SUNSHINE COAST**

4-8 Empire Crescent  
Chevallum QLD 4555  
Phone: 07 5437 6123  
sunshinecoast@alspec.com.au

### **TOWNSVILLE**

21 Carroll Street  
Mount Louisa QLD 4814  
Phone: 07 3089 4965  
townsville@alspec.com.au

### **CAIRNS**

34-38 Hargreaves Street  
Edmonton QLD 4869  
Phone: 07 4037 6666  
cairns@alspec.com.au

### **BUNDABERG**

17 Production Street  
Svensson Heights QLD 4670  
Phone: 07 4111 2000  
bundaberg@alspec.com.au

### **CARRUM DOWNS**

99 Frankston Gardens Drive  
Carrum Downs VIC 3201  
Phone: 03 9775 1223  
carrumdowns@alspec.com.au

1300 ALSPEC (1300 257 732)  
alspec.com.au