

The Triser Hardware range finds its inspiration in the striking square, sharp edges of the iconic 12 Apostles along the Great Ocean Road. Just as these natural marvels stand proudly against the elements, our hardware range embodies their strength and beauty, creating a lasting impression wherever they are installed.

***Designed in Australia.
Inspired by Australia.***



TRISER SLIDING DOOR MORTICE LOCK

Triser[®]
HARDWARE BY ALSPEC

alspec[®]
EVERYTHING ALUMINIUM
& HARDWARE



Overview:

The Triser Sliding Door Mortice Lock has been engineered with a low-profile design and incorporates anti-lift and anti-lock features, enhancing its durability and lifespan. The anti-lock feature protects the strike and locking mechanism from getting damaged. These locks are compatible with doors with a minimum thickness of 33mm and a maximum thickness of 45mm. The brass twin locking prongs are operated by the snib located within the flush handle. The key cylinder does not drive the lock bolt itself but dead bolts the lock after the snib has been thrown. Its clean, minimalist look is achieved by its flush mounting tabs and concealed handle furniture.

Features:

- Integrated anti-lock pin to prevent damage to the locking brass bolt mechanism and strike in case of accidental door shut.
- Flush furniture design showcases its clean, minimalist design.
- Specially designed furniture fixing prongs hold the furniture plates tightly against the aluminium section.
- The brass locking bolt has twin locking prongs which secure door by inbuilt anti-lift feature.
- The lock body is available in 33mm and 55mm backset.
- 20mm narrow-width face plate.
- A 25mm wide retro face plate adaptor available as a spare part. (See Page 2)
- Alspec- designed Allen key included in each door kit to assist in furniture installation.

Installation Features:

- Triser Sliding Door Mortice Locks are suitable for door lock stiles with a thickness ranging from 33mm to 45mm.
- Suits both left-hand and right-hand sliding doors.
- The lock kits come with flush mounting tabs and various keeper options.
- Fitting instructions can be downloaded from www.alspec.com.au or QR code.

Finishes:

- Available in black, white, and satin chrome.

Keying:

- Accepts Alspec euro profile fixed cam cylinders, half and double.
- Can be keyed alike.
- Cylinders are not included in the kits. (See Page 8 for options)



Scan for Fitting Instructions

AL33 KITS		
CODE	DESCRIPTION	FINISH
1387009	TRISER AL33 KIT1 SNIB AND KEY BOTH SIDES	BLACK
1387010	TRISER AL33 KIT1 SNIB AND KEY BOTH SIDES	WHITE
1387011	TRISER AL33 KIT1 SNIB AND KEY BOTH SIDES	SATIN CHROME
1387012	TRISER AL33 KIT2 SNIB & KEY INSIDE PLAIN HANDLE OUTSIDE	BLACK
1387013	TRISER AL33 KIT2 SNIB & KEY INSIDE PLAIN HANDLE OUTSIDE	WHITE
1387014	TRISER AL33 KIT2 SNIB & KEY INSIDE PLAIN HANDLE OUTSIDE	SATIN CHROME
1387015	TRISER AL33 KIT3 SNIB & KEY INSIDE NOTHING OUTSIDE	BLACK
1387016	TRISER AL33 KIT3 SNIB & KEY INSIDE NOTHING OUTSIDE	WHITE
1387017	TRISER AL33 KIT3 SNIB & KEY INSIDE NOTHING OUTSIDE	SATIN CHROME

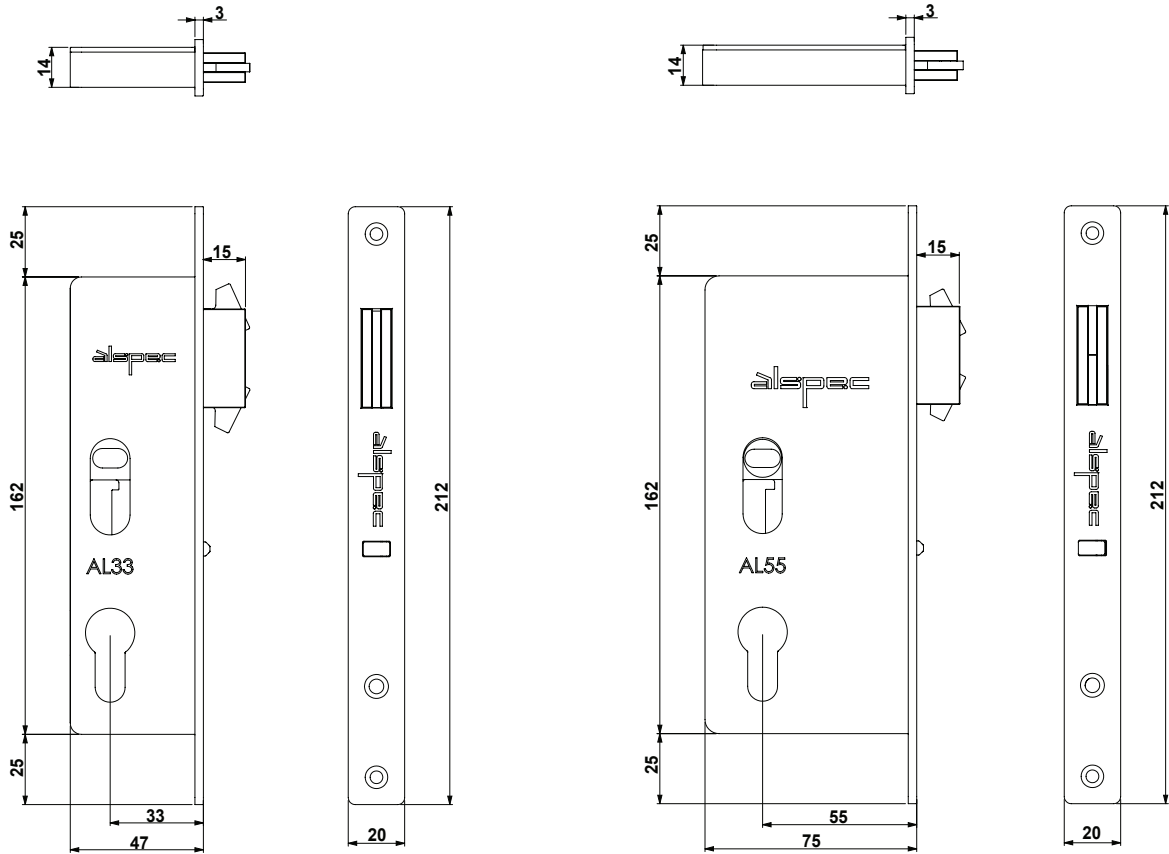
AL55 KITS		
CODE	DESCRIPTION	FINISH
1387000	TRISER AL55 KIT1 SNIB AND KEY BOTH SIDES	BLACK
1387001	TRISER AL55 KIT1 SNIB AND KEY BOTH SIDES	WHITE
1387002	TRISER AL55 KIT1 SNIB AND KEY BOTH SIDES	SATIN CHROME
1387003	TRISER AL55 KIT2 SNIB & KEY INSIDE PLAIN HANDLE OUTSIDE	BLACK
1387004	TRISER AL55 KIT2 SNIB & KEY INSIDE PLAIN HANDLE OUTSIDE	WHITE
1387005	TRISER AL55 KIT2 SNIB & KEY INSIDE PLAIN HANDLE OUTSIDE	SATIN CHROME
1387006	TRISER AL55 KIT3 SNIB & KEY INSIDE NOTHING OUTSIDE	BLACK
1387007	TRISER AL55 KIT3 SNIB & KEY INSIDE NOTHING OUTSIDE	WHITE
1387008	TRISER AL55 KIT3 SNIB & KEY INSIDE NOTHING OUTSIDE	SATIN CHROME

AL33 SERIES

Backset – 33mm

AL55 SERIES

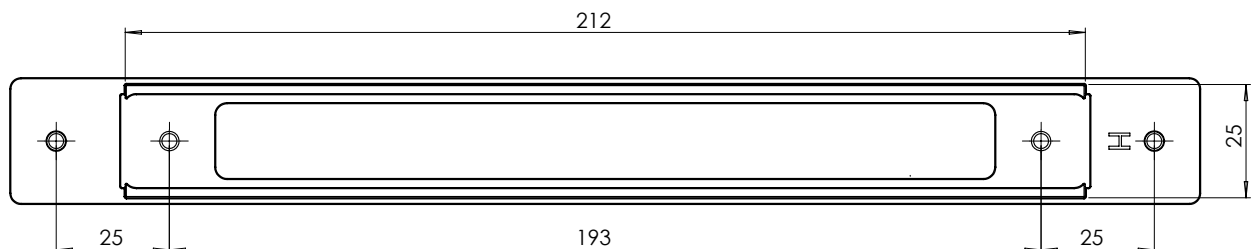
Backset – 55mm



The Triser Sliding Door Mortice Lock set series allows several snib and key lock functions for sliding doors. Sliding the snib on either side operates the bolt unless a cylinder is engaged.

A cylinder will lock the snib; the key does not operate the bolt.

Retrofit faceplate available to replace 25mm wide faceplate lock option.



CODE	DESCRIPTION	FINISH
1313039	RETROFIT FACEPLATE ADAPTOR	BLACK
1313040	RETROFIT FACEPLATE ADAPTOR	WHITE
1313041	RETROFIT FACEPLATE ADAPTOR	SATIN CHROME

KITS FOR PROGLIDE NARROW LOCKSTILES

AL33 KIT1

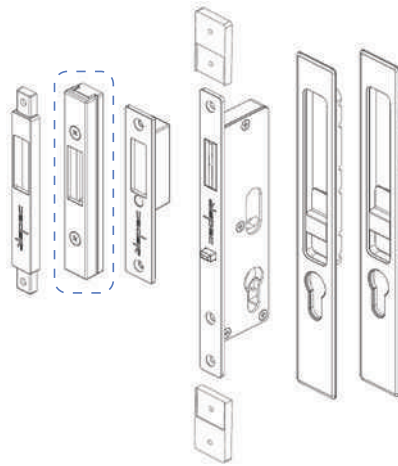
KEY + SNIB BOTH SIDE

CODE	DESCRIPTION	FINISH
1387009	AL33 KIT1 BLK	BLACK
1387010	AL33 KIT1 WHT	WHITE
1387011	AL33 KIT1 SC	SATIN CHROME

The model AL33 denotes key + turn both sides. This model would only be used for an entry door as key is needed with every use.

Key Cylinders are additional. Add Alspec 42mm Fix Cam Double Cylinder, see page 8.

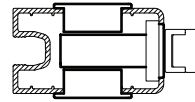
Note: Use Alspec adjustable keeper.



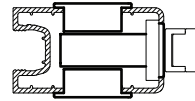
The sections below can be used on these AL33 kits.

Lockstiles

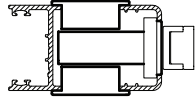
AD795



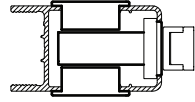
AD922



AD862



AD704



AL33 KIT2

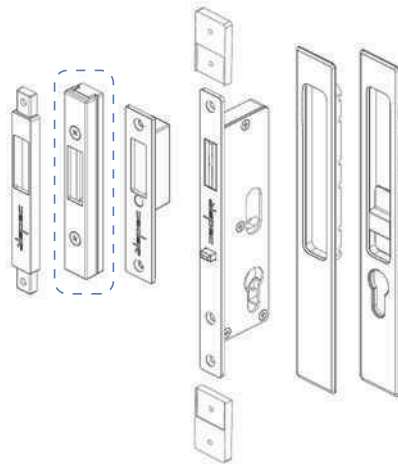
KEY + SNIB INSIDE ONLY
PLAIN FLUSH PULL TO OUTSIDE

CODE	DESCRIPTION	FINISH
1387012	AL33 KIT2 BLK	BLACK
1387013	AL33 KIT2 WHT	WHITE
1387014	AL33 KIT2 SC	SATIN CHROME

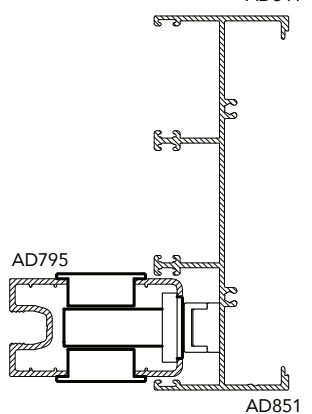
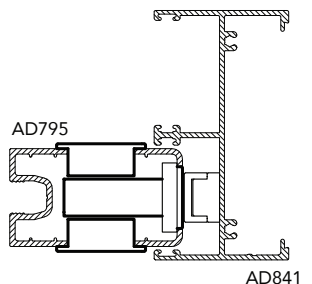
The model AL33 denotes key + turn inside only with plain pull to outside. Can be snib locked from inside and dead-bolted using key when needed.

Key Cylinders are additional. Add Alspec 32mm Fix Cam Half Cylinder, see page 8.

Note: Use Alspec adjustable keeper.



Jambs



AL33 KIT3

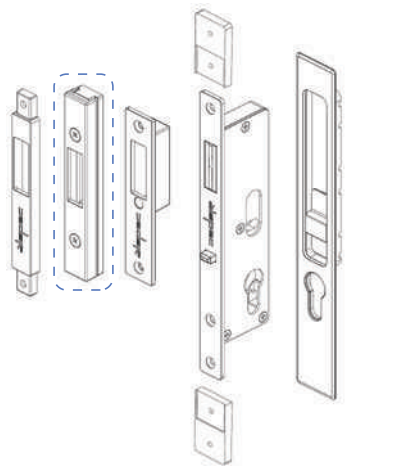
KEY + SNIB INSIDE ONLY, NOTHING TO
OUTSIDE. GREAT FOR WINDOWS OR
JULIETTE BALCONIES.

CODE	DESCRIPTION	FINISH
1387015	AL33 KIT3 BLK	BLACK
1387016	AL33 KIT3 WHT	WHITE
1387017	AL33 KIT3 SC	SATIN CHROME

The model AL33 denotes key + turn inside only, nothing to the outside. Can be snib locked from the inside and dead-bolted using key when needed.

Key Cylinders are additional. Add Alspec 32mm Fix Cam Half Cylinder, see page 8.

Note: Use Alspec adjustable keeper.



KITS FOR PROGLIDE WIDE LOCKSTILES

AL55 KIT1

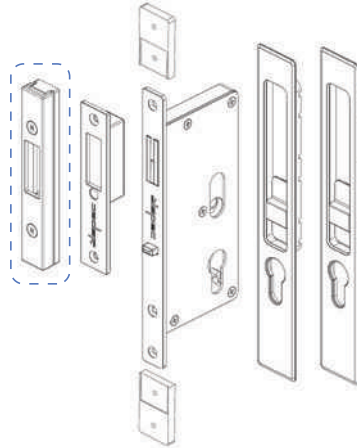
KEY + SNIB BOTH SIDE

CODE	DESCRIPTION	FINISH
1387000	AL55 KIT1 BLK	BLACK
1387001	AL55 KIT1 WHT	WHITE
1387002	AL55 KIT1 SC	SATIN CHROME

The model AL55 denotes key + turn both sides. This model would only be used for an entry door as key is needed with every use.

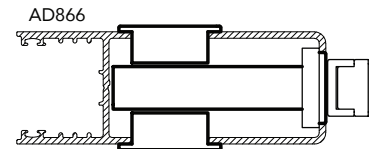
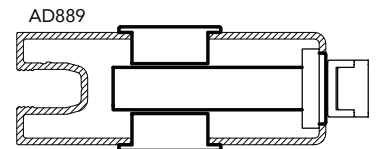
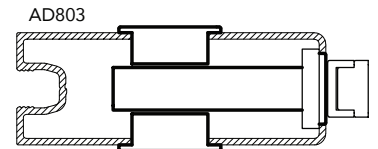
Key Cylinders are additional. Add Alspec 42mm Fix Cam Double Cylinder, see page 8.

Note: Use Alspec adjustable keeper.



The sections below can be used on these AL55 kits.

Wide Lockstiles



AL55 KIT2

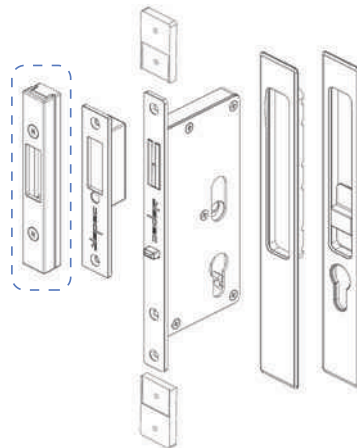
KEY + SNIB INSIDE ONLY
PLAIN FLUSH PULL TO OUTSIDE

CODE	DESCRIPTION	FINISH
1387003	AL55 KIT2 BLK	BLACK
1387004	AL55 KIT2 WHT	WHITE
1387005	AL55 KIT2 SC	SATIN CHROME

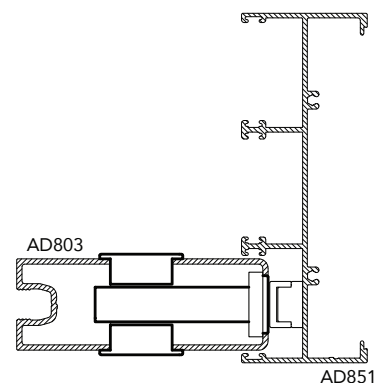
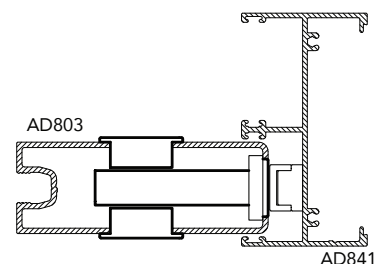
The model AL55 denotes key + turn inside only with plain pull to outside. Can be snib locked from inside and dead-bolted using key when needed.

Key Cylinders are additional. Add Alspec 32mm Fix Cam Half Cylinder, see page 8.

Note: Use Alspec adjustable keeper.



Jamb



AL55 KIT3

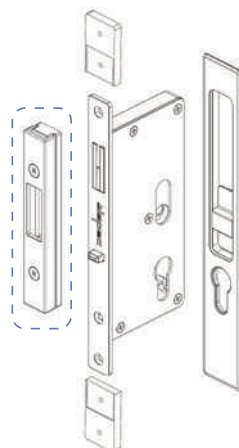
KEY + SNIB INSIDE ONLY, NOTHING TO OUTSIDE. GREAT FOR WINDOWS OR JULIETTE BALCONIES.

CODE	DESCRIPTION	FINISH
1387006	AL55 KIT3 BLK	BLACK
1387007	AL55 KIT3 WHT	WHITE
1387008	AL55 KIT3 SC	SATIN CHROME

The model AL55 denotes key + turn inside only, nothing to the outside. Can be snib locked from the inside and dead-bolted using key when needed.

Key Cylinders are additional. Add Alspec 32mm Fix Cam Half Cylinder, see page 8.

Note: Use Alspec adjustable keeper.



KITS FOR PROGLIDE BI-PARTING MEETING AND CORNER STILES

AL33 KIT1

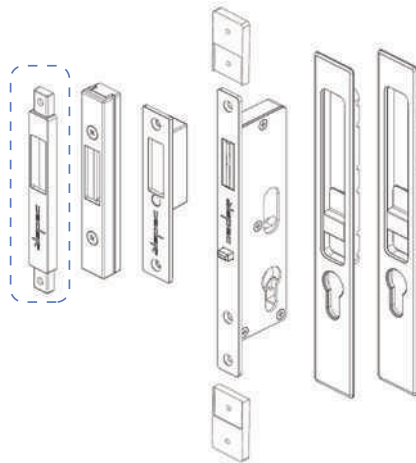
KEY + SNIB BOTH SIDE

CODE	DESCRIPTION	FINISH
1387009	AL33 KIT1 BLK	BLACK
1387010	AL33 KIT1 WHT	WHITE
1387011	AL33 KIT1 SC	SATIN CHROME

The model AL33 KIT1 denotes key + turn both sides. This model would only be used for an entry door as key is needed with every use.

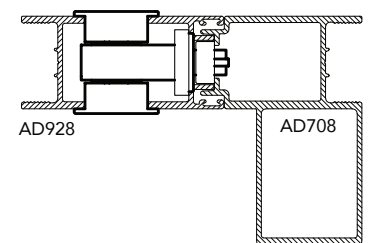
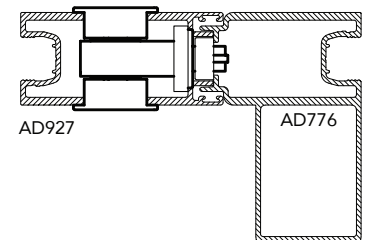
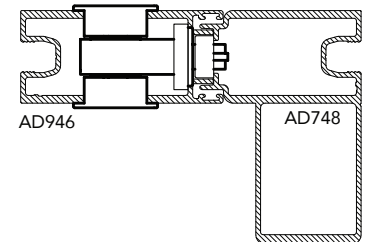
Key Cylinders are additional. Add Alspec 42mm Fix Cam Double Cylinder, see page 8.

Note: Use Alspec bi-parting keeper.



The sections below can be used on these AL33 kits.

Meeting Stiles



AL33 KIT2

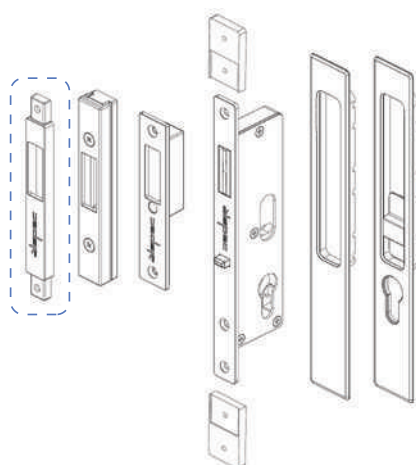
KEY + SNIB INSIDE ONLY
PLAIN FLUSH PULL TO OUTSIDE

CODE	DESCRIPTION	FINISH
1387012	AL33 KIT2 BLK	BLACK
1387013	AL33 KIT2 WHT	WHITE
1387014	AL33 KIT2 SC	SATIN CHROME

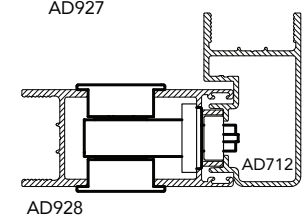
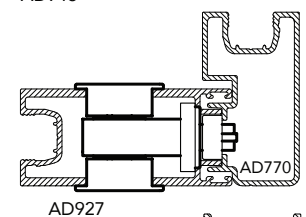
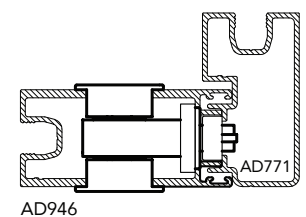
The model AL33 KIT2 denotes key + turn inside only with plain pull to outside. Can be snib locked from inside and dead-bolted using key when needed.

Key Cylinders are additional. Add Alspec 32mm Fix Cam Half Cylinder, see page 8.

Note: Use Alspec bi-parting keeper.



Corner Stiles



AL33 KIT3

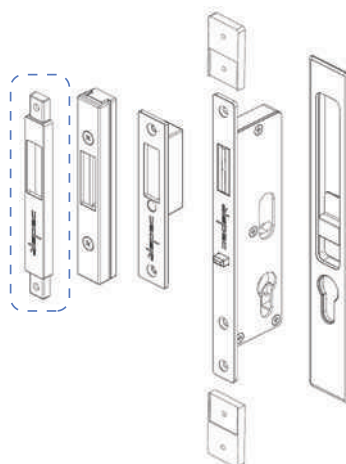
KEY + SNIB INSIDE ONLY, NOTHING TO OUTSIDE. GREAT FOR WINDOWS OR JULIETTE BALCONIES.

CODE	DESCRIPTION	FINISH
1387015	AL33 KIT3 BLK	BLACK
1387016	AL33 KIT3 WHT	WHITE
1387017	AL33 KIT3 SC	SATIN CHROME

The model AL33 denotes key + turn inside only, nothing to the outside. Can be snib locked from the inside and dead-bolted using key when needed.

Key Cylinders are additional. Add Alspec 32mm Fix Cam Half Cylinder, see page 8.

Note: Use Alspec bi-parting keeper.



KITS FOR HAWKESBURY TOP HUNG & SWAN EVO SLIDING PANEL

AL33 KIT1

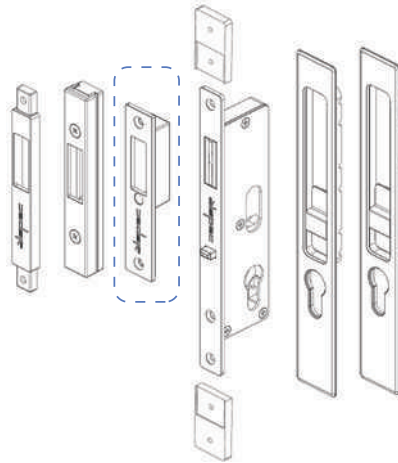
KEY + SNIB BOTH SIDE

CODE	DESCRIPTION	FINISH
1387009	AL33 KIT1 BLK	BLACK
1387010	AL33 KIT1 WHT	WHITE
1387011	AL33 KIT1 SC	SATIN CHROME

The model AL33 KIT1 denotes key + turn both sides. This model would only be used for an entry door as key is needed with every use.

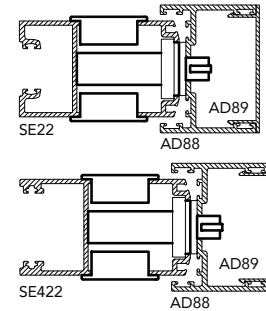
Key Cylinders are additional. Add Alspec 48mm Fix Cam Double Cylinder, see page 8.

Note: Use Alspec flat keeper.



The sections below can be used on these AL33 kits.

Lockstiles



AL33 KIT2

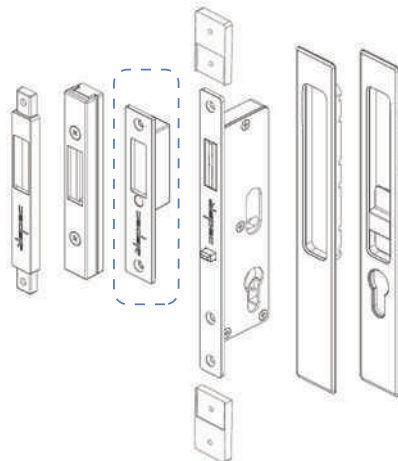
KEY + SNIB INSIDE ONLY
PLAIN FLUSH PULL TO OUTSIDE

CODE	DESCRIPTION	FINISH
1387012	AL33 KIT2 BLK	BLACK
1387013	AL33 KIT2 WHT	WHITE
1387014	AL33 KIT2 SC	SATIN CHROME

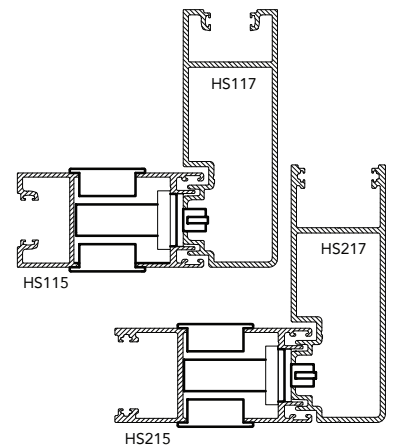
The model AL33 KIT2 denotes key + turn inside only with plain pull to outside. Can be snib locked from inside and dead-bolted using key when needed.

Key Cylinders are additional. Add Alspec 36mm Fix Cam Half Cylinder, see page 8.

Note: Use Alspec flat keeper.



Corner Stiles



AL33 KIT3

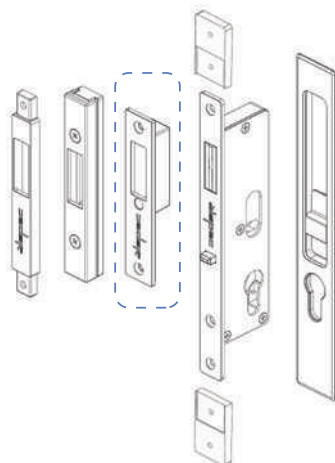
KEY + SNIB INSIDE ONLY, NOTHING TO OUTSIDE. GREAT FOR WINDOWS OR JULIETTE BALCONIES.

CODE	DESCRIPTION	FINISH
1387015	AL33 KIT3 BLK	BLACK
1387016	AL33 KIT3 WHT	WHITE
1387017	AL33 KIT3 SC	SATIN CHROME

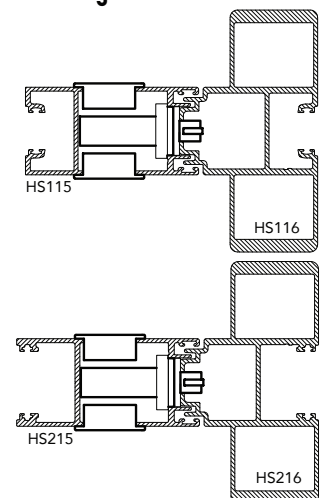
The model AL33 KIT3 denotes key + turn inside only, nothing to the outside. Can be snib locked from the inside and dead-bolted using key when needed.

Key Cylinders are additional. Add Alspec 36mm Fix Cam Half Cylinder, see page 8.

Note: Use Alspec flat keeper.



Meeting Stiles



KITS FOR HAWKESBURY TOP HUNG & SWAN EVO SLIDING PANEL

AL55 KIT1

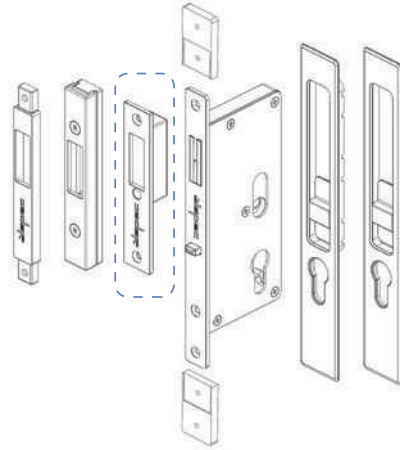
KEY + SNIB BOTH SIDE

CODE	DESCRIPTION	FINISH
1387000	AL55 KIT1 BLK	BLACK
1387001	AL55 KIT1 WHT	WHITE
1387002	AL55 KIT1 SC	SATIN CHROME

The model AL55 KIT1 denotes key + turn both sides. This model would only be used for an entry door as key is needed with every use.

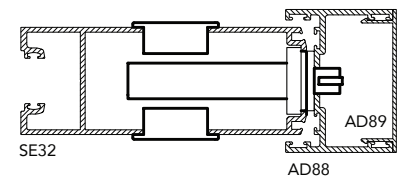
Key Cylinders are additional. Add Alspec 48mm Fix Cam Double Cylinder, see page 8.

Note: Use Alspec flat keeper.



The sections below can be used on these AL55 kits.

Wide Lockstiles



AL55 KIT2

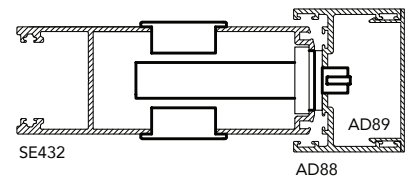
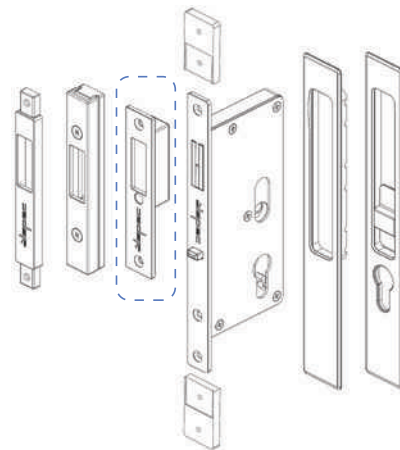
KEY + SNIB INSIDE ONLY
PLAIN FLUSH PULL TO OUTSIDE

CODE	DESCRIPTION	FINISH
1387003	AL55 KIT2 BLK	BLACK
1387004	AL55 KIT2 WHT	WHITE
1387005	AL55 KIT2 SC	SATIN CHROME

The model AL55 KIT2 denotes key + turn inside only with plain pull to outside. Can be snib locked from inside and dead-bolted using key when needed.

Key Cylinders are additional. Add Alspec 36mm Fix Cam Half Cylinder, see page 8.

Note: Use Alspec flat keeper.



AL55 KIT3

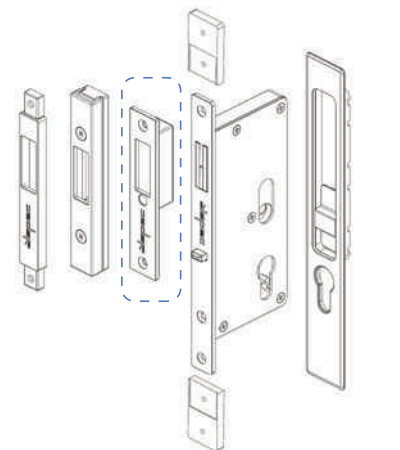
KEY + SNIB INSIDE ONLY, NOTHING TO OUTSIDE. GREAT FOR WINDOWS OR JULIETTE BALCONIES.

CODE	DESCRIPTION	FINISH
1387006	AL55 KIT3 BLK	BLACK
1387007	AL55 KIT3 WHT	WHITE
1387008	AL55 KIT3 SC	SATIN CHROME

The model AL55 KIT3 denotes key + turn inside only, nothing to the outside. Can be snib locked from the inside and dead-bolted using key when needed.

Key Cylinders are additional. Add Alspec 36mm Fix Cam Half Cylinder, see page 8.

Note: Use Alspec flat keeper.



ALSPEC FIXED CAM CYLINDERS

Key Features:

- 5 pin fixed cam euro cylinder.
- C4 keyway profile.
- Supplied with two keys.
- Non-handed cylinder.
- Keyed alike.
- Available in satin chrome & black finishes.

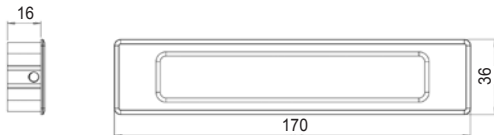


CYLINDER TYPE	LENGTH	CODE	DESCRIPTION	FINISH
HALF	33mm	1360291	ALSPEC FIXED CAM 33mm 3 PIN EURO HALF CYLINDER KEY A01	BLACK
HALF	33mm	1360226	ALSPEC FIXED CAM 33mm 3 PIN EURO HALF CYLINDER KEY A01	SATIN CHROME
HALF	36mm	1360227	ALSPEC FIXED CAM 36mm 4 PIN EURO HALF CYLINDER KEY A01	BLACK
HALF	36mm	1360229	ALSPEC FIXED CAM 36mm 4 PIN EURO HALF CYLINDER KEY A01	SATIN CHROME
HALF	42mm	1360237	ALSPEC FIXED CAM 42mm 5 PIN EURO HALF CYLINDER KEY A01	SATIN CHROME
HALF	42mm	1360279	ALSPEC FIXED CAM 42mm 5 PIN EURO HALF CYLINDER KEY A01	BLACK
HALF	44mm	1360231	ALSPEC FIXED CAM 44mm 5 PIN EURO HALF CYLINDER KEY A01	BLACK
HALF	44mm	1360233	ALSPEC FIXED CAM 44mm 5 PIN EURO HALF CYLINDER KEY A01	SATIN CHROME
HALF - C/TURN	42mm	1360238	ALSPEC FIXED CAM 42mm EURO HALF CYLINDER TURN	SATIN CHROME
HALF - C/TURN	42mm	1360281	ALSPEC FIXED CAM 42mm EURO HALF CYLINDER TURN	BLACK
DOUBLE	42mm	1379994	ALSPEC FIXED CAM 42mm 3 PIN EURO CYLINDER KEY A01	BLACK
DOUBLE	42mm	1379996	ALSPEC FIXED CAM 42mm 3 PIN EURO CYLINDER KEY A01	SATIN CHROME
DOUBLE	48mm	1379997	ALSPEC FIXED CAM 48mm 3 PIN EURO CYLINDER KEY A01	BLACK
DOUBLE	48mm	1379999	ALSPEC FIXED CAM 48mm 3 PIN EURO CYLINDER KEY A01	SATIN CHROME

* When picking white furniture, it is best to use satin chrome cylinders.

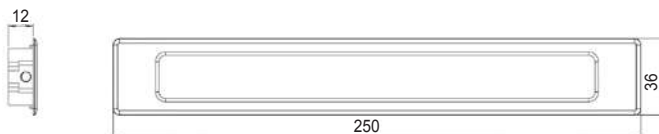
ALSPEC FLUSH PULLS

170mm Deep Flush Pull



CODE	DESCRIPTION	FINISH
1387018	ALSPEC 170mm DEEP FLUSH PULL	BLACK
1387019	ALSPEC 170mm DEEP FLUSH PULL	WHITE
1387020	ALSPEC 170mm DEEP FLUSH PULL	SATIN CHROME

250mm Flush Pull



CODE	DESCRIPTION	FINISH
1387021	ALSPEC 250mm FLUSH PULL	BLACK
1387022	ALSPEC 250mm FLUSH PULL	WHITE
1387023	ALSPEC 250mm FLUSH PULL	SATIN CHROME

**SYDNEY**

3 Alspec Place
Eastern Creek NSW 2766
Phone: 02 9834 9500
sydney@alspec.com.au

ADELAIDE

1 Pope Court
Beverley SA 5009
Phone: 08 8150 6960
adelaide@alspec.com.au

PERTH

30 Holder Way
Malaga WA 6090
Phone: 08 9209 9100
perth@alspec.com.au

SUNSHINE COAST

4-8 Empire Crescent
Chevallum QLD 4555
Phone: 07 5437 6123
sunshinecoast@alspec.com.au

BUNDABERG

17 Production Street
Svensson Heights QLD 4670
Phone: 07 4111 2000
bundaberg@alspec.com.au

MELBOURNE

26-40 Pound Road West
Dandenong South VIC 3175
Phone: 03 8787 6333
melbourne@alspec.com.au

DARWIN

25 Bishop Street
Woolner NT 0820
Phone: 08 8941 7300
darwin@alspec.com.au

NEWCASTLE

95 Griffiths Road
Lambton NSW 2299
Phone: 02 4952 9111
newcastle@alspec.com.au

TOWNSVILLE

21 Carroll Street
Mount Louisa QLD 4814
Phone: 07 3089 4965
townsville@alspec.com.au

CARRUM DOWNS

99 Frankston Gardens Drive
Carrum Downs VIC 3201
Phone: 03 9775 1223
carrumdowns@alspec.com.au

BRISBANE

8-22 Jutland Street
Loganlea QLD 4131
Phone: 07 3089 4900
brisbane@alspec.com.au

CANBERRA

28 Sheppard Street
Hume ACT 2620
Phone: 02 5134 3300
canberra@alspec.com.au

BRENDALE

24 Doherty Street
Brendale QLD 4500
Phone: 07 3205 9911
brendale@alspec.com.au

CAIRNS

34-38 Hargreaves Street
Edmonton QLD 4869
Phone: 07 4037 6666
cairns@alspec.com.au

Call 1300 ALSPEC (1300 257 732)
alspec.com.au